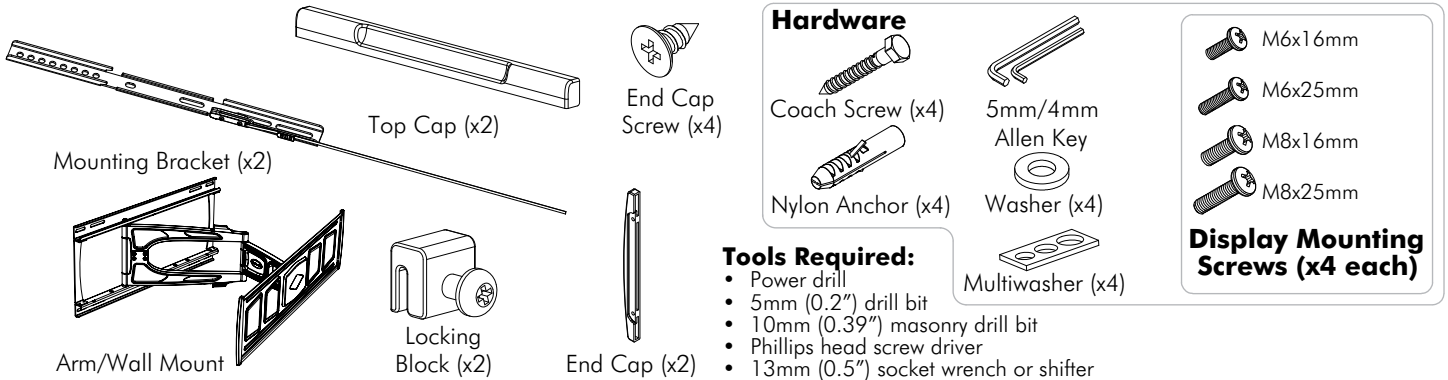


Component Checklist



IMPORTANT INFORMATION:

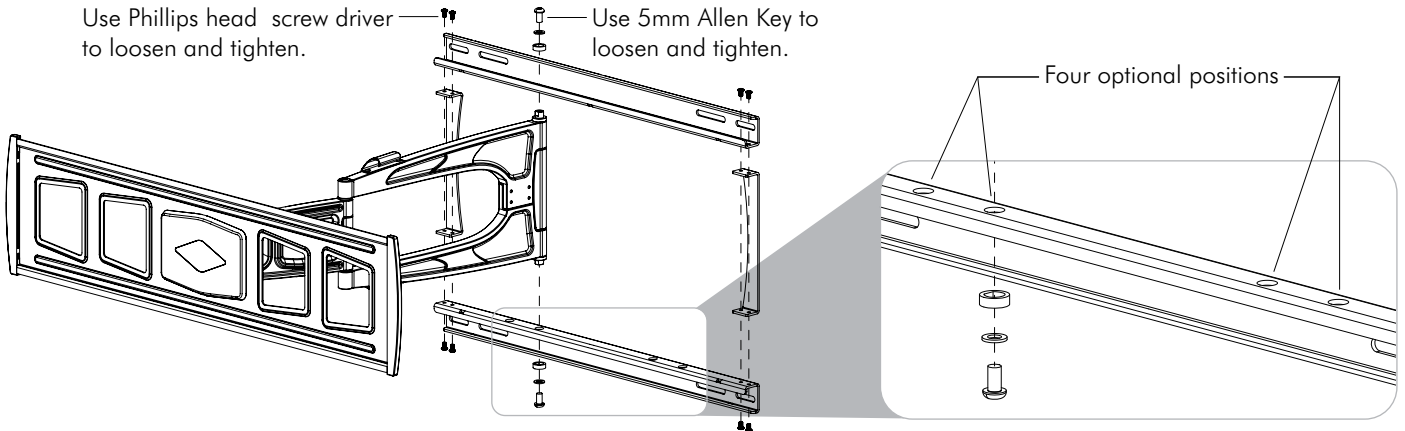
- ! IMPORTANT - Install Telehook 3060 Large-Medium TV Articulated Arm per Installation Instructions.**
- ! This product supports a maximum load of 35kg (77lbs).
- ! This product supports VESA mounting hole configurations 200mm wide x100mm high to 700mm wide x 500mm high.
- ! The manufacturer accepts no responsibility for incorrect installation.

Step 1. Check Components

Check you have received all parts against the Component Checklist and Hardware above.

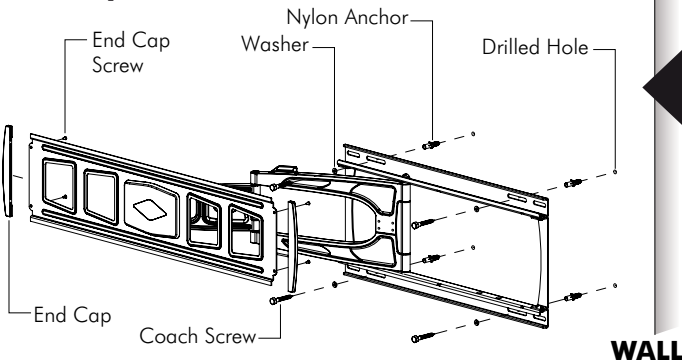
Step 2. Changing position of Arm on Wall Mount

Use Phillips head screw driver to loosen and tighten. Use 5mm Allen Key to loosen and tighten.



Step 3. Install Arm/Wall Mount to the Wall

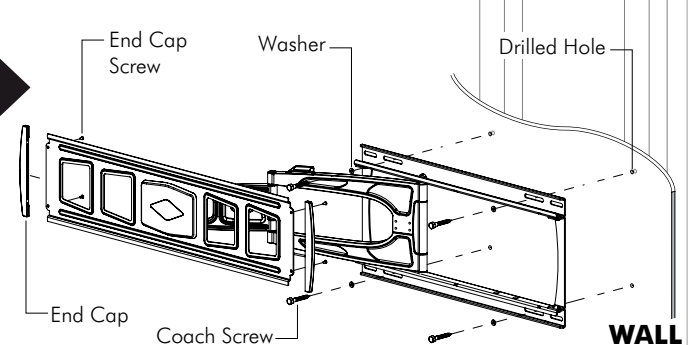
Masonry Wall



- Drill four 10mm (0.39") diameter holes, 58mm (2.3") deep.
- Secure the mounting plate to the wall using the Coach Screws and Nylon Anchors supplied.



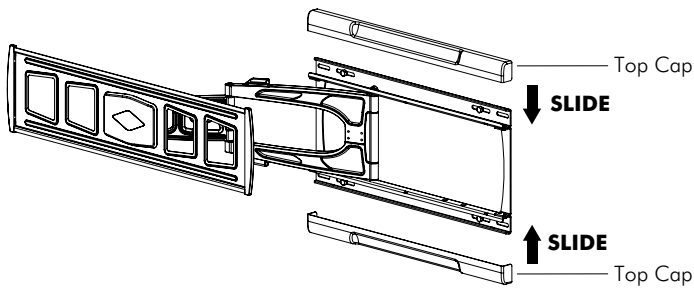
Timber Stud Wall



- Drill four 5mm (0.2") diameter holes, 58mm (2.3") deep.
- Secure the mounting plate to the wall using the Coach Screws supplied.

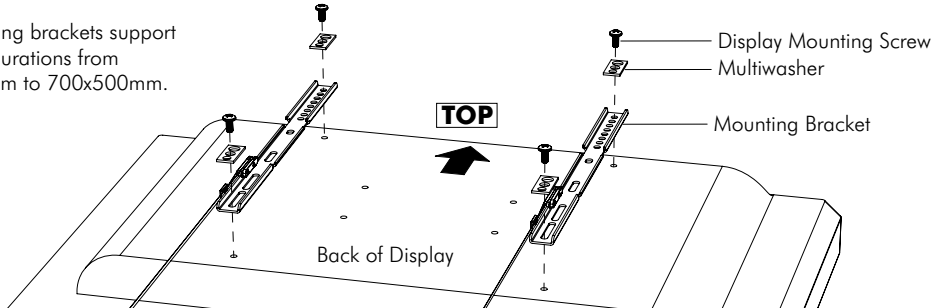
NOTE: Use a stud finder to accurately locate the centre of the stud. Ensure that all screws fix securely into stud.

Step 4. Attach Top Caps to the installed Arm/Wall Mount

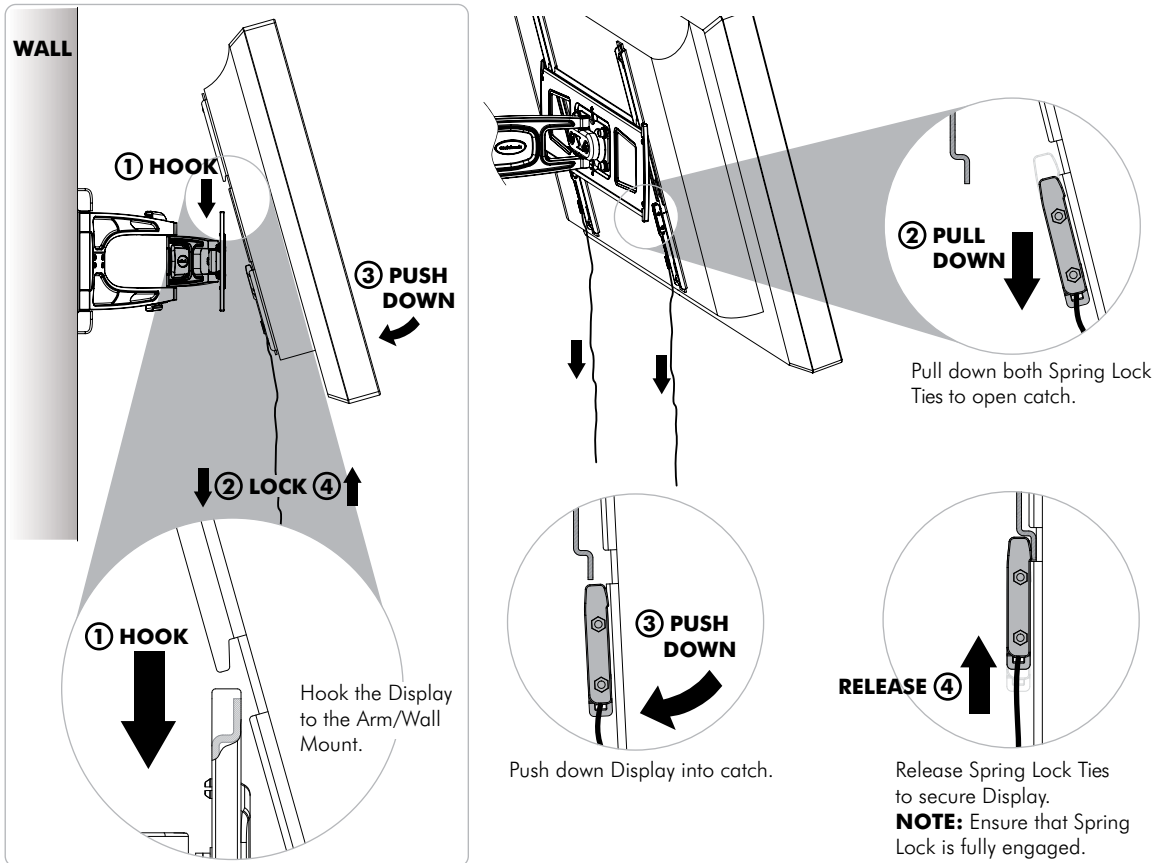


Step 5. Attaching Mounting Brackets to Display

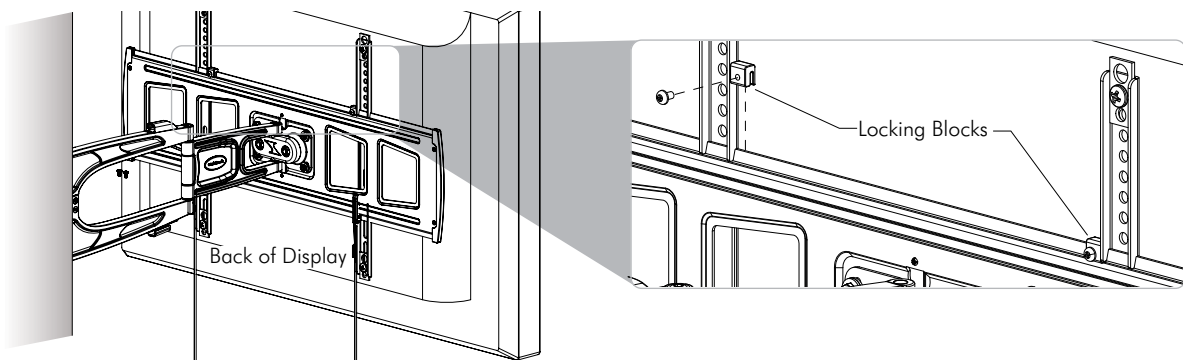
The mounting brackets support hole configurations from 200x100mm to 700x500mm.



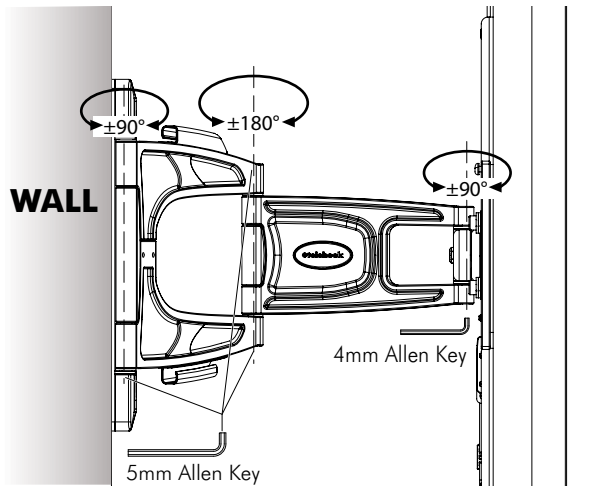
Step 6. Attaching/Detaching Display to the installed Arm (2 people required)



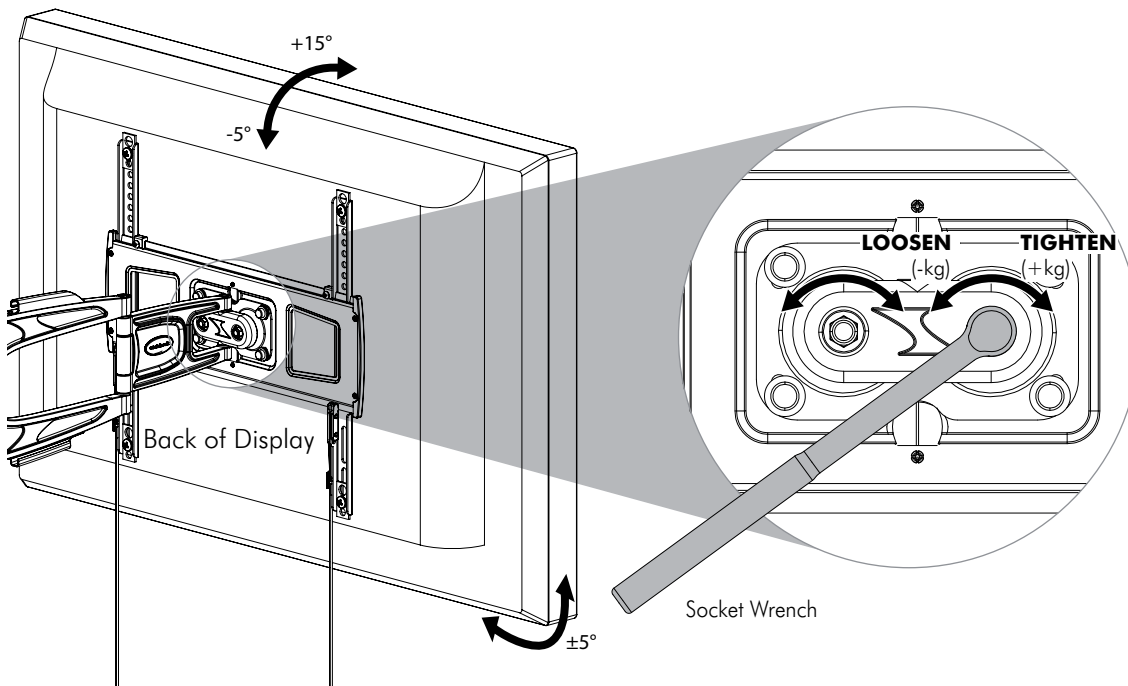
Step 7. Attach Locking Blocks to fully secure the Display



Step 7. Adjust Arm movement if necessary



Step 8. Adjust tilt and roll if necessary



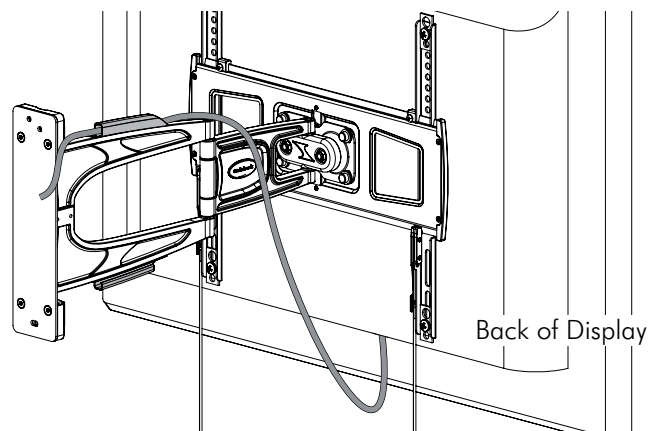
Position your display to the desired viewing angle using the angular movement allowed by the double ball mount.

Depending on the weight of the Display, it may be necessary to make adjustments to the double ball mount. If the display does not hold its position, or is too resistant, adjust the tension plate located at the rear of the double ball mount.

To adjust the tension plate, apply half a turn at a time to each nut. ENSURE NUTS ARE ADJUSTED EVENLY.

CHECK THE DISPLAY, and then adjust again if necessary.

Step 9. Cable Management



Installation Complete

