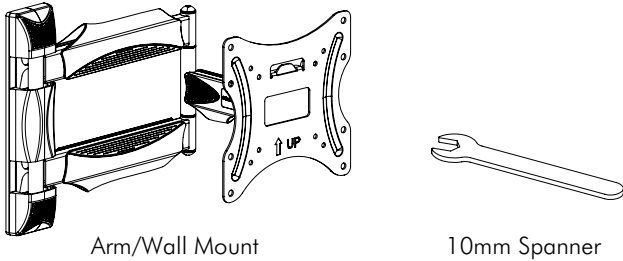
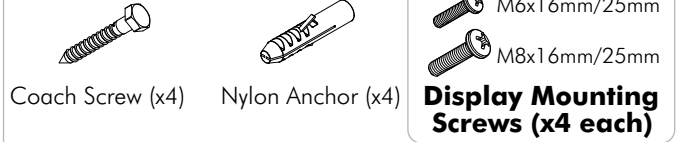


## Component Checklist



### Hardware



### Tools Required:

- Power drill
- 4.5mm (0.18") drill bit
- 10mm (0.39") masonry drill bit
- 12mm (0.47") socket wrench or shifter

## IMPORTANT INFORMATION:

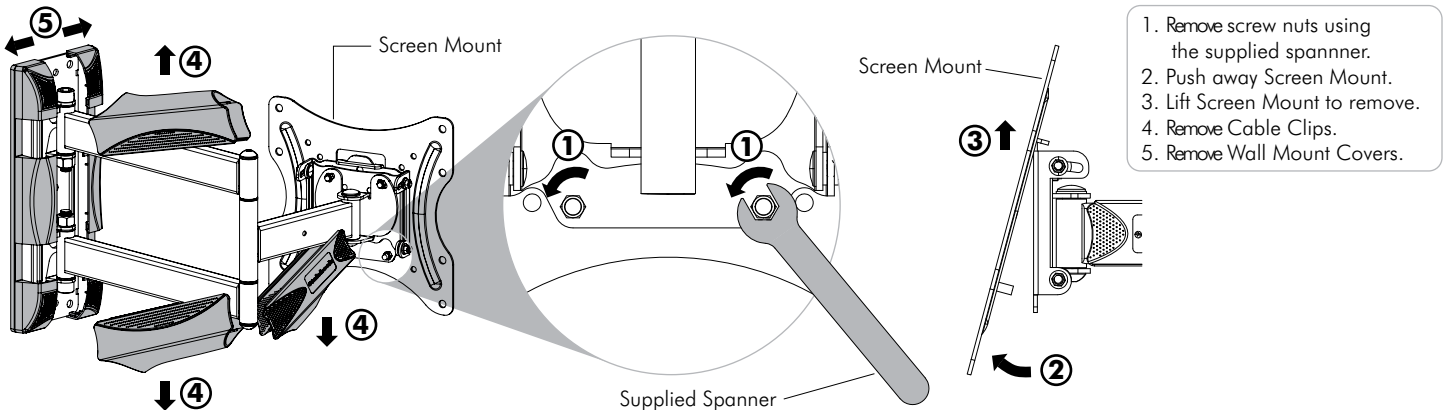
**! IMPORTANT - Install Telehook 1040 Small-Medium TV Articulated Arm per Installation Instructions.**

- ! This product supports a maximum load of 27kg (60lbs).
- ! This product supports VESA mounting hole configurations: 100x100mm, 100x200mm, and 200x200mm.
- ! The manufacturer accepts no responsibility for incorrect installation.

## Step 1. Check Components

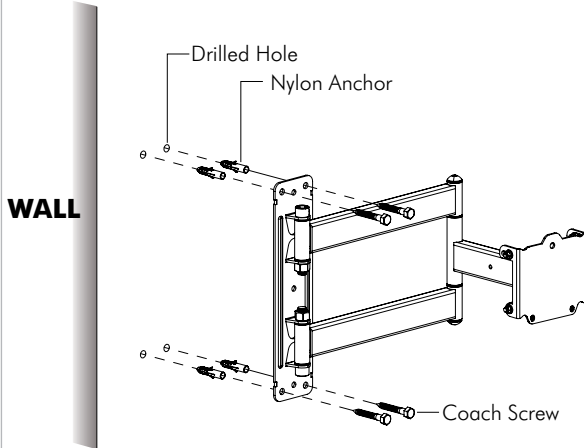
Check you have received all parts against the Component Checklist and Hardware above.

## Step 2. Remove Screen Mount, Cable Clips, and Wall Mount Covers.



## Step 3. Install Arm/Wall Mount to the Wall

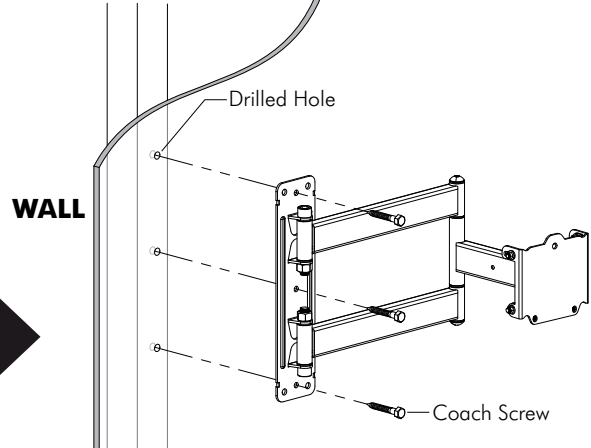
### Masonry Wall



- Drill three 10mm (0.39") diameter holes, 80mm (3.15") deep.
- Secure the mounting plate to the wall using the Coach Screws and Nylon Anchors supplied.



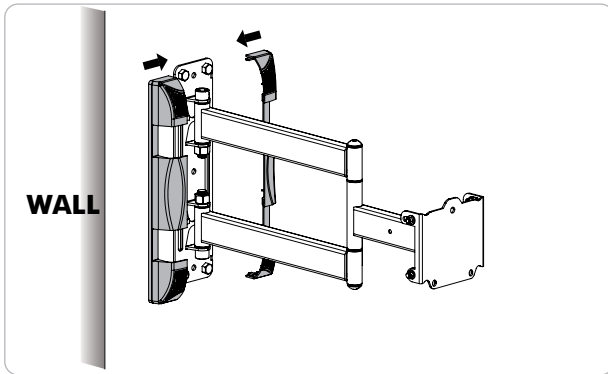
### Timber Stud Wall



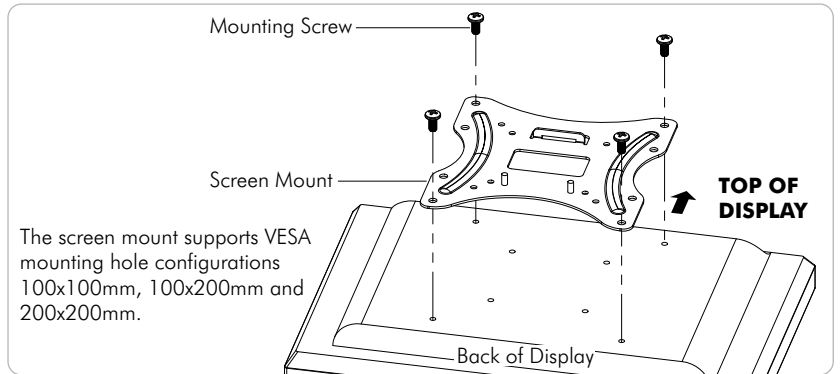
- Drill three 4.5mm (0.18") diameter holes, 80mm (3.15") deep.
- Secure the mounting plate to the wall using the Coach Screws supplied.

**NOTE:** Use a stud finder to accurately locate the centre of the stud. Ensure that all screws fixed securely into stud.

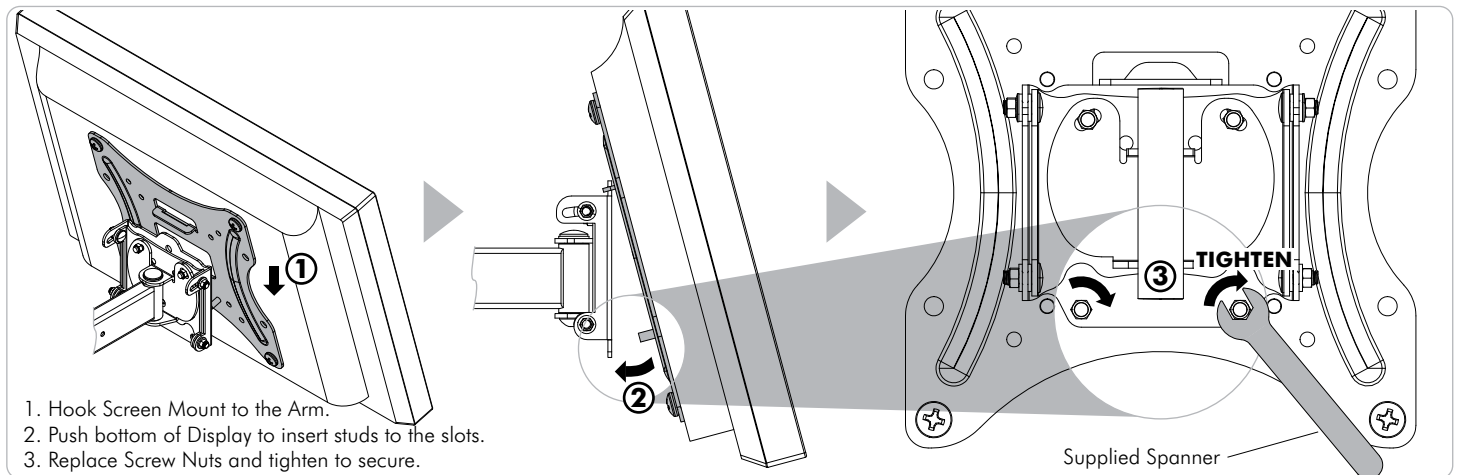
### Step 4. Attach Wall Mount Covers



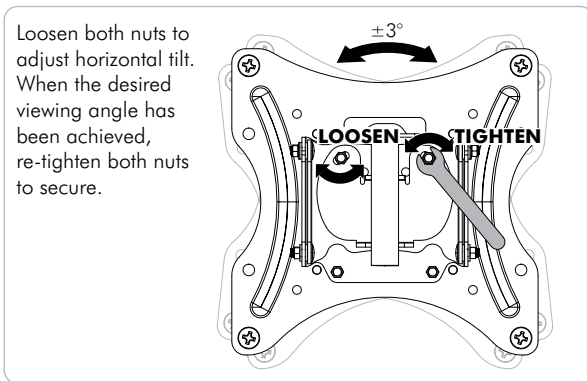
### Step 5. Attach Screen Mount to Display



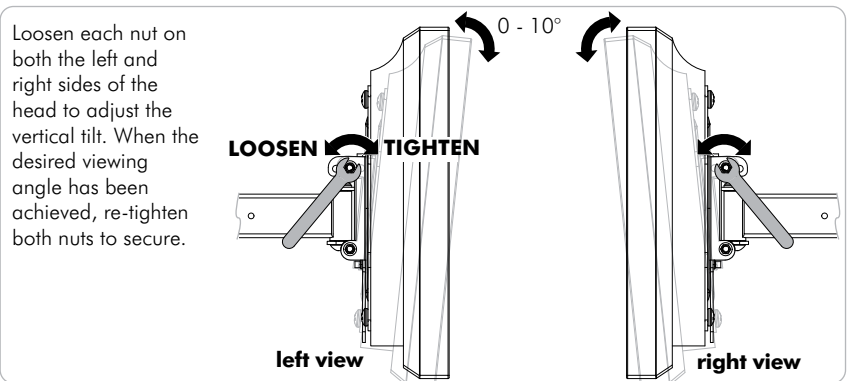
### Step 6. Attach Display to the Arm



### Step 7. Horizontal Adjustment

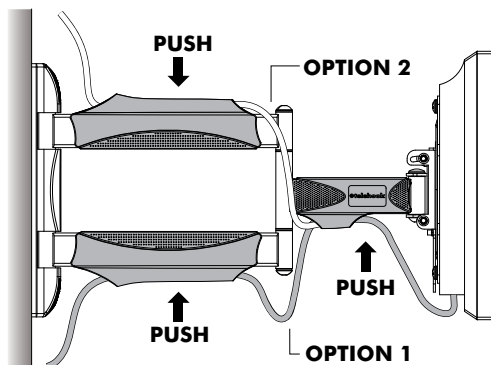


### Step 8. Vertical Adjustment



### Step 9. Cable Management

Re-attach Cable Management Clips, by pushing over arm section. Ensure sufficient slack is left around joints.



### Installation Complete



No portion of this document or any artwork contained herein should be reproduced in any way without the express written consent of Atdec Pty Ltd. Due to continuing product development, the manufacturer reserves the right to alter specifications without notice. Published 07.05.12 ©