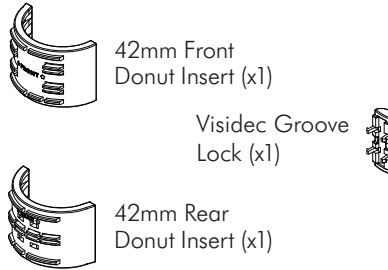
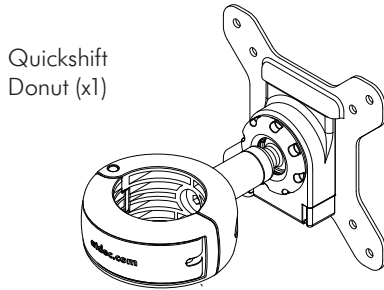


! The Spacedec Display Quickshift Donut is to be used on 42mm and 50mm diameter poles only.

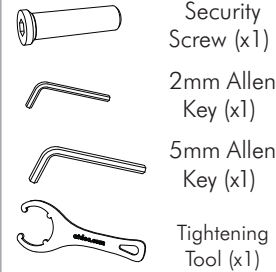
! The Manufacturer accepts no responsibility for incorrect installation.

Component Checklist

Check you have received all parts against this Component Checklist prior to installation.



Hardware



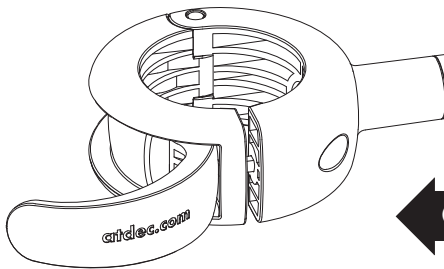
Mounting Screws



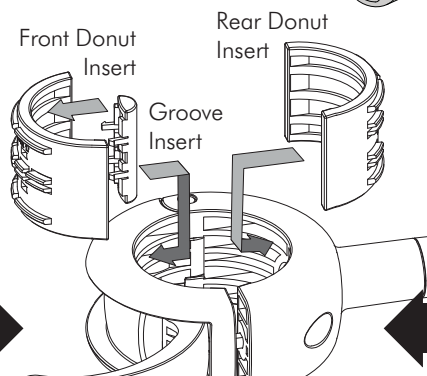
Step 1. Install Quickshift Donut

Select your correct product configuration: A, B, or C.

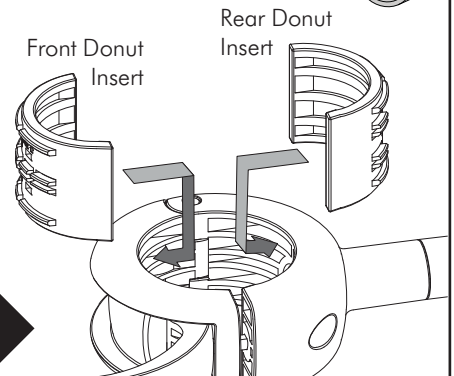
A. Use this configuration with a **standard 50mm pole** (No inserts required)



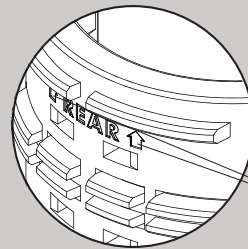
B. Use this configuration with a **Visidec 42mm extrusion pole**



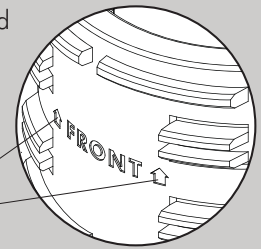
C. Use this configuration with a **standard 42mm pole**



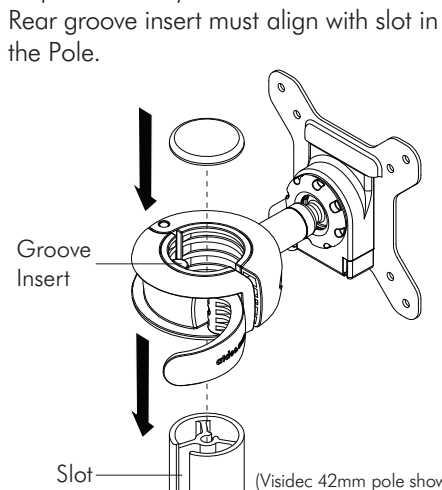
Note: Ensure inserts are fitted in correct orientation.



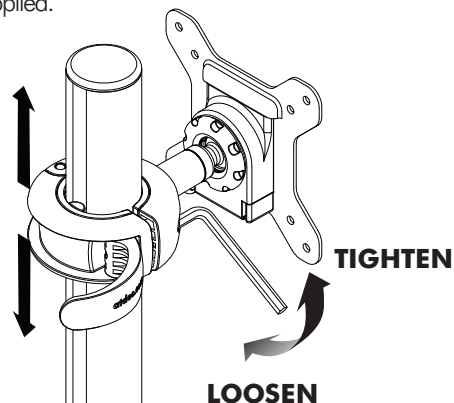
Arrows point to top surface



Slide the Quickshift Donut onto the pole (with the lever open), removing the End Cap if necessary. Rear groove insert must align with slot in the Pole.

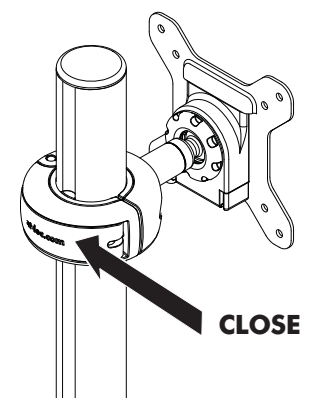


Slide the Quickshift Donut into the desired position. If necessary, adjust the tension between the Quickshift Donut and the Pole using the 5mm Allen Key supplied.



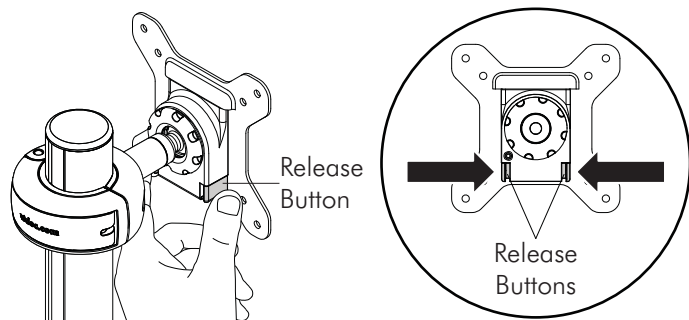
WARNING: Be careful not to overtighten

Once in place, close the lever to lock the Quickshift Donut in the desired position.

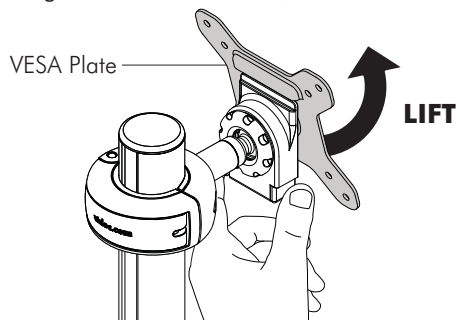


Step 2. Remove VESA plate from Quickshift Donut

Press and hold the Release Buttons (one on either side).



Whilst holding the Release Buttons, remove the VESA Plate.



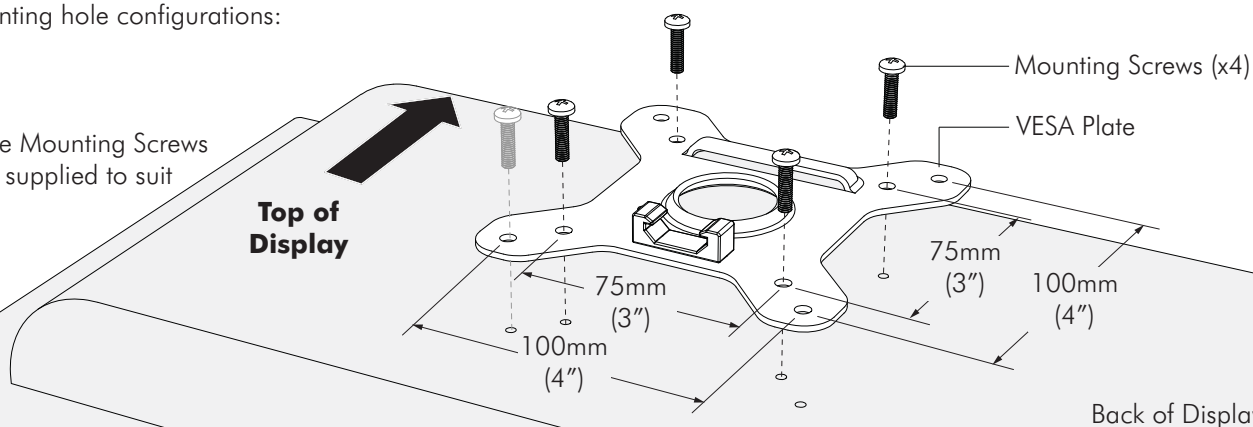
Step 3. Attach the VESA plate to your Display

There are two mounting hole configurations:

- 75 x 75mm
- 100 x 100mm

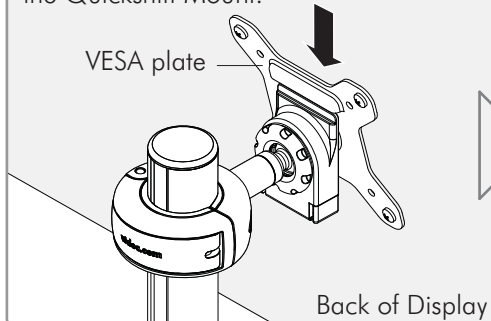
Choose appropriate Mounting Screws from the Hardware supplied to suit your Display.

Top of Display

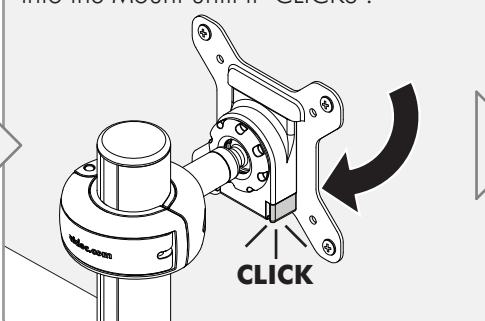


Step 4. Attach your Display to the Quickshift Donut

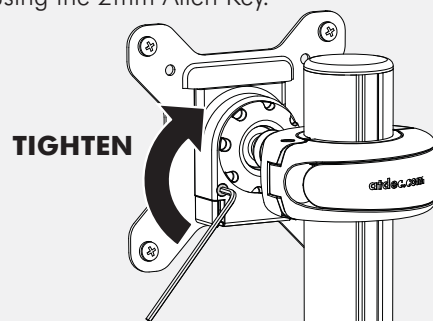
Hook the top of the VESA plate onto the Quickshift Mount.



Gently push the bottom of the Display into the Mount until it 'CLICKS'.



Insert the Security Screw, and tighten using the 2mm Allen Key.



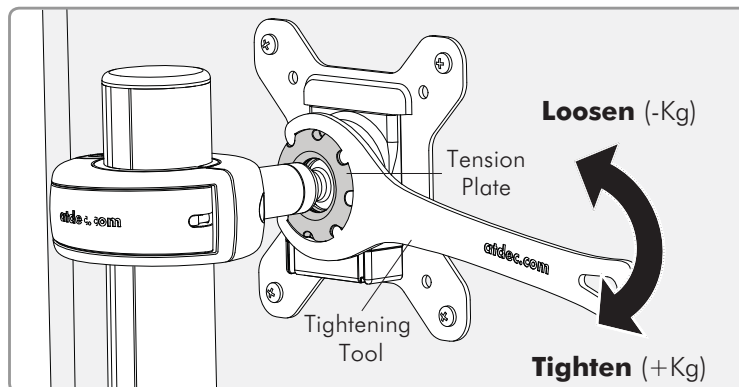
Step 5. Adjusting the VESA Ball Mount

Position your Display to the desired viewing angle, using the 40° angular movement allowed by the VESA Ball Mount.

Depending on the weight of the display, it may be necessary to make adjustments to the VESA Ball Mount. If the display does not hold its position, or is too resistant, adjust the Tension Plate located at the rear of the VESA Ball Mount (see diagram right).

To make any adjustments, use the Tightening Tool supplied.

Check the display, and then adjust again if necessary.



Installation Complete

