

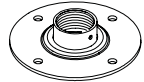
TH-1040-CTS
TH-1040-CTSW
TH-1040-CTL
TH-1040-CTLW

Installation Instructions

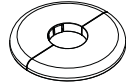
telehook

Ceiling Tilt Short Mount / Ceiling Tilt Long Mount

Component Checklist



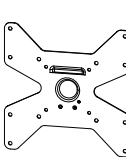
Mounting Plate



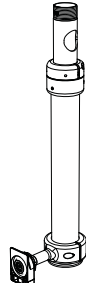
False Ceiling Cover



Mounting Plate Cover



VESA Plate



Pole Assembly

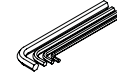


Tension Tool

Hardware



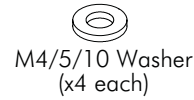
Coach Screw (x4)



2/2.5/3/5mm
Allen Key



Nylon Anchor (x4)



M4/5/10 Washer
(x4 each)



M4/5 Spacer (x4)



M5/6 Spacer (x4)



Security Screw



Set Screw



M4x16/25mm (x4 each)



M5x16/25mm (x4 each)



M6x16/30mm (x4 each)

Display Mounting Screws

Tools Required:

- Power drill
- 7mm (1/4") drill bit
- 12mm (1/2") masonry drill bit
- Phillips head screw driver
- 17mm (11/16") Socket Wrench or Shifter

IMPORTANT INFORMATION:

! IMPORTANT - Install Telehook 1040 Ceiling Tilt Mount (Short/Long) as per Installation Instructions.

! This product supports a maximum load of 25kg (55lbs).

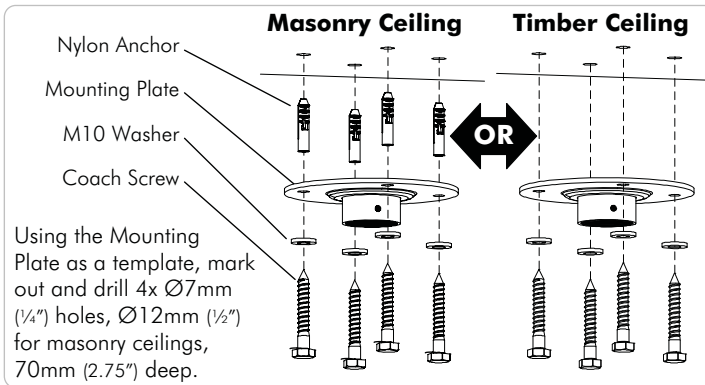
! This product supports VESA mounting hole configurations 75x75mm, 100x100mm, 200x100mm, 200x200mm.

! The manufacturer accepts no responsibility for incorrect installation.

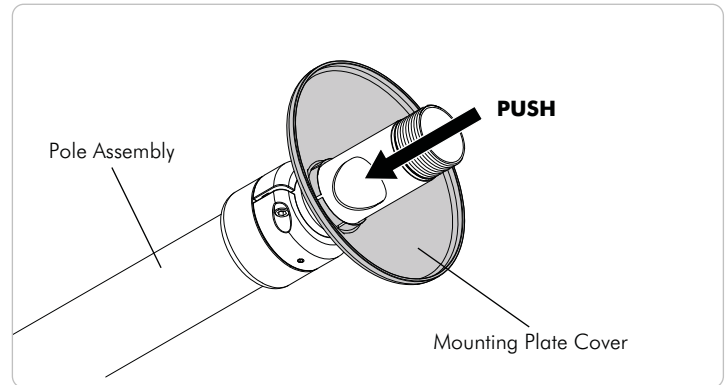
Step 1. Check Components

Check you have received all parts against the Component Checklist and Hardware above.

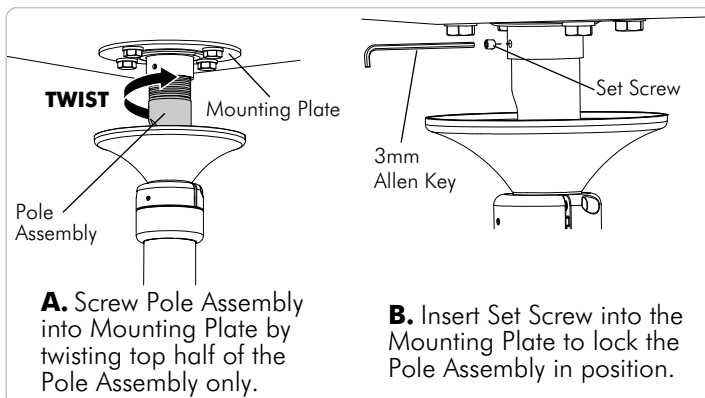
Step 2. Install Mounting Plate



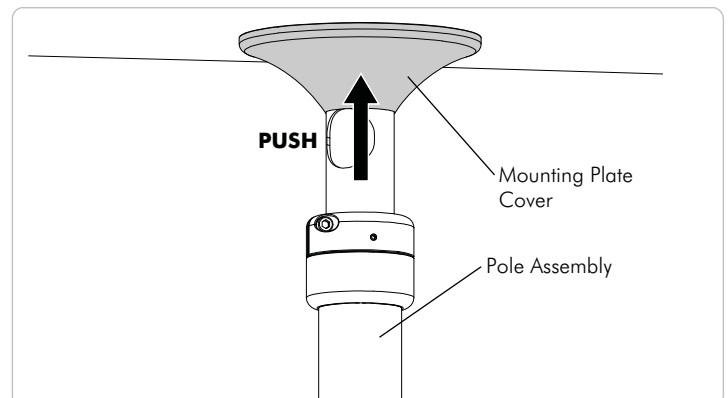
Step 3. Install Mounting Plate Cover



Step 4. Attach Pole Assembly to Mounting Plate

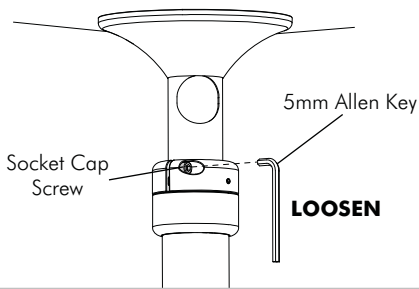


Step 5. Position Mounting Plate Cover

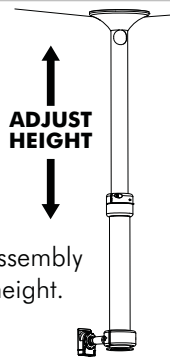


Step 6. Set Height of Pole

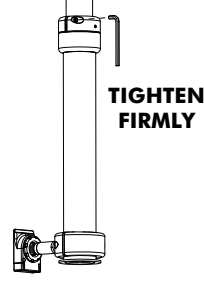
A. Whilst supporting the lower half of Pole Assembly loosen the Socket Cap Screws (x2).



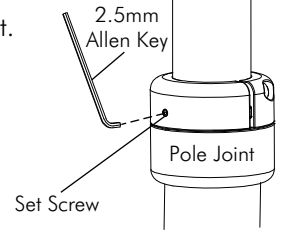
B. Slide Pole Assembly to the desired height.



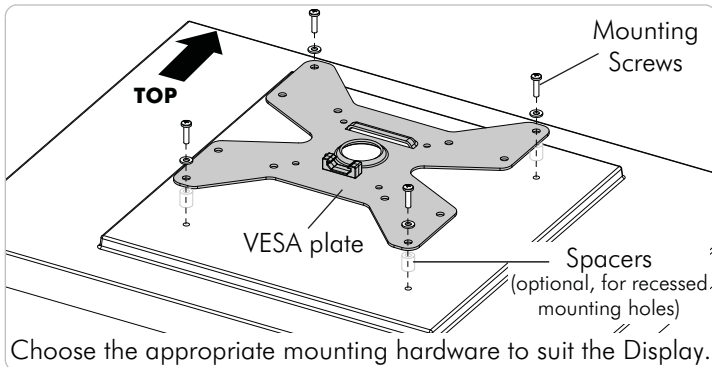
C. Tighten the Socket Cap Screws (x2) to set the height.



D. If necessary, centralise the Pole Joint by tightening the Set Screws (x2) to suit.

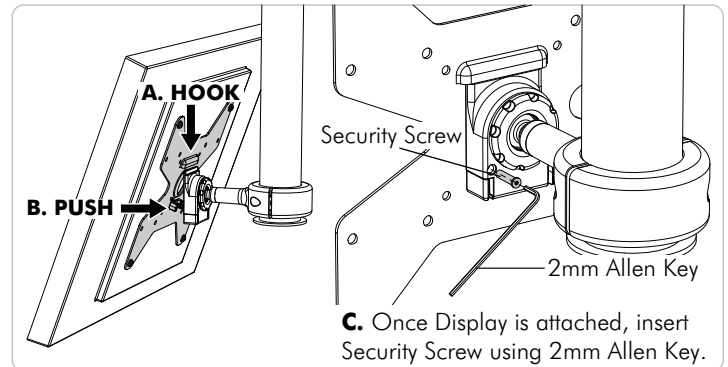


Step 7. Attach VESA Plate to Display



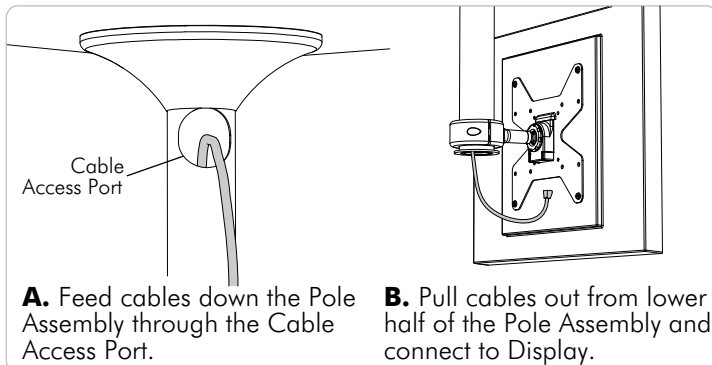
Choose the appropriate mounting hardware to suit the Display.

Step 8. Attach Display to Pole Assembly



C. Once Display is attached, insert Security Screw using 2mm Allen Key.

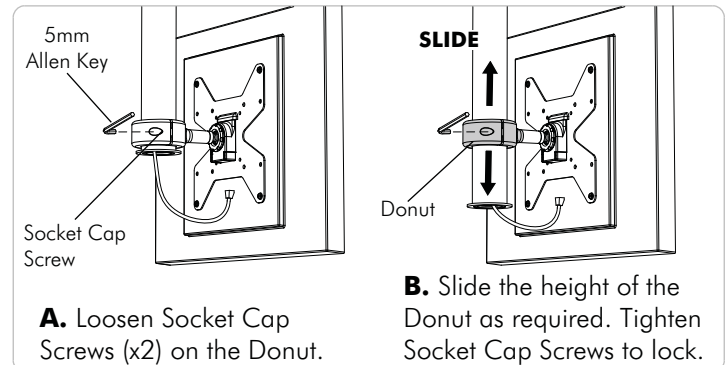
Step 9. Cable Management



A. Feed cables down the Pole Assembly through the Cable Access Port.

B. Pull cables out from lower half of the Pole Assembly and connect to Display.

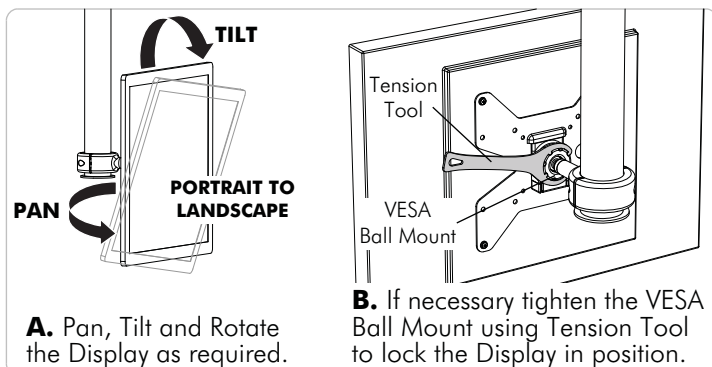
Step 10. Height Adjustment



A. Loosen Socket Cap Screws (x2) on the Donut.

B. Slide the height of the Donut as required. Tighten Socket Cap Screws to lock.

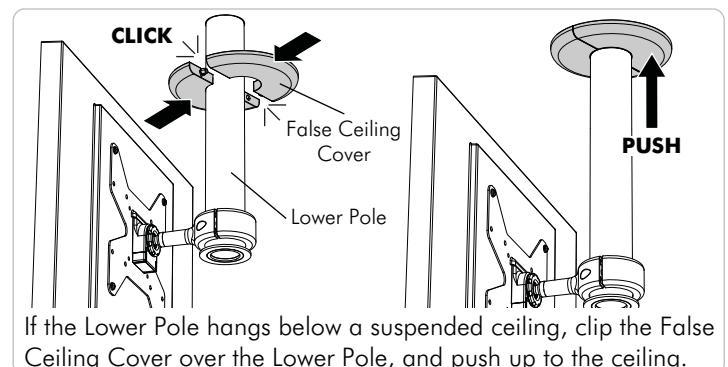
Step 11. Final Adjustment



A. Pan, Tilt and Rotate the Display as required.

B. If necessary tighten the VESA Ball Mount using Tension Tool to lock the Display in position.

Step 12. Install False Ceiling Cover



If the Lower Pole hangs below a suspended ceiling, clip the False Ceiling Cover over the Lower Pole, and push up to the ceiling.

Installation Complete

