



HP Color LaserJet Professional CP5220 Series Printer User Guide





HP Color LaserJet CP5220 Series Printer

User Guide

Copyright and License

© 2009 Copyright Hewlett-Packard Development Company, L.P.

Reproduction, adaptation, or translation without prior written permission is prohibited, except as allowed under the copyright laws.

The information contained herein is subject to change without notice.

The only warranties for HP products and services are set forth in the express warranty statements accompanying such products and services. Nothing herein should be construed as constituting an additional warranty. HP shall not be liable for technical or editorial errors or omissions contained herein.

Part number: CE710-90921

Edition 2, 10/2009

Trademark Credits

Adobe®, Acrobat®, and PostScript® are trademarks of Adobe Systems Incorporated.

Corel® is a trademark or registered trademark of Corel Corporation or Corel Corporation Limited.

Microsoft®, Windows®, and Windows®XP are U.S. registered trademarks of Microsoft Corporation.

Windows Vista® is either a registered trademark or trademark of Microsoft Corporation in the United States and/or other countries.

UNIX® is a registered trademark of The Open Group.

ENERGY STAR and the ENERGY STAR mark are registered U.S. marks.

Table of contents

| | |
|--|-----------|
| 1 Product basics | 1 |
| Product comparison | 2 |
| Environmental features | 3 |
| Product features | 4 |
| Product views | 5 |
| Front and side view | 5 |
| Back view | 6 |
| Model and serial numbers | 6 |
| 2 Control panel | 7 |
| Control-panel layout | 8 |
| Control-panel menus | 9 |
| Use the menus | 9 |
| Reports menu | 9 |
| System Setup menu | 11 |
| Service menu | 14 |
| Network Configuration menu | 15 |
| 3 Software for Windows | 17 |
| Supported operating systems for Windows | 18 |
| Supported printer drivers for Windows | 18 |
| HP Universal Print Driver (UPD) | 18 |
| Priority for print settings | 19 |
| Change printer-driver settings for Windows | 19 |
| Install the Windows software | 20 |
| Software installation types for Windows | 20 |
| Remove software for Windows | 20 |
| Supported utilities | 21 |
| HP Web Jetadmin | 21 |
| Embedded Web server | 21 |
| HP ToolboxFX | 22 |
| Other Windows components and utilities | 22 |

| | |
|---|-----------|
| 4 Use the product with Macintosh | 23 |
| Software for Macintosh | 24 |
| Supported operating systems for Macintosh | 24 |
| Supported printer drivers for Macintosh | 24 |
| Remove software from Macintosh operating systems | 24 |
| Priority for print settings for Macintosh | 24 |
| Change printer-driver settings for Macintosh | 25 |
| Supported utilities for Macintosh | 25 |
| View embedded Web server using a Macintosh | 25 |
| Use features in the Macintosh printer driver | 26 |
| Create and use printing presets in Macintosh | 26 |
| Resize documents or print on a custom paper size | 26 |
| Print a cover page | 26 |
| Use watermarks | 27 |
| Print multiple pages on one sheet of paper in Macintosh | 27 |
| Print on both sides of the page (duplex printing) | 27 |
| Set the color options | 28 |
| Use the Services menu | 28 |
| | |
| 5 Connectivity | 29 |
| Supported network operating systems | 30 |
| Printer sharing disclaimer | 30 |
| USB connection | 31 |
| Supported network protocols | 31 |
| Configure the product on the network | 33 |
| Set up the product on the network | 33 |
| View settings | 33 |
| Network summary report | 33 |
| Configuration page | 33 |
| TCP/IP | 34 |
| IP address | 34 |
| Configure IP parameters | 34 |
| Dynamic Host Configuration Protocol (DHCP) | 34 |
| BOOTP | 34 |
| Subnets | 34 |
| Subnet mask | 35 |
| Gateways | 35 |
| Default gateway | 35 |
| IP address | 35 |
| Manual configuration | 35 |
| Automatic configuration | 36 |
| Show or hide the IP address on the control panel | 36 |
| Set automatic crossover | 36 |

| | |
|--|-----------|
| Set network services | 36 |
| Set the link speed | 36 |
| Restore defaults (network settings) | 37 |
| 6 Paper and print media | 39 |
| Understand paper and print media use | 40 |
| Supported paper and print media sizes | 41 |
| Supported paper types and tray capacity | 43 |
| Supported paper sizes for duplex printing | 44 |
| Special paper or print media guidelines | 45 |
| Load trays | 46 |
| 7 Print tasks | 49 |
| Cancel a print job | 50 |
| Cancel the current print job at the product control panel | 50 |
| Cancel the current print job from the software program | 50 |
| Use features in the Windows printer driver | 51 |
| Open the printer driver | 51 |
| Use printing shortcuts | 51 |
| Set paper and quality options | 51 |
| Set document effects | 51 |
| Set document finishing options | 52 |
| Manually printing on both sides | 52 |
| Print a booklet | 54 |
| Print multiple pages per sheet | 54 |
| Select page orientation | 54 |
| Obtain support and product-status information | 54 |
| Set advanced printing options | 54 |
| 8 Color for Windows | 57 |
| Manage color | 58 |
| Automatic | 58 |
| Print in Grayscale | 58 |
| Manual color adjustment | 58 |
| Manual color options | 58 |
| Color themes | 58 |
| Match colors | 60 |
| Match colors using the Microsoft Office Basic Colors palette | 60 |
| Match colors using the HP Basic Color Match tool | 60 |
| Match colors using View Custom Colors | 61 |
| Advanced color use | 62 |
| HP ColorSphere toner | 62 |
| HP ImageREt 3600 | 62 |

| | |
|--------------------------------------|----|
| Media selection | 62 |
| Color options | 62 |
| Standard red-green-blue (sRGB) | 62 |

9 Manage and maintain 65

| | |
|--|----|
| Information pages | 66 |
| HP ToolboxFX | 67 |
| Open HP ToolboxFX | 67 |
| Status | 68 |
| Event log | 68 |
| Alerts | 69 |
| Set up Status Alerts | 69 |
| Set up E-mail Alerts | 69 |
| Product information | 69 |
| Set password | 69 |
| Help | 70 |
| System Settings | 71 |
| Device Information | 71 |
| Paper Setup | 72 |
| Print Quality | 73 |
| Print Density | 73 |
| Paper Types | 73 |
| Extended Print Modes | 73 |
| System Setup | 73 |
| Save/Restore Settings | 73 |
| Product Security | 74 |
| Print Settings | 74 |
| Printing | 74 |
| PCL5 | 74 |
| PostScript | 74 |
| Network Settings | 74 |
| Shop for Supplies | 74 |
| Other Links | 74 |
| Embedded Web server | 76 |
| View the HP Embedded Web Server | 76 |
| Embedded Web server sections | 77 |
| Manage supplies | 79 |
| Supplies life | 79 |
| Print-cartridge storage | 79 |
| HP policy on non-HP print cartridges | 79 |
| HP fraud hotline and Web site | 79 |
| Print when cartridge is at estimated end of life | 80 |
| Change print cartridges | 81 |

| | |
|--|------------|
| Memory and font DIMMs | 84 |
| Product memory | 84 |
| Install memory and font DIMMs | 84 |
| Enable memory | 88 |
| Enable memory for Windows | 88 |
| Check DIMM installation | 88 |
| Clean the product | 88 |
| Firmware updates | 89 |
| 10 Solve problems | 91 |
| Basic troubleshooting checklist | 92 |
| Factors that affect product performance | 92 |
| Interpret control-panel and status-alert messages | 93 |
| Restore factory settings | 100 |
| Clear jams | 101 |
| Common causes of jams | 101 |
| Jam locations | 102 |
| Change Jam Recovery setting | 102 |
| Clear jams in the right door | 103 |
| Clear jams in the output bin area | 107 |
| Clear jams in Tray 1 | 107 |
| Clear jams in Tray 2 | 109 |
| Clear jams in the optional 500-sheet paper and heavy media tray (Tray 3) | 110 |
| Clear jams in the lower right door (Tray 3) | 111 |
| Solve image-quality problems | 112 |
| Identify and correct print defects | 112 |
| Print-quality checklist | 112 |
| General print quality issues | 113 |
| Solve issues with color documents | 117 |
| Use HP ToolboxFX to troubleshoot print-quality problems | 119 |
| Optimize and improve print quality | 120 |
| Calibrate the product | 120 |
| Solve performance problems | 121 |
| Product software problems | 122 |
| Solve common Windows problems | 123 |
| Solve Macintosh problems | 124 |
| Solve problems with Mac OS X | 124 |
| Appendix A Supplies and accessories | 127 |
| Order parts, accessories, and supplies | 128 |
| Part numbers | 128 |

| | |
|---|------------|
| Appendix B Service and support | 129 |
| Hewlett-Packard limited warranty statement | 130 |
| Print cartridge limited warranty statement | 131 |
| End User License Agreement | 132 |
| Customer self-repair warranty service | 134 |
| Customer support | 135 |
| Repack the product | 135 |
| Service information form | 136 |
| | |
| Appendix C Specifications | 137 |
| Physical specifications | 138 |
| Power consumption, electrical specifications, and acoustic emissions | 138 |
| Environmental specifications | 138 |
| | |
| Appendix D Regulatory information | 139 |
| FCC regulations | 140 |
| Environmental product stewardship program | 141 |
| Protecting the environment | 141 |
| Ozone production | 141 |
| Power consumption | 141 |
| Toner consumption | 141 |
| Paper use | 141 |
| Plastics | 141 |
| HP LaserJet print supplies | 141 |
| Return and recycling instructions | 142 |
| United States and Puerto Rico | 142 |
| Multiple returns (more than one cartridge) | 142 |
| Single returns | 142 |
| Shipping | 142 |
| Non-U.S. returns | 142 |
| Material restrictions | 142 |
| Disposal of waste equipment by users in private households in the European Union | 143 |
| Chemical substances | 143 |
| Material Safety Data Sheet (MSDS) | 143 |
| For more information | 143 |
| Declaration of conformity | 144 |
| Safety statements | 145 |
| Laser safety | 145 |
| Canadian DOC regulations | 145 |
| VCCI statement (Japan) | 145 |
| Power cord instructions | 145 |
| Power cord statement (Japan) | 145 |

EMC statement (Korea) 145
Laser statement for Finland 146
Substances Table (China) 147

Index 149

1 Product basics

- [Product comparison](#)
- [Environmental features](#)
- [Product features](#)
- [Product views](#)

Product comparison

Base models

- Prints up to 20 pages per minute (ppm) on letter-size and A4-size media.
- 100-sheet multipurpose tray (Tray 1) and 250-sheet input tray (Tray 2)
- Optional 500-sheet input tray (Tray 3)
- Hi-Speed universal serial bus (USB) 2.0 port

Network models

- Prints up to 20 ppm on letter-size and A4-size media.
- 100-sheet multipurpose tray (Tray 1) and 250-sheet input tray (Tray 2)
- Optional 500-sheet input tray (Tray 3)
- Hi-Speed universal serial bus (USB) 2.0 port
- Built-in 10/100 Base-T network port with IPv4/IPv6

Duplex models

- Prints up to 10 ppm on letter-size and A4-size media.
- 100-sheet multipurpose tray (Tray 1) and 250-sheet input tray (Tray 2)
- Optional 500-sheet input tray (Tray 3)
- Hi-Speed universal serial bus (USB) 2.0 port
- Built-in 10/100 Base-T network port with IPv4/IPv6
- Automatic duplexer

Environmental features

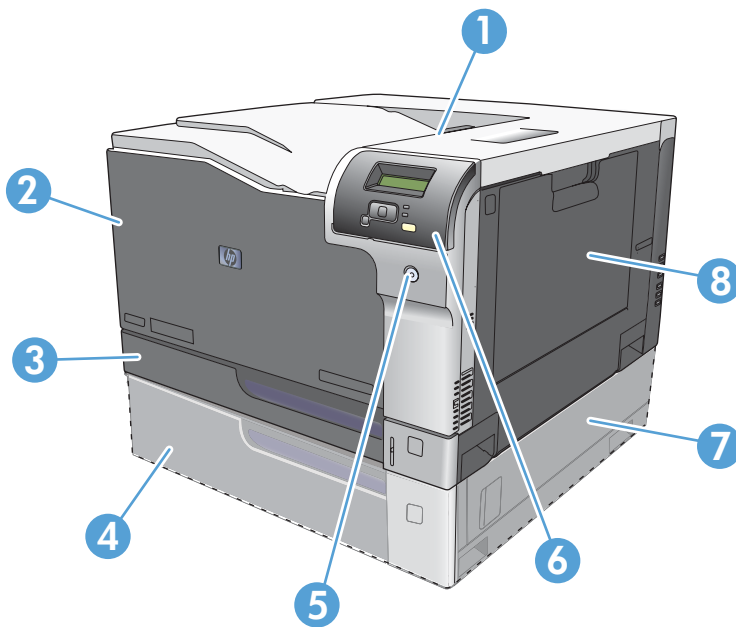
| | |
|-----------------------|--|
| Duplex | Save paper by using duplex printing as your default print setting. |
| Recycling | Reduce waste by using recycled paper. Recycle print cartridges by using the HP Planet Partners return process. See HP LaserJet print supplies on page 141 . For more information about recycling, go to www.hp.com/recycle . |
| Energy savings | Save energy by initiating sleep mode for the product. |
| HP Smart Web printing | Use HP Smart Web printing to select, store, and organize text and graphics from multiple Web pages and then edit and print exactly what you see onscreen. It gives you the control you need for printing meaningful information while minimizing waste. |
| Job storage | Use the job storage features to manage print jobs. By using job storage, you activate printing while you are at the shared product, eliminating lost print jobs that are then reprinted. |

Product features

| | |
|------------------------------------|---|
| Print | <ul style="list-style-type: none">• Prints up to 20 pages per minute (ppm) on letter-size and A4-size media.• Prints at 600 x 600 dots per inch (dpi) with Image REt 3600 text and graphics.• Includes adjustable settings to optimize print quality.• Offers automatic duplexing (duplex models only). |
| Memory | <ul style="list-style-type: none">• Includes 192-megabyte (MB) random-access memory (RAM). |
| Supported operating systems | <ul style="list-style-type: none">• Windows Vista (Starter Edition, 32-bit, and 64-bit)• Windows Vista Server 2008 (32-bit)• Windows XP (32-bit, Service Pack 2)• Windows XP (64-bit, Service Pack 1)• Windows Server 2003 (Service Pack 1)• Windows 2000 (Service Pack 4)• Mac OS X v10.3, v10.4, v10.5, and v10.6 |
| Paper handling | <ul style="list-style-type: none">• Tray 1 (multipurpose tray) holds up to 100 sheets of print media or 10 envelopes.• Tray 2 holds up to 250 sheets of print media.• Optional Tray 3 holds up to 500 sheets of print media.• Output bin holds up to 250 sheets of print media. |
| Printer driver features | <ul style="list-style-type: none">• ImageREt 3600 has been improved for this product. The improvements offer trapping technologies, greater control over dot placement, and more precise control of toner distribution within a dot. These new technologies result in high quality printing with smooth colors. |
| Interface connections | <ul style="list-style-type: none">• Includes a Hi-Speed USB 2.0 port.• Built-in 10/100 Base-T network port with IPv4/IPv6 (network models only). |
| Environmental features | <ul style="list-style-type: none">• To determine the Energy Star® qualification status for this product, see the Product Data Sheet or Specifications Sheet. |
| Economical printing | <ul style="list-style-type: none">• Provides N-up printing (printing more than one page on a sheet).• The printer driver provides the option to manually print on both sides. |
| Supplies | <ul style="list-style-type: none">• The print cartridges use HP ColorSphere toner. For information about the number of pages the cartridges can print, see www.hp.com/go/pageyield. Actual yield depends on specific use. |
| Accessibility | <ul style="list-style-type: none">• Online user guide is compatible with text screen-readers.• Print cartridges can be installed and removed by using one hand.• All doors and covers can be opened by using one hand. |

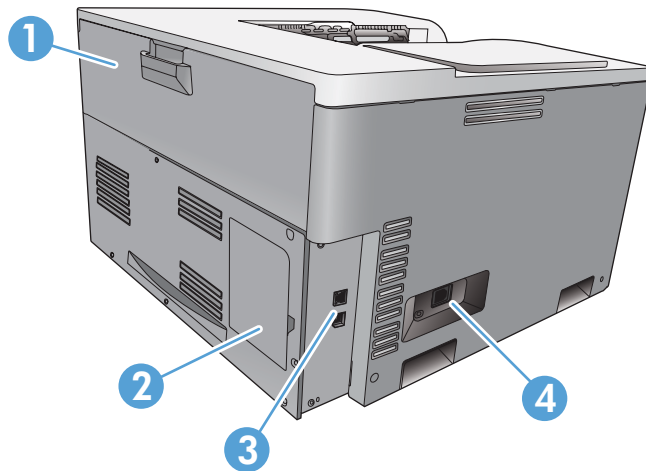
Product views

Front and side view



| | |
|---|---|
| 1 | Output bin (holds 250 sheets of standard paper) |
| 2 | Front door (provides access to the print cartridges) |
| 3 | Tray 2 (holds 250 sheets of standard paper and provides jam access) |
| 4 | Optional Tray 3 (holds 500 sheets of standard paper) |
| 5 | Power button |
| 6 | Control panel |
| 7 | Optional Tray 3 right jam access |
| 8 | Tray 1 (multipurpose tray—holds 100 sheets of standard paper) |

Back view

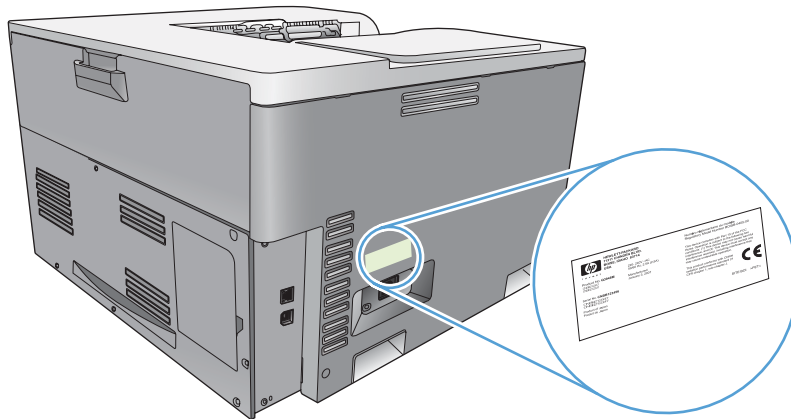


| | |
|---|---|
| 1 | Rear door (for toner waste bin access) |
| 2 | DIMM door (for adding memory—one additional DIMM slot is available) |
| 3 | Hi-Speed USB 2.0 port and network port (network models only) |
| 4 | Power connection |

Model and serial numbers

The model number and serial number are listed on an identification label located on the left side of the product.

The label contains information about the country/region of origin and the revision level, manufacturing date, production code, and production number of the product. The label also contains power rating and regulatory information.

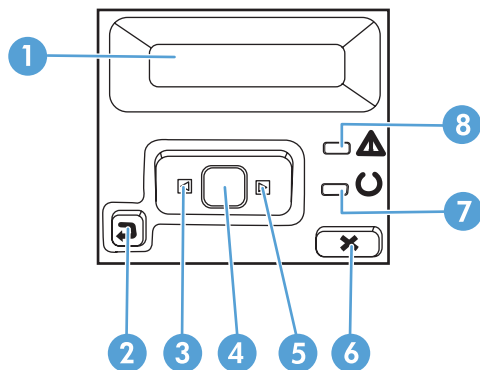



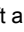

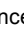
2 Control panel

- [Control-panel layout](#)
- [Control-panel menus](#)

Control-panel layout

The product has the following items on the control panel.



| | |
|---|--|
| 1 | Control-panel display: The display provides information about the product. Use the menus on the display to establish product settings. |
| 2 | Back arrow button  : Use this button for the following actions: <ul style="list-style-type: none">• Exit the control-panel menus.• Scroll back to a previous menu in a submenu list.• Scroll back to a previous menu item in a submenu list (without saving changes to the menu item). |
| 3 | Left arrow button  : Use this button to navigate through the menus or to decrease a value that appears on the display. |
| 4 | OK button: Press the OK button for the following actions: <ul style="list-style-type: none">• Open the control-panel menus.• Open a submenu displayed on the control-panel display.• Select a menu item.• Clear some errors.• Begin a print job in response to a control-panel prompt (for example, when the message [OK] to print appears on the control-panel display). |
| 5 | Right arrow button  : Use this button to navigate through the menus or to increase a value that appears on the display. |
| 6 | Cancel button  : Press this button to cancel a print job whenever the attention light is blinking or to exit the control-panel menus. |
| 7 | Ready light (green): The Ready light is on when the product is ready to print. It blinks when the product is receiving print data. |
| 8 | Attention light (amber): The Attention light blinks when the product requires user attention. |

Control-panel menus

Use the menu

1. Press the **OK** button to open the menus.
2. Press the left arrow ◀ or right arrow ▶ button to navigate through the listings.
3. Press the **OK** button to select the appropriate option. An asterisk (*) appears next to the active selection.
4. Press the back arrow ↶ to scroll back through the submenus.
5. Press the cancel button ✕ to exit the menu without saving any changes.

The sections that follow describe the options for each of the main menus:

- [Reports menu on page 9](#)
- [System Setup menu on page 11](#)
- [Network Configuration menu on page 15](#)
- [Service menu on page 14](#)

Reports menu

Use the **Reports** menu to print reports that provide information about the product.

| Menu item | Description |
|-----------------------------|--|
| Demo Page | Prints a color page that demonstrates print quality. |
| Menu Structure | Prints a map of the control-panel-menu layout. |
| Configuration Report | Prints a list of all the product settings. Includes network information when the product is connected to a network. |
| Supplies Status | Prints the status for each print cartridge, including the following information: <ul style="list-style-type: none">• Approximate pages remaining• Approximate percentage of cartridge life remaining for each color• Part number• Approximate number of pages printed |
| Network Summary | Prints a list of all product network settings (network models only). |
| Usage Page | Prints a page that lists PCL pages, PCL 6 pages, HP postscript level 3 emulation pages, pages that were jammed or mispicked in the product, monochrome (black and white) or color pages; and reports the page count. |
| PCL Font List | Prints a list of all the PCL fonts that are installed. |
| PS Font List | Prints a list of all the PostScript (PS) fonts that are installed. |
| PCL 6 Font List | Prints a list of all the PCL6 fonts that are installed. |
| Color Usage Log | Prints a report that shows the user name, application name, and color usage information on a job-by-job basis. |

| Menu item | Description |
|-------------------------|---|
| Service Page | Prints the service report. |
| Diagnostics Page | Prints the calibration and color diagnostics pages. |

System Setup menu

Use this menu to establish basic product settings. The **System Setup** menu has several sub-menus. Each is described in the following table.

| Menu item | Sub-menu item | Sub-menu item | Description |
|-------------------------|---------------------------|---|--|
| Language | | | Select the language for the control-panel display messages and the product reports. |
| Paper Setup | Default Paper Size | Letter | Select the size for printing internal reports or any print job that does not specify a size. |
| | | A4 | |
| | | Legal | |
| | | A3 | |
| | | 11x17 | |
| | Default Paper Type | A list of available media types appears. | Select the media type for printing internal reports or any print job that does not specify a type. |
| | Tray 1 | Paper Size | Select the default size and type for Tray 1 from the list of available sizes and types. |
| Paper Type | | | |
| Tray 2 | Paper Size | Select the default size and type for Tray 2 from the list of available sizes and types. | |
| | Paper Type | | |
| Tray 3 | Paper Size | If optional Tray 3 is installed, select the default size and type for Tray 3 from the list of available sizes and types. | |
| | Paper Type | | |
| Paper Out Action | Wait Forever | Select how the product should react when a print job requires a size or type that is not available or when a specified tray is empty. | |
| | Override | | |
| | Cancel | | |
| | | | Select the Wait Forever option to make the product wait until you load the correct media, and then press the OK button. This is the default setting. |
| | | | Select the Override option to print on a different size or type after a specified delay. |
| | | | Select the Cancel option to automatically cancel the print job after a specified delay. |
| | | | If you select either the Override or Cancel option, the control panel prompts you to specify the number of seconds to delay. Use the arrow buttons to increase or decrease the time. |

| Menu item | Sub-menu item | Sub-menu item | Description |
|------------------|----------------------|--|---|
| Print Quality | Allow Color Printing | Yes | Select the Yes option to allow the job to print in monochrome (black and white) or color depending on the job. This is the default setting. |
| | | No | Select the No option to disable color printing. All jobs will print in monochrome (black and white). Some internal pages will still print in color. |
| | Color Calibration | Calibrate Now Power-On Calibration | <p>Calibrate Now: Makes the product perform a calibration immediately. If a job is processing, the product calibrates after the job is complete. If an error message is displayed, you must clear the error first.</p> <p>Power-On Calibration: Select how soon the product should calibrate after you turn it on. The default setting is the 15 minutes option.</p> |
| Adjust Alignment | Print Test Page | Adjust Tray <X> | <p>Print Test Page: Print a test page that tests product print alignment.</p> <p>Adjust Tray <X>: Adjust the alignment of the specified tray.</p> |
| | | Off 1 minute 15 minutes 30 minutes 1 hour 2 hours | <p>Sets how long the product remains idle before it enters PowerSave mode. The product automatically exits PowerSave mode when you send a print job or press a control-panel button.</p> <p>The default setting is the 15 minutes option.</p> |
| PowerSave Time | Auto-Off Delay | Never 1 hour 2 hours 4 hours 8 hours 24 hours | <p>Select one of the time-period options to set the amount of inactive time the product will wait before shutting off as a way to conserve energy.</p> <p>Select the Never option to prevent the product from shutting off after a given amount of time. This is the default setting.</p> |

| Menu item | Sub-menu item | Sub-menu item | Description |
|-------------|-----------------|---------------|---|
| At Very Low | Black Cartridge | Stop | <p>Stop: If the product determines that the black cartridge has reached the estimated end of life, it stops printing. The supply may still be able to produce acceptable print quality. To continue printing, either replace the supply or reconfigure the product settings.</p> <p>Prompt: If the product determines that the black cartridge has reached the estimated end of life, select this setting to be prompted at the control panel to continue printing. The supply does not need to be replaced unless the print quality is no longer acceptable. Once an HP supply has reached estimated end of life, HP's premium Protection Warranty on that supply has ended. This is the default setting.</p> <p>Continue: If the product determines that the black cartridge has reached the estimated end of life, select this setting to continue printing until there is a decrease in print quality.</p> |
| | | Prompt | |
| At Very Low | Color Cartridge | Continue | <p>Stop: If the product determines that a cartridge has reached the estimated end of life, it stops printing. The supply may still be able to produce acceptable print quality. To continue printing, either replace the supply or reconfigure the product settings.</p> <p>Prompt: If the product determines that a color print cartridge has reached the estimated end of life, select this setting to be prompted at the control panel to continue printing. The supply does not need to be replaced unless the print quality is no longer acceptable. Once an HP supply has reached estimated end of life, HP's premium Protection Warranty on that supply has ended. This is the default setting.</p> <p>Continue: If the product determines that a color print cartridge has reached the estimated end of life, select this setting to continue printing until there is a decrease in print quality.</p> <p>Print Black: If the product determines that a color print cartridge has reached the estimated end of life, select this setting to continue printing using black only.</p> |
| | | Print Black | |
| | | | |
| | | | |

| Menu item | Sub-menu item | Sub-menu item | Description |
|-------------------------|----------------|---------------|--|
| User-Defined Low | Black | (1-100) | The user-defined percentage threshold determines when the product begins reporting that the cartridge life is low. The message appears on the control-panel display. |
| | Cyan | | |
| | Magenta | | |
| | Yellow | | |
| Courier Font | Regular | | Select a version of the Courier font. |
| | Dark | | The Dark option is an internal Courier font available on HP LaserJet Series III printers and older. |

Service menu

Use this menu to restore default settings, clean the product, and activate special modes that affect print output.

| Menu item | Sub-menu item | Description |
|-------------------------|---------------|---|
| Cleaning Page | | Use this option to clean the product if you see toner specks or other marks on the printed output. The cleaning process removes dust and excess toner from the paper path. When you select this item, the product prompts you to load plain paper in Tray 1 and then press the OK button to start the cleaning process. Wait until the process is complete. Discard the page that prints. |
| Cleaning Mode | | Use this option to clean the bottom side of the scanner glass. |
| USB Speed | High | Sets the USB speed to High or Full . For the product to actually operate at high speed, it must have high speed enabled and be connected to an EHCI host controller that is also operating at high speed. This menu item also does not reflect the current operating speed of the product. The default setting is High . |
| | Full | |
| Less Paper Curl | Off | If printed pages are consistently curled, use this option to set the product to a mode that reduces curl. The default setting is Off . |
| | On | |
| Archive Print | Off | If you are printing pages that will be stored for a long time, use this option to set the product to a mode that reduces toner smearing and dusting. The default setting is Off . |
| | On | |
| Restore Defaults | Yes | Sets all customized settings to the factory default values. |
| | No | |

Network Configuration menu

Use this menu to establish network configuration settings.

 **NOTE:** This menu appears on network models only.

| Menu item | Sub-menu item | Description |
|----------------------|---|--|
| TCP/IP Configuration | Automatic | Select the Automatic option to automatically configure all the TCP/IP settings. |
| | Manual | Select the Manual option to manually configure the IP address, subnet mask, and default gateway. The default setting is Automatic . |
| Auto Crossover | On | This item is used when you are connecting the product directly to a personal computer using an Ethernet cable (you might have to set this to On or Off depending on the computer being used). The default setting is the On option. |
| | Off | |
| Network Services | IPv4 | This item is used by the network administrator to limit the network services available on this product. On Off The default setting for all items is On . |
| | IPv6 | |
| Show IP address | No | No: The product IP address will not appear on the control-panel display. Yes: The product IP address will appear on the control-panel display, alternating between supplies information and the product IP address. The IP address will not be displayed if an error condition exits. The default setting is No . |
| | Yes | |
| Link Speed | Automatic (default) | Sets the link speed manually if needed. |
| | 10T Full | After setting the link speed, the product automatically restarts. |
| | 10T Half | |
| | 100TX Full | |
| | 100TX Half | |
| Restore Defaults | Press the OK button to restore the network configuration settings to the default values. | |

3 Software for Windows

- [Supported operating systems for Windows](#)
- [Supported printer drivers for Windows](#)
- [HP Universal Print Driver \(UPD\)](#)
- [Priority for print settings](#)
- [Change printer-driver settings for Windows](#)
- [Install the Windows software](#)
- [Supported utilities](#)

Supported operating systems for Windows


The product supports the following Windows operating systems:

- Windows Vista (Starter Edition, 32-bit, and 64-bit)
- Windows Vista Server 2008 (32-bit)
- Windows XP (32-bit, Service Pack 2)
- Windows XP (64-bit, Service Pack 1)
- Windows Server 2003 (Service Pack 1)
- Windows 2000 (Service Pack 4)

Supported printer drivers for Windows

- PCL 6 (on the software CD)
- PCL 5 universal printer driver (HP UPD) (available on the Web)
- HP postscript level 3 emulation universal printer driver (available on the Web)

The printer drivers include online Help that has instructions for common printing tasks and also describes the buttons, checkboxes, and drop-down lists that are in the printer driver.

 **NOTE:** The PCL 5 and HP postscript level 3 emulation universal printer drivers that support this product are versions of the HP Universal Print Driver (UPD) for Windows. They install and operate in the same manner as previous versions of those drivers, and they do not require any special configuration. For more information about the UPDs, see www.hp.com/go/upd.

HP Universal Print Driver (UPD)

The HP Universal Print Drivers (UPDs) for Windows are drivers that give you instant access to virtually any HP LaserJet product, from any location, without downloading separate drivers. They are built on proven HP print driver technology and have been tested thoroughly and used with many software programs. They are powerful solutions that perform consistently over time. For this product, there are two UPDs available:


- PCL 5 UPD
- HP postscript level 3 emulation UPD

An HP UPD communicates directly with each HP product, gathers configuration information, and then customizes the user interface to show the product's unique, available features. It automatically enables features that are available for the product, such as two-sided printing and stapling, so you do not need to enable them manually.

For more information, go to www.hp.com/go/upd.

Priority for print settings

Changes to print settings are prioritized depending on where the changes are made:

 **NOTE:** The names of commands and dialog boxes might vary depending on your software program.

- **Page Setup dialog box:** Click **Page Setup** or a similar command on the **File** menu of the program you are working in to open this dialog box. Settings changed here override settings changed anywhere else.
- **Print dialog box:** Click **Print**, **Print Setup**, or a similar command on the **File** menu of the program you are working in to open this dialog box. Settings changed in the **Print** dialog box have a lower priority and do *not* override changes made in the **Page Setup** dialog box.
- **Printer Properties dialog box (printer driver):** Click **Properties** in the **Print** dialog box to open the printer driver. Settings changed in the **Printer Properties** dialog box do not override settings anywhere else in the printing software.
- **Default printer driver settings:** The default printer driver settings determine the settings used in all print jobs, *unless* settings are changed in the **Page Setup**, **Print**, or **Printer Properties** dialog boxes.
- **Printer control panel settings:** Settings changed at the printer control panel have a lower priority than changes made anywhere else.

Change printer-driver settings for Windows

| Change the settings for all print jobs until the software program is closed | Change the default settings for all print jobs | Change the product configuration settings |
|--|---|---|
| <ol style="list-style-type: none"> 1. On the File menu in the software program, click Print. 2. Select the driver, and then click Properties or Preferences. <p>The steps can vary; this procedure is most common.</p> | <ol style="list-style-type: none"> 1. Windows XP, Windows Server 2003, and Windows Server 2008 (using the default Start menu view): Click Start, and then click Printers and Faxes. <p>-or-</p> <p>Windows 2000, Windows XP, Windows Server 2003, and Windows Server 2008 (using the Classic Start menu view): Click Start, click Settings, and then click Printers.</p> <p>-or-</p> <p>Windows Vista: Click Start, click Control Panel, and then in the category for Hardware and Sound click Printer. 2. Right-click the driver icon, and then select Printing Preferences. </p> | <ol style="list-style-type: none"> 1. Windows XP, Windows Server 2003, and Windows Server 2008 (using the default Start menu view): Click Start, and then click Printers and Faxes. <p>-or-</p> <p>Windows 2000, Windows XP, Windows Server 2003, and Windows Server 2008 (using the Classic Start menu view): Click Start, click Settings, and then click Printers.</p> <p>-or-</p> <p>Windows Vista: Click Start, click Control Panel, and then in the category for Hardware and Sound click Printer. 2. Right-click the driver icon, and then select Properties. 3. Click the Device Settings tab. </p> |

Install the Windows software

Software installation types for Windows

The software installer instructs you when to connect the product to a computer or a network. After the product is connected, the installer gives you the option of finishing the installation without installing all recommended software.

The following operating systems support the “full” installation of recommended software.

- Windows Vista 32-bit
- Windows Vista 64-bit
- Windows XP, Service Pack 2

The following operating systems support the “minimal” installation, which does not include the recommended software.

- Windows Vista Starter Edition
- Windows Vista 32-bit
- Windows Vista 64-bit
- Windows Vista Server 2008, 32 bit
- Windows XP, Service Pack 2
- Windows XP 64-bit, Service Pack 1
- Windows Server 2003, Service Pack 1
- Windows 2000, Service Pack 4

Remove software for Windows

1. Click **Start**, and then click **All Programs**.
2. Click **HP**, and then click **HP Color LaserJet CP5220 Series printer**.
3. Click **Uninstall**, and then follow the onscreen instructions to remove the software.

Supported utilities

HP Web Jetadmin

HP Web Jetadmin is a browser-based management tool for HP Jetdirect-connected printers within your intranet, and it should be installed only on the network administrator's computer.

To download a current version of HP Web Jetadmin and for the latest list of supported host systems, visit www.hp.com/go/webjetadmin.

When installed on a host server, a Windows client can gain access to HP Web Jetadmin by using a supported Java-enabled Web browser (such as Microsoft Internet Explorer or Netscape Navigator) by navigating to the HP Web Jetadmin host.

Embedded Web server

The product is equipped with an embedded Web server, which provides access to information about the network-connected product and network activities. This information appears in a Web browser, such as Microsoft Internet Explorer, Netscape Navigator, Apple Safari, or Firefox.

The embedded Web server resides on the product. It is not loaded on a network server.

The embedded Web server provides an interface to the product that anyone who has a network-connected computer and a standard Web browser can use. No special software is installed or configured, but you must have a supported Web browser on your computer. To gain access to the embedded Web server, type the IP address for the product in the address line of the browser. (To find the IP address, print a configuration page. For more information about printing a configuration page, see [Information pages on page 66](#).)


For a complete explanation of the features and functionality of the embedded Web server, see [Embedded Web server on page 76](#).

HP ToolboxFX

HP ToolboxFX software is a program that you can use for the following tasks:

- Check the product status
- Check the supplies status and shop online for supplies
- Set up alerts
- View product usage reports
- View product documentation
- Gain access to troubleshooting and maintenance tools

HP ToolboxFX is supported for direct USB and network installations. You do not have to have Internet access to open and use HP ToolboxFX. HP ToolboxFX is only available following a Recommended install.

 **NOTE:** HP ToolboxFX is not supported for Windows 2000, Windows Server 2003, or Macintosh operating systems. To use HP ToolboxFX, you must have the TCP/IP protocol installed on your computer.

Supported operating systems

- Microsoft Windows XP, Service Pack 2 (Home and Professional editions)
 - Microsoft Windows Vista™
-

For more information about using HP ToolboxFX software, see [Open HP ToolboxFX on page 67](#).

Other Windows components and utilities

- Software installer — automates the printing system installation
- Online Web registration
- Print Quality Optimizer Video
- HP Basic Color Match (available on the Web)
- HP Easy Printer Care (available on the Web)
- Web Printsart (available on the Web)
- HP SureSupply
- HP Print View Software (available on the Web)

4 Use the product with Macintosh

- [Software for Macintosh](#)
- [Use features in the Macintosh printer driver](#)

Software for Macintosh

Supported operating systems for Macintosh

The product supports the following Macintosh operating systems:

- Mac OS X v10.3, v10.4, v10.5, and v10.6

 **NOTE:** For Mac OS X v10.4 and later, PPC and Intel Core Processor Macs are supported.

Supported printer drivers for Macintosh

The HP installer provides PostScript® Printer Description (PPD) files and Printer Dialog Extensions (PDEs) for use with Macintosh computers.

Remove software from Macintosh operating systems

You must have administrator rights to remove the software.

Mac OS X V10.3 and V10.4

1. Browse to the following folder:
`Library/Printers/PPDs/Contents/Resources`
2. Open the `<lang>.lproj` folder where `<lang>` is a two-letter language code.
3. Delete the .GZ file for this product.
4. Repeat steps 2 and 3 for each language folder.

Mac OS X V10.5

1. Browse to the following folder:
`Library/Printers/PPDs/Contents/Resources`
2. Delete the .GZ file for this product.

Priority for print settings for Macintosh

Changes to print settings are prioritized depending on where the changes are made:

 **NOTE:** The names of commands and dialog boxes might vary depending on your software program.

- **Page Setup dialog box:** Click **Page Setup** or a similar command on the **File** menu of the program you are working in to open this dialog box. Settings changed here might override settings changed anywhere else.
- **Print dialog box:** Click **Print**, **Print Setup**, or a similar command on the **File** menu of the program you are working in to open this dialog box. Settings changed in the **Print** dialog box have a lower priority and do *not* override changes made in the **Page Setup** dialog box.

- **Default printer driver settings:** The default printer driver settings determine the settings used in all print jobs, *unless* settings are changed in the **Page Setup**, **Print**, or **Printer Properties** dialog boxes.
- **Printer control panel settings:** Settings changed at the printer control panel have a lower priority than changes made anywhere else.

Change printer-driver settings for Macintosh

| Change the settings for all print jobs until the software program is closed | Change the default settings for all print jobs | Change the product configuration settings |
|---|--|---|
| <ol style="list-style-type: none"> 1. On the File menu, click Print. 2. Change the settings that you want on the various menus. | <ol style="list-style-type: none"> 1. On the File menu, click Print. 2. Change the settings that you want on the various menus. 3. On the Presets menu, click Save as and type a name for the preset. <p>These settings are saved in the Presets menu. To use the new settings, you must select the saved preset option every time you open a program and print.</p> | <p>Mac OS X v10.3 or Mac OS X v10.4</p> <ol style="list-style-type: none"> 1. From the Apple menu, click System Preferences and then Print & Fax. 2. Click Printer Setup. 3. Click the Installable Options menu. <p>Mac OS X v10.5 or Mac OS X v10.6</p> <ol style="list-style-type: none"> 1. From the Apple menu, click System Preferences and then Print & Fax. 2. Click Options & Supplies. 3. Click the Driver menu. 4. Select the driver from the list, and configure the installed options. |

Supported utilities for Macintosh

View embedded Web server using a Macintosh

The embedded Web server (EWS) is accessed by clicking the **Utility** button when viewing the print queue. This opens a Web browser, such as Safari, which allows the user to access the EWS. The EWS can also be accessed directly by typing the network IP address or DNS name of the product into the Web browser.

HP USB EWS Gateway software, which is automatically installed, also allows a Web browser to access the product if the product is connected using a USB cable. Click the **Utility** button when using a USB connection to access the EWS through the Web browser.

Use the EWS to perform the following tasks:

- View the product status and change product settings.
- View and change network settings for the product.
- Print information pages for the product.
- View the product event log.

Use features in the Macintosh printer driver

Create and use printing presets in Macintosh


Use printing presets to save the current printer driver settings for reuse.

Create a printing preset

1. On the **File** menu, click **Print**.
2. Select the driver.
3. Select the print settings.
4. In the **Presets** box, click **Save As...**, and type a name for the preset.
5. Click **OK**.

Use printing presets

1. On the **File** menu, click **Print**.
2. Select the driver.
3. In the **Presets** box, select the printing preset that you want to use.

 **NOTE:** To use printer-driver default settings, select **Standard**.

Resize documents or print on a custom paper size


You can scale a document to fit on a different size of paper.

1. On the **File** menu, click **Print**.
2. Open the **Paper Handling** menu.
3. In the area for **Destination Paper Size**, select **Scale to fit paper size**, and then select the size from the drop-down list.
4. If you want to use only paper that is smaller than the document, select **Scale down only**.

Print a cover page

You can print a separate cover page for your document that includes a message (such as “Confidential”).

1. On the **File** menu, click **Print**.
2. Select the driver.
3. Open the **Cover Page** menu, and then select whether to print the cover page **Before Document** or **After Document**.
4. In the **Cover Page Type** menu, select the message that you want to print on the cover page.

 **NOTE:** To print a blank cover page, select **Standard** as the **Cover Page Type**.

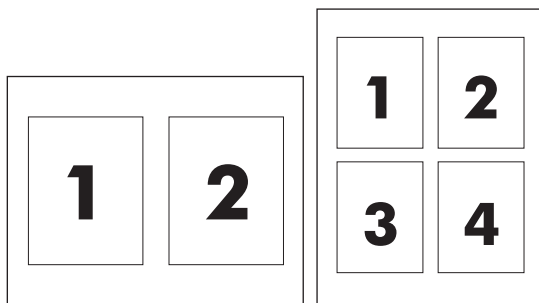
Use watermarks

A watermark is a notice, such as “Confidential,” that is printed in the background of each page of a document.

1. On the **File** menu, click **Print**.
2. Open the **Watermarks** menu.
3. Next to **Mode**, select the type of watermark to use. Select **Watermark** to print a semi-transparent message. Select **Overlay** to print a message that is not transparent.
4. Next to **Pages**, select whether to print the watermark on all pages or on the first page only.
5. Next to **Text**, select one of the standard messages, or select **Custom** and type a new message in the box.
6. Select options for the remaining settings.

Print multiple pages on one sheet of paper in Macintosh

You can print more than one page on a single sheet of paper. This feature provides a cost-effective way to print draft pages.



1. On the **File** menu, click **Print**.
2. Select the driver.
3. Open the **Layout** menu.
4. Next to **Pages per Sheet**, select the number of pages that you want to print on each sheet (1, 2, 4, 6, 9, or 16).
5. Next to **Layout Direction**, select the order and placement of the pages on the sheet.
6. Next to **Borders**, select the type of border to print around each page on the sheet.

Print on both sides of the page (duplex printing)

△ **CAUTION:** To avoid jams, do not load paper that is heavier than 105 g/m² (28-lb bond) for automatic duplexing.

Use automatic duplex printing

1. Insert enough paper into one of the trays to accommodate the print job. If you are loading special paper such as letterhead, load it in one of the following ways:
 - For tray 1, load the letterhead paper face-up with the bottom edge feeding into the printer first.
 - For all other trays, load the letterhead paper face-down with the top edge at the back of the tray.
2. On the **File** menu, click **Print**.
3. Open the **Layout** menu.
4. Next to **Two-Sided**, select either **Long-Edge Binding** or **Short-Edge Binding**.
5. Click **Print**.

Print on both sides manually

1. Insert enough paper into one of the trays to accommodate the print job. If you are loading special paper such as letterhead, load it in one of the following ways:
 - For tray 1, load the letterhead paper face-up with the bottom edge feeding into the printer first.
 - For all other trays, load the letterhead paper face-down with the top edge at the back of the tray.
2. On the **File** menu, click **Print**.
3. On the **Finishing** menu, select **Manually Print on 2nd Side**.
4. Click **Print**. Follow the instructions in the pop-up window that appears on the computer screen before replacing the output stack in tray 1 for printing the second half.
5. Go to the printer, and remove any blank paper that is in tray 1.
6. Insert the printed stack face-up with the bottom edge feeding into the printer first in tray 1. You *must* print the second side from tray 1.
7. If prompted, press the appropriate control-panel button to continue.

Set the color options

Use the **Color Options** pop-up menu to control how colors are interpreted and printed from software programs.

1. Click **Show Advanced Options**.
2. Adjust the individual settings for text, graphics, and photographs.

Use the Services menu

If the product is connected to a network, use the **Services** menu to obtain product and supply-status information.

1. On the **File** menu, click **Print**.
2. Open the **Services** menu.


5 Connectivity

- [Supported network operating systems](#)
- [USB connection](#)
- [Supported network protocols](#)
- [Configure the product on the network](#)

Supported network operating systems

The following operating systems support network printing:


- Windows Vista (Starter Edition, 32-bit, and 64-bit)
- Windows Vista Server 2008 (32-bit)
- Windows XP (32-bit, Service Pack 2)
- Windows XP (64-bit, Service Pack 1)
- Windows Server 2003 (Service Pack 1)
- Windows 2000 (Service Pack 4)
- Mac OS X v10.3, v10.4, v10.5, and v10.6

 **NOTE:** Not all network operating systems support a full software installation. See [Supported operating systems for Windows on page 18](#) and [Supported operating systems for Macintosh on page 24](#).

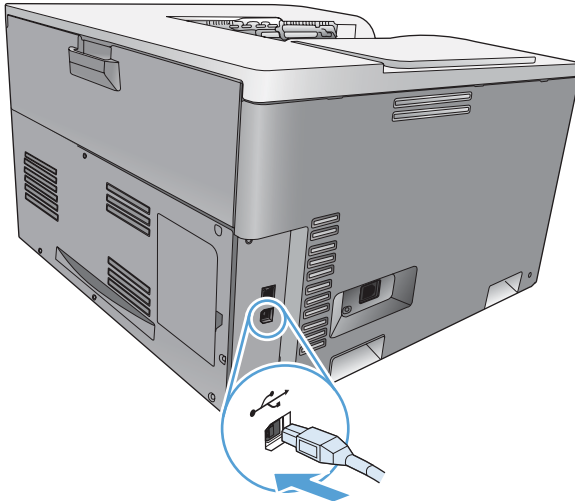
Printer sharing disclaimer

HP does not support peer-to-peer networking, as the feature is a function of Microsoft operating systems and not of the HP printer drivers. Go to Microsoft at www.microsoft.com.

USB connection

 **NOTE:** Do *not* connect the USB cable before installing the software. The installation program will notify you when the USB cable should be connected.

This product supports a USB 2.0 connection. You must use an A-to-B type USB cable for printing.



Supported network protocols

The product supports the TCP/IP network protocol. It is the most widely used and accepted networking protocol. Many networking services utilize this protocol. This product also supports IPv4 and IPv6. The following tables list the networking services/protocols that are supported on the product.

Table 5-1 Printing

| Service name | Description |
|---------------------------|---|
| port 9100 (Direct Mode) | Printing service |
| Line printer daemon (LPD) | Printing service |
| ws-print | Microsoft plug-and-play printing solution |

Table 5-2 Network product discovery

| Service name | Description |
|--|--|
| SLP (Service Location Protocol) | Device Discovery Protocol, used to help find and configure network devices. Used primarily by Microsoft-based software programs. |
| Bonjour (also known as "Rendezvous" or "mDNS") | Device Discovery Protocol, used to help find and configure network devices. Used primarily by Apple Macintosh-based software programs. |
| ws-discovery | Used by Microsoft-based software programs |

Table 5-3 Messaging and management

| Service name | Description |
|---|---|
| HTTP (hypertext transfer protocol) | Allows Web browsers to communicate with embedded Web server. |
| SNMP (simple network management protocol) | Used by network programs for product management. SNMP V1 and standard MIB-II (Management Information Base) objects are supported. |

Table 5-4 IP addressing


| Service name | Description |
|---|---|
| DHCP (dynamic host configuration protocol): IPv4 and IPv6 | For Automatic IP address assignment. DHCP server provides the product with an IP address. Generally requires no user intervention for product to obtain IP address from a DHCP server. |
| BOOTP (bootstrap protocol) | For Automatic IP address assignment. BOOTP server provides the product with an IP address. Requires administrator to input the product MAC hardware address in the BOOTP server HOSTS file in order for the product to obtain an IP address from that server. |
| Auto IP | For Automatic IP address assignment. If neither a DHCP server nor a BOOTP server is present, this service allows the product to generate a unique IP address. With manual IP addressing, you can manually provide an IP address, subnet mask, and gateway address. |

Configure the product on the network

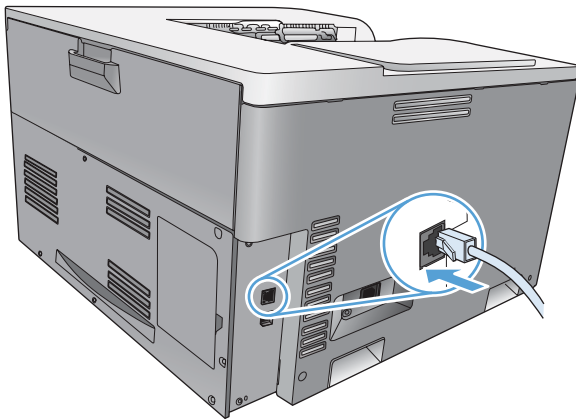
To configure network parameters on the product, use the product control panel, or the embedded Web server. For Windows operating systems, use the HP ToolboxFX software. For Mac OS X, use the **Utility** button.

Set up the product on the network

Hewlett-Packard recommends that you use the HP software installer on the product CD-ROM to set up printer drivers for networks.

 **NOTE:** For Windows operating systems, you *must* connect the product to the network prior to starting the software installation.

This product supports a 10/100 Base-T network connection. Plug the network cable into the product and your network connection.



View settings

Network summary report



The network summary report lists the current settings and properties of the product network card. To print the network summary report from the product, complete the following steps.

1. On the control panel, press the **OK** button.
2. Use the arrow buttons to select the **Reports** menu, and then press the **OK** button.
3. Use the arrow buttons to select the **Network Summary** option, and then press the **OK** button.

Configuration page

The configuration page lists the current settings and properties of the product. To print the configuration page from the product, complete one of the following processes.

Use the control-panel buttons

- ▲ At the control panel, simultaneously press and hold the back button  and the cancel button .

Use the control-panel menus

1. On the control panel, press the **OK** button.
2. Use the arrow buttons to select the **Reports** menu, and then press the **OK** button.
3. Use the arrow buttons to select **Configuration Report**, and then press the **OK** button.

TCP/IP


Similar to a common language that people use to communicate with each other, TCP/IP (Transmission Control Protocol/Internet Protocol) is a suite of protocols designed to define the way computers and other devices communicate with each other over a network.

IP address

Every device on an IP network requires a unique IP address. This address can be manually set by the user or can be obtained automatically, depending on the available network services.

An IPv4 address contains four bytes of information, divided into sections that each contain one byte. The IP address has the following format:

xxx . xxx . xxx . xxx

 **NOTE:** When assigning IP addresses, always consult the IP address administrator. Setting the wrong address can disable other equipment operating on the network or interfere with communications.

Configure IP parameters

IP configuration parameters can be configured manually, or they can be automatically downloaded by using DHCP or BOOTP each time the product is turned on.

When turned on, a new product that is unable to retrieve a valid IP address from the network automatically assigns itself a default IP address. On a small private network, a unique IP address in the range of 169.254.1.0 to 169.254.254.255 is assigned. The IP address for the product is listed on the product configuration page and the network report. See [Control-panel menus on page 9](#).

Dynamic Host Configuration Protocol (DHCP)

DHCP allows a group of devices to use a set of IP addresses that are maintained by a DHCP server. The product sends a request to the server, and if an IP address is available, the server assigns it to that product.

BOOTP

BOOTP is a bootstrap protocol used to download configuration parameters and host information from a network server.

The product broadcasts a boot request packet that contains the product hardware address. The server answers with a boot reply packet that contains the information that the product needs for configuration.

Subnets

When an IP network address for a particular network class is assigned to an organization, no provision is made for more than one network being present at that location. Local network administrators use subnets to partition a network into several different subnetworks. Splitting a network into subnets can result in better performance and improved use of limited network address space.

Subnet mask

The subnet mask is a mechanism used to divide a single IP network into several different subnetworks. For a given network class, a portion of an IP address that would normally be used to identify a node is used, instead, to identify a subnetwork. A subnet mask is applied to each IP address to specify the portion used for subnetworks, and the portion used to identify the node.

Gateways

Gateways (routers) are used to connect networks together. Gateways are devices that act as translators between systems that do not use the same communication protocols, data formatting, structures, languages, or architectures. Gateways repackage the data packets and change the syntax to match that of the destination system. When networks are divided into subnets, gateways are required to connect one subnet to another.


Default gateway

The default gateway is the IP address of the gateway or router that moves packets between networks.

If multiple gateways or routers exist, then the default gateway is typically the address of the first, or nearest, gateway or router. If no gateways or routers exist, then the default gateway will typically assume the IP address of the network node (such as the workstation or product).

IP address

You can configure the IP address manually or automatically via DHCP, BootP, or Auto IP.

 **NOTE:** When assigning IP addresses, always consult the IP address administrator. Setting the wrong address can disable other equipment operating on the network or interfere with communications.

Manual configuration

1. On the control panel, press the **OK** button.
2. Use the arrow buttons to select the **Network Configuration** menu, and then press the **OK** button.
3. Use the arrow buttons to select the **TCP/IP Configuration** menu, and then press the **OK** button.
4. Use the arrow buttons to select the **Manual** option, and then press the **OK** button.
5. Press the right arrow button **▶** to increase the value for the first section of the IP address. Press the left arrow button **◀** to decrease the value. When the value is correct, press the **OK** button. Repeat this process for the other three sections of the IP address.
6. If the address is correct, use the arrow buttons to select the **Yes** option, and then press the **OK** button. Select a subnet mask and repeat step 5 for the default gateway settings.

-or-


If the IP address is incorrect, use the arrow buttons to select the **No** option, and then press the **OK** button. Repeat step 5 to establish the correct IP address, and then select a subnet mask and repeat step 5 for the default gateway settings.

Automatic configuration

 **NOTE:** The **Automatic** option is the default **Network Configuration TCP/IP Configuration** setting.

1. On the control panel, press the **OK** button.
2. Use the arrow buttons to select the **Network Configuration** menu, and then press the **OK** button.
3. Use the arrow buttons to select the **TCP/IP Configuration** menu, and then press the **OK** button.
4. Use the arrow buttons to select the **Automatic** option, and then press the **OK** button.

It might take several minutes before the automatic IP address is ready for use.

 **NOTE:** To disable or enable specific automatic IP modes (such as BOOTP, DHCP, or AutoIP), use the embedded Web server or HP ToolboxFX.

Show or hide the IP address on the control panel

 **NOTE:** When the **Show IP address** setting is **On**, the IP address appears on the control-panel display.

1. On the control panel, press the **OK** button.
2. Use the arrow buttons to select the **Network Configuration** menu, and then press the **OK** button.
3. Use the arrow buttons to select the **Show IP address** menu, and then press the **OK** button.
4. Use the arrow buttons to select the **Yes** or **No** option, and then press the **OK** button.

Set automatic crossover

1. On the control panel, press the **OK** button.
2. Use the arrow buttons to select the **Network Configuration** menu, and then press the **OK** button.
3. Use the arrow buttons to select the **Auto Crossover** menu, and then press the **OK** button.
4. Use the arrow buttons to select the **On** or **Off** option, and then press the **OK** button.

Set network services

1. On the control panel, press the **OK** button.
2. Use the arrow buttons to select the **Network Configuration** menu, and then press the **OK** button.
3. Use the arrow buttons to select the **Network Services** menu, and then press the **OK** button.
4. Use the arrow buttons to select the **IPv4** or **IPv6** menu, and then press the **OK** button.
5. Use the arrow buttons to select the **On** or **Off** option, and then press the **OK** button.


Selecting the **Off** option disables the product IPv4/IPv6 networking.

Set the link speed

1. On the control panel, press the **OK** button.
2. Use the arrow buttons to select the **Network Configuration** menu, and then press the **OK** button.

3. Use the arrow buttons to select the **Link Speed** menu, and then press the **OK** button.
4. Use the arrow buttons to select one of the link speed options, and then press the **OK** button.

Restore defaults (network settings)

1. On the control panel, press the **OK** button.
2. Use the arrow buttons to select the **Network Configuration** menu, and then press the **OK** button.
3. Use the arrow buttons to select the **Restore Defaults** menu, and then press the **OK** button.
4. Press the **OK** button to restore the default network settings. Press the cancel button  to exit the menu without restoring the default network settings.

6 Paper and print media

- [Understand paper and print media use](#)
- [Supported paper and print media sizes](#)
- [Supported paper types and tray capacity](#)
- [Supported paper sizes for duplex printing](#)
- [Special paper or print media guidelines](#)
- [Load trays](#)

Understand paper and print media use

This product supports a variety of paper and other print media in accordance with the guidelines in this user guide. Paper or print media that does not meet these guidelines might cause the following problems:

- Poor print quality
- Increased jams
- Premature wear on the product, requiring repair

For best results, use only HP-brand paper and print media designed for laser printers or multiuse. Do not use paper or print media made for inkjet printers. Hewlett-Packard Company cannot recommend the use of other brands of media because HP cannot control their quality.

It is possible for paper to meet all of the guidelines in this user guide and still not produce satisfactory results. This might be the result of improper handling, unacceptable temperature and/or humidity levels, or other variables over which Hewlett-Packard has no control.

△ **CAUTION:** Using paper or print media that does not meet Hewlett-Packard's specifications might cause problems for the product, requiring repair. This repair is not covered by the Hewlett-Packard warranty or service agreements.

Supported paper and print media sizes

This product supports a number of paper sizes, and it adapts to various media.


 **NOTE:** To obtain best print results, select the appropriate paper size and type in your print driver before printing.

Table 6-1 Supported paper and print media sizes

| Size | Dimensions | Tray 1 | Tray 2 | Optional Tray 3 |
|-------------------|-------------------------------------|--------|--------|-----------------|
| Letter | 216 x 279 mm (8.5 x 11 in) | ✓ | ✓ | ✓ |
| Legal | 216 x 356 mm (8.5 x 14 in) | ✓ | ✓ | ✓ |
| A4 | 210 x 297 mm (8.27 x 11.69 in) | ✓ | ✓ | ✓ |
| Executive | 184 x 267 mm (7.25 x 10.5 in) | ✓ | ✓ | ✓ |
| A3 | 297 x 420 mm (11.69 x 16.54 in) | ✓ | ✓ | ✓ |
| A5 | 148 x 210 mm (5.83 x 8.27 in) | ✓ | ✓ | |
| A6 | 105 x 148 mm (4.13 x 5.83 in) | ✓ | | |
| B4 (JIS) | 257 x 364 mm (10.12 x 14.33 in) | ✓ | ✓ | ✓ |
| B5 (JIS) | 182 x 257 mm (7.17 x 10.12 in) | ✓ | ✓ | ✓ |
| 8k | 270 x 390 mm (10.6 x 15.4 in) | | | |
| | 260 x 368 mm (10.2 x 14.5 in) | ✓ | ✓ | ✓ |
| | 273 x 394 mm (10.75 x 15.5 in) | | | |
| 16k | 184 x 260 mm (7.24 x 10.23 in) | | | |
| | 195 x 270 mm (7.68 x 10.62 in) | ✓ | ✓ | |
| | 197 x 273 mm (7.75 x 10.75 in) | | | |
| 8.5 x 13 (Folio) | 216 x 330 mm (8.5 x 13 in) | ✓ | ✓ | ✓ |
| Index card | 76 x 127 mm (3 x 5 in) ¹ | | | |
| | 107 x 152 mm (4 x 6 in) | ✓ | | |
| | 127 x 203 mm (5 x 8 in) | | | |
| 10 x 15 cm | 100 x 150 mm (3.9 x 5.9 in) | ✓ | | |
| 11 x 17 (Tabloid) | 279 x 432 mm (11 x 17 in) | ✓ | ✓ | ✓ |
| 12 x 18 (Arch B) | 305 x 457 mm (12 x 18 in) | ✓ | | |
| RA3 | 305 x 430 mm (12 x 16.9 in) | ✓ | | |
| SRA3 | 320 x 450 mm (12.6 x 17.7 in) | ✓ | | |

Table 6-1 Supported paper and print media sizes (continued)

| Size | Dimensions | Tray 1 | Tray 2 | Optional Tray 3 |
|--------|--|--------|--------|-----------------|
| Custom | Minimum: 76 x 127 mm (3 x 5 in) | ✓ | | |
| | Maximum: 320 x 470 mm (12.6 x 18.5 in) | | | |
| | Minimum: 148 x 182 mm (5.8 x 7.1 in) | | ✓ | |
| | Maximum: 297 x 432 mm (11.7 x 17 in) | | | |
| | Minimum: 210 x 148 mm (8.3 x 5.8 in) | | | ✓ |
| | Maximum: 297 x 432 mm (11.7 x 17 in) | | | |

¹ This size is not listed in the printer driver or product firmware, but is supported as a custom size.

Table 6-2 Supported envelopes and postcards

| Size | Dimensions | Tray 1 | Tray 2 |
|------------------|-------------------------------|--------|--------|
| Envelope #10 | 105 x 241 mm (4.13 x 9.49 in) | ✓ | |
| Envelope DL | 110 x 220 mm (4.33 x 8.66 in) | ✓ | |
| Envelope C5 | 162 x 229 mm (6.93 x 9.84 in) | ✓ | |
| Envelope B5 | 176 x 250 mm (6.7 x 9.8 in) | ✓ | |
| Envelope Monarch | 98 x 191 mm (3.9 x 7.5 in) | ✓ | |
| Postcard | 100 x 148 mm (3.94 x 5.83 in) | ✓ | |
| Double postcard | 148 x 200 mm (5.83 x 7.87 in) | ✓ | ✓ |

Supported paper types and tray capacity

| Media type | Dimensions ¹ | Weight | Capacity ² | Paper orientation |
|--|---|---|--|---|
| Paper, including the following types: <ul style="list-style-type: none"> • Plain • Letterhead • Color • Preprinted • Prepunched • Recycled | Tray 1 minimum: 76 x 127 mm (3 x 5 in) Tray 1 maximum: 320 x 470 mm (12.6 x 18.5 in) Tray 2 minimum: 148 x 182 mm (5.8 x 7.1 in) Tray 3 minimum: 210 x 148 mm (8.3 x 5.8 in) Tray 2 or Tray 3 maximum: 297 x 432 mm (11.7 x 17 in) | 60 to 105 g/m ² (16 to 28 lb) | Tray 1: up to 100 sheets Tray 2: up to 250 sheets of 75 g/m ² (20 lb bond) Tray 3: up to 500 sheets of 75 g/m ² (20 lb bond) | Tray 1: Side to be printed on face-down, with the top edge at the back of the tray Trays 2 and 3: Side to be printed on face-up, with the top edge at the back of the tray |
| | NOTE: If the paper width is 297 mm (11.7 in), the maximum height cannot exceed 420 mm (16.54 in). If the paper width is 279 mm (11 in), the maximum height cannot exceed 297 mm432 mm (17 in). | | | |
| Heavy paper | Same as for paper | Tray 1: Up to 220 g/m ² (58 lb) Trays 2 and 3: Up to 120 g/m ² (32 lb) | Tray 1: up to 10 mm (0.4 in) Tray 2: up to 25 mm (0.98 in) stack height Tray 3: up to 51 mm (2 in) stack height | Tray 1: Side to be printed on face-down, with the top edge at the back of the tray Trays 2 and 3: Side to be printed on face-up, with the top edge at the back of the tray |
| Cover paper | Same as for paper | Tray 1: Up to 220 g/m ² (58 lb) Trays 2 and 3: Up to 120 g/m ² (32 lb) | Tray 1: up to 10 mm (0.4 in) Tray 2: up to 25 mm (0.98 in) stack height Tray 3: up to 51 mm (2 in) stack height | Tray 1: Side to be printed on face-down, with the top edge at the back of the tray Trays 2 and 3: Side to be printed on face-up, with the top edge at the back of the tray |
| Glossy paper Photo paper | Same as for paper | Tray 1: Up to 220 g/m ² (58 lb) Trays 2 and 3: Up to 160 g/m ² (43 lb) | Tray 1: up to 10 mm (0.4 in) Tray 2: up to 25 mm (0.98 in) stack height Tray 3: up to 51 mm (2 in) stack height | Tray 1: Side to be printed on face-down, with the top edge at the back of the tray Trays 2 and 3: Side to be printed on face-up, with the top edge at the back of the tray |
| Transparencies | A4 or Letter | Thickness: 0.12 to 0.13 mm (4.7 to 5.1 mils) | Tray 1: up to 10 mm (0.4 in) | Side to be printed on face- down, with the top edge at the back of the tray |

| Media type | Dimensions ¹ | Weight | Capacity ² | Paper orientation |
|--------------------------|---|-----------------------------------|------------------------------|---|
| Labels ³ | A4 or Letter | Thickness: up to 0.23 mm (9 mils) | Tray 1: up to 10 mm (0.4 in) | Side to be printed on face-down, with the top edge at the back of the tray |
| Envelopes | <ul style="list-style-type: none"> • COM 10 • Monarch • DL • C5 • B5 | Up to 90 g/m ² (24 lb) | Tray 1: up to 10 envelopes | Side to be printed on face-down, with the stamp-end at the back of the tray |
| Postcards or index cards | 100 x 148 mm (3.9 x 5.8 in) | | Tray 1: up to 10 mm (0.4 in) | Side to be printed on face-down, with the top edge at the back of the tray |


¹ The product supports a wide range of standard and custom sizes of print media. Check the printer driver for supported sizes.

² Capacity can vary depending on media weight and thickness, and environmental conditions.

³ Smoothness: 100 to 250 (Sheffield)

Supported paper sizes for duplex printing

- Minimum: 148 x 182 mm (5.8 x 7.1 in)
- Maximum: 320 x 450 mm (12.6 x 18 in)

 **NOTE:** For automatic duplexing, do not load paper that is heavier than 105 g/m² (28-lb bond). Use manual duplexing to print on heavier paper. For information about manual duplexing, see [Set document finishing options on page 52](#) for Windows or [Print on both sides manually on page 28](#) for Mac.

Special paper or print media guidelines

This product supports printing on special media. Use the following guidelines to obtain satisfactory results. When using special paper or print media, be sure to set the type and size in the printer driver to obtain the best results.

△ **CAUTION:** HP LaserJet products use fusers to bond dry toner particles to the paper in very precise dots. HP laser paper is designed to withstand this extreme heat. Using inkjet paper could damage the product.

| Media type | Do | Do not |
|--------------------------------|---|---|
| Envelopes | <ul style="list-style-type: none"> • Store envelopes flat. • Use envelopes where the seam extends all the way to the corner of the envelope. • Use peel-off adhesive strips that are approved for use in laser printers. | <ul style="list-style-type: none"> • Do not use envelopes that are wrinkled, nicked, stuck together, or otherwise damaged. • Do not use envelopes that have clasps, snaps, windows, or coated linings. • Do not use self-stick adhesives or other synthetic materials. |
| Labels | <ul style="list-style-type: none"> • Use only labels that have no exposed backing between them. • Use labels that lie flat. • Use only full sheets of labels. | <ul style="list-style-type: none"> • Do not use labels that have wrinkles or bubbles, or are damaged. • Do not print partial sheets of labels. |
| Transparencies | <ul style="list-style-type: none"> • Use only transparencies that are approved for use in laser printers. • Place transparencies on a flat surface after removing them from the product. | <ul style="list-style-type: none"> • Do not use transparent print media not approved for laser printers. |
| Letterhead or preprinted forms | <ul style="list-style-type: none"> • Use only letterhead or forms approved for use in laser printers. | <ul style="list-style-type: none"> • Do not use raised or metallic letterhead. |
| Heavy paper | <ul style="list-style-type: none"> • Use only heavy paper that is approved for use in laser printers and meets the weight specifications for this product. | <ul style="list-style-type: none"> • Do not use paper that is heavier than the recommended media specification for this product unless it is HP paper that has been approved for use in this product. |
| Glossy or coated paper | <ul style="list-style-type: none"> • Use only glossy or coated paper that is approved for use in laser printers. | <ul style="list-style-type: none"> • Do not use glossy or coated paper designed for use in inkjet products. |

Load trays

Load Tray 1

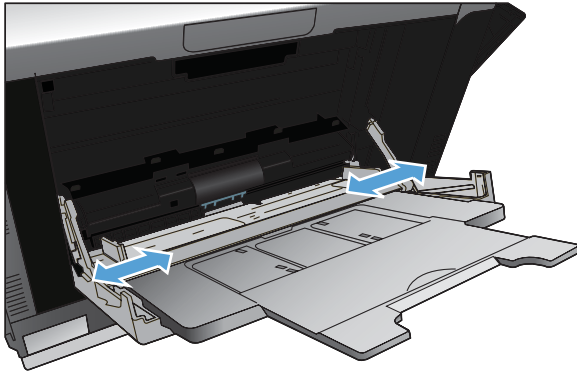
1. Open Tray 1.




2. If loading long sheets of media, pull out the extension tray.



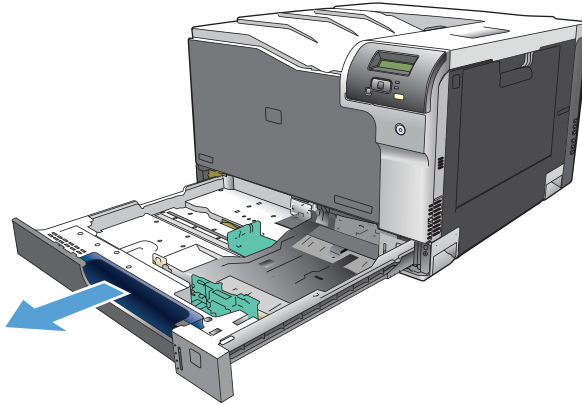
3. Extend the paper guides fully (callout 1) and then load the media stack into Tray 1 (callout 2). Adjust the paper guides to the size of the paper.



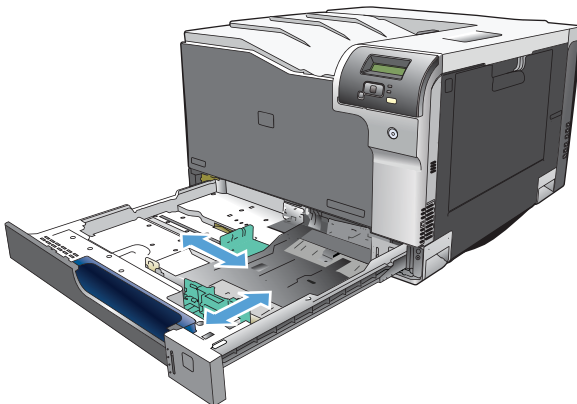
 **NOTE:** Place the media into Tray 1 with the side to be printed on face-down and either the top (rotated media) or right edge toward the product.

Load Tray 2 or 3

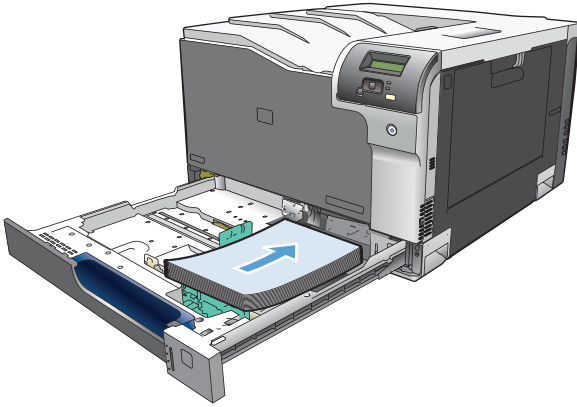
1. Pull the tray out of the product.



2. Slide open the paper length and width guides.

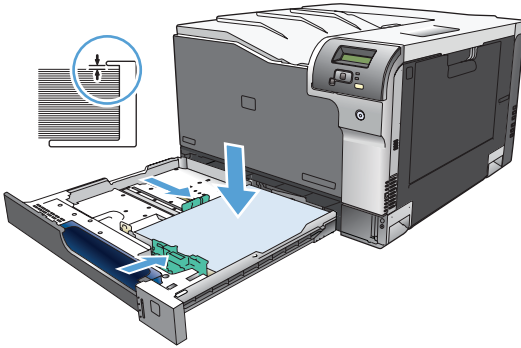


3. Place the paper face-up in the tray and make sure that it is flat at all four corners. Slide the paper length and width guides so that they are against the stack of paper.

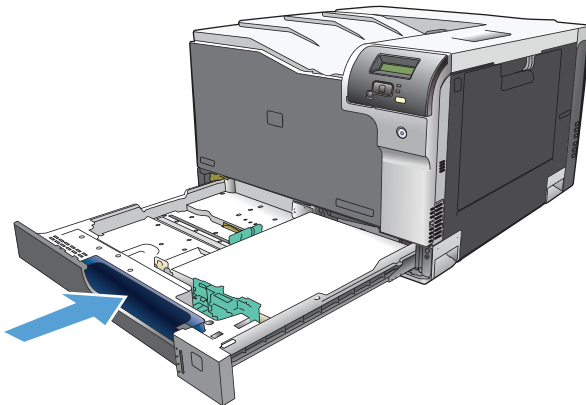


NOTE: The following sizes should not be rotated: letter, A4, Executive, and B5 (JIS). Load those media types so that the long edge is against the right side of the tray.

4. Push down on the paper to make sure that the paper stack is below the paper limit tabs on the side of the tray.



5. Slide the tray into the product.



7 Print tasks

- [Cancel a print job](#)
- [Use features in the Windows printer driver](#)


Cancel a print job

You can stop a print request by using the product control panel or using your software program. For instructions on how to stop a print request from a computer on a network, see the online Help for the specific network software.

 **NOTE:** It can take some time for all printing to clear after you have canceled a print job.

Cancel the current print job at the product control panel

Press the cancel button  on the control panel.

 **NOTE:** If the print job has proceeded too far, you might not have the option to cancel it.

Cancel the current print job from the software program

A dialog box might appear briefly on the screen, giving you the option to cancel the print job.

If several requests have been sent to the product through your software, they might be waiting in a print queue (for example, in Windows Print Manager). See the software documentation for specific instructions about canceling a print request from the computer.

If a print job is waiting in a print queue (computer memory) or print spooler (Windows 2000, XP, or Vista), delete the print job there.

For Windows 2000, Windows XP, or Windows Vista, click **Start** and then click **Printers and Faxes**; or click **Start**, click **Control Panel**, and then click **Printers and Faxes**. Double-click the printer icon to open the print spooler. Select the print job that you want to cancel, and then click [Cancel](#) or [Delete](#) under the **Document** menu. If the print job is not canceled, you might need to shut down and restart the computer.

Use features in the Windows printer driver

Open the printer driver

| How do I | Steps to perform |
|----------------------------------|---|
| Open the printer driver | On the File menu in the software program, click Print . Select the printer, and then click Properties or Preferences . |
| Get help for any printing option | Click the ? symbol in the upper-right corner of the printer driver, and then click any item in the printer driver. A pop-up message displays that provides information about the item. Or, click Help to open the online Help. |

Use printing shortcuts

To perform the following tasks, open the printer driver and click the **Printing Shortcuts** tab.

 **NOTE:** In previous HP printer drivers, this feature was called **Quick Sets**.

| How do I | Steps to perform |
|-----------------------------------|---|
| Use a printing shortcut | Select one of the shortcuts, and then click OK to print the job with the predefined settings. |
| Create a custom printing shortcut | a) Select an existing shortcut as a base. b) Select the print options for the new shortcut. c) Click Save As , type a name for the shortcut, and click OK . |

Set paper and quality options

To perform the following tasks, open the printer driver and click the **Paper/Quality** tab.

| How do I | Steps to perform |
|---|---|
| Select a page size | Select a size from the Paper size drop-down list. |
| Select a custom page size | a) Click Custom . The Custom Paper Size dialog box opens. b) Type a name for the custom size, specify the dimensions, and click OK . |
| Select a paper source | Select a tray from the Paper source drop-down list. |
| Select a paper type | Select a type from the Paper type drop-down list. |
| Print covers on different paper | a) In the Special pages area, click Covers or Print pages on different paper , and then click Settings . b) Select an option to print a blank or preprinted front cover, back cover, or both. Or, select an option to print the first or last page on different paper. c) Select options from the Paper source and Paper type drop-down lists, and then click Add . d) Click OK . |
| Print the first or last page on different paper | |

Set document effects

To perform the following tasks, open the printer driver and click the **Effects** tab.

| How do I | Steps to perform |
|---|--|
| Scale a page to fit on a selected paper size | Click Print document on , and then select a size from the drop-down list. |
| Scale a page to be a percent of the actual size | Click % of actual size , and then type the percent or adjust the slider bar. |
| Print a watermark | a) Select a watermark from the Watermarks drop-down list. b) To print the watermark on the first page only, click First page only . Otherwise, the watermark is printed on each page. |
| Add or edit watermarks | a) In the Watermarks area, click Edit . The Watermark Details dialog box opens. b) Specify the settings for the watermark, and then click OK . |

NOTE: The printer driver must be installed on your computer rather than a server for this to work.

Set document finishing options

Manually printing on both sides

Select the **Print on Both Sides (Manually)** check box to print on the second side of the paper for the base models. The base models do not have automatic duplexing capability. **Print on Both Sides (Manually)** will also be enabled for duplex models when a paper type is selected that cannot be auto-duplexed.

Make sure to select the correct paper type as selecting a paper type instructs the product to use a group of settings (such as fuser temperature and print speed) to print the paper with the best possible quality. This group of settings is known as print mode. To achieve the best print quality when printing on the second side of the page, the product makes adjustments to its print modes. A different print mode is used with each paper type. Print-mode adjustments for the second side of a duplexed page are automatic.

The following paper types cannot be manually duplexed using the **Print on both sides (Manually)** feature:

- **HP Color Laser Photo Glossy 220g**
- **Labels**
- **Envelope**
- **Heavy Envelope**
- **Color Laser Transparency**

A triangle enclosing an exclamation point icon appears next to the **Color Laser Transparency**, **Envelope**, **Heavy Envelope**, and **Labels** options. This icon indicates that duplex printing is not advised for these paper types.

To make the **Print on Both Sides (Manually)** check box available in the document options, enable the **Allow Manual Duplexing** option on the **Device Settings** tab in the **Properties** print-driver tabs.

1. In Windows Vista, click **Computer**, click **Control Panel**, and then click **Hardware and Sound**.

In Windows XP Professional and Windows Server 2003, click **Start**, click **Settings**, and then click **Printers and Faxes**.

-or-

In Windows XP Home, click **Start**, click **Control Panel**, and then double-click the **Printers and Other Hardware** icon.

-or-

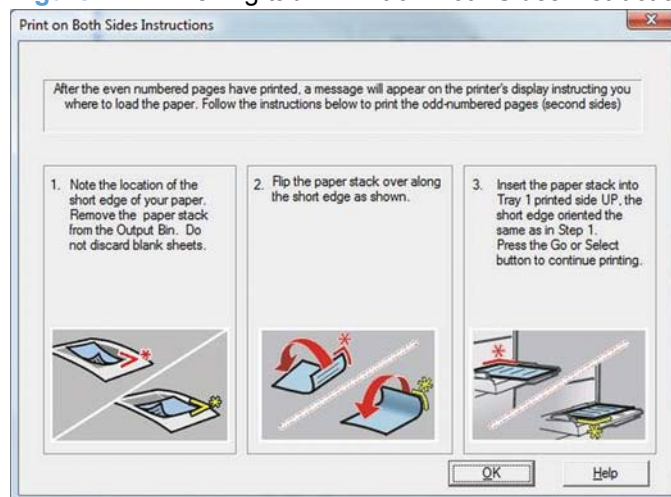
For Windows 2000: Select **Settings**, and then click **Printers**.

2. Right-click the product icon.
3. Click **Properties**.
4. Click **Device Settings** tab.
5. Look for the *Installable Options* section at the bottom of **Device Settings** screen. Select “Enabled” for the “Allow Manual Duplexing” option.

When the **Print on Both Sides (Manually)** check box is available on the **Document Options** section of the **Finishing** tab screen, follow these steps to make the HP Color LaserJet CP5220 Series printer manually print on both sides.

1. Select the **Print on Both Sides (Manually)** check box.
2. Click **OK**.
3. Click **Print**. The even-number pages of the document print.
4. When the control panel shows the **Load tray 1. Press [OK] to continue. Alternating with Manual Duplex.** message, insert the stack of paper on which the even-numbered pages have been printed.

Figure 7-1 Finishing tab – Print on Both Sides instruction window



5. Click the **OK** button on the product control panel.
6. The odd numbered pages print on the second side (blank) of the stacked sheets.

Print a booklet

a) Click **Print on both sides**. b) In the **Booklet layout** drop-down list, click **Left binding** or **Right binding**. The **Pages per sheet** option automatically changes to **2 pages per sheet**.

Print multiple pages per sheet

a) Select the number of pages per sheet from the **Pages per sheet** drop-down list. b) Select the correct options for **Print page borders**, **Page order**, and **Orientation**.

Select page orientation

a) In the **Orientation** area, click **Portrait** or **Landscape**. b) To print the page image upside down, click **Rotate by 180 degrees**.

Obtain support and product-status information

To perform the following tasks, open the printer driver and click the **Services** tab.

| How do I | Steps to perform |
|--|---|
| Obtain support information for the product and order supplies online | In the Internet Services drop-down list, select a support option, and click Go! |

Set advanced printing options

To perform the following tasks, open the printer driver and click the **Advanced** tab.

| How do I | Steps to perform |
|---|--|
| Select advanced printing options | In any of the sections, click a current setting to activate a drop-down list so you can change the setting. |
| Change the number of copies that are printed NOTE: If the software program that you are using does not provide a way to print a particular number of copies, you can change the number of copies in the driver. Changing this setting affects the number of copies for all print jobs. After your job has printed, restore this setting to the original value. | Open the Paper/Output section, and then enter the number of copies to print. If you select 2 or more copies, you can select the option to collate the pages. |
| Print colored text as black rather than as shades of gray | a) Open the Document Options section, and then open the Printer Features section. b) In the Print All Text as Black drop-down list, select Enabled . |

| How do I | Steps to perform |
|---|---|
| Load letterhead or preprinted paper the same way for every job, whether printing on one or both sides of the page | a) Open the Document Options section, and then open the Printer Features section. b) In the Alternative Letterhead Mode drop-down list, select On . c) At the product, load the paper the same way you would for printing on both sides. |
| Change the order in which pages are printed | a) Open the Document Options section, and then open the Layout Options section. b) In the Page Order drop-down list, select Front to Back to print the pages in the same order as they are in the document, or select Back to Front to print the pages in the reverse order. |

8 Color for Windows


- [Manage color](#)
- [Match colors](#)
- [Advanced color use](#)

Manage color

Manage color by changing the settings on the Color tab in the printer driver.

Automatic

Setting color options to **Automatic** typically produces the best possible print quality for color documents. The **Automatic** color adjustment option optimizes the neutral-gray color treatment, halftones, and edge enhancements for each element in a document. For more information, see your printer driver online Help.

 **NOTE:** **Automatic** is the default setting and is recommended for printing all color documents.

Print in Grayscale

Select the **Print in Grayscale** option from the printer driver to print a color document in black and white. This option is useful for printing color documents that will be photocopied or faxed.

When **Print in Grayscale** is selected, the product uses the monochrome mode, which reduces use of the color cartridges.

Manual color adjustment

Use the **Manual** color adjustment option to adjust the neutral-gray color treatment, halftones, and edge enhancements for text, graphics, and photographs. To gain access to the manual color options, from the **Color** tab, select **Manual**, and then select **Settings**.

Manual color options

Use manual color options to adjust the **Neutral Grays**, **Halftone**, and **Edge Control** options for text, graphics, and photographs.

Table 8-1 Manual color options

| Setting description | Setting options |
|--|---|
| Neutral Grays The Neutral Grays setting determines the method for creating gray colors used in text, graphics, and photographs. | <ul style="list-style-type: none">• Black Only generates neutral colors (grays and black) by using only black toner. This guarantees neutral colors without a color cast. This setting is best for documents and grayscale viewgraphs.• 4-Color generates neutral colors (grays and black) by combining all four toner colors. This method produces smoother gradients and transitions to other colors, and it produces the darkest black. |
| Edge Control The Edge Control setting determines how edges are rendered. Edge control has two components: adaptive halftoning and trapping. Adaptive halftoning increases edge sharpness. Trapping reduces the effect of color-plane misregistration by overlapping the edges of adjacent objects slightly. | <ul style="list-style-type: none">• Maximum is the most aggressive trapping setting. Adaptive halftoning is on.• Normal sets trapping at a medium level. Adaptive halftoning is on.• Light sets trapping at a minimal level, Adaptive halftoning is on.• Off turns off both trapping and adaptive halftoning. |

Color themes

Use color themes to adjust the **RGB Color** options for the entire page.

| Setting description | Setting options |
|---------------------|---|
| RGB Color | <ul style="list-style-type: none"><li data-bbox="799 228 1465 306">• Default (sRGB) instructs the product to interpret RGB color as sRGB. The sRGB standard is the accepted standard of Microsoft and the World Wide Web Consortium (www.w3.org).<li data-bbox="799 333 1465 411">• Vivid (sRGB) instructs the product to increase the color saturation in the midtones. Less colorful objects are rendered more colorfully. This setting is recommended for printing business graphics.<li data-bbox="799 438 1465 537">• Photo (sRGB) interprets RGB color as if it were printed as a photograph using a digital mini-lab. It renders deeper, more saturated colors differently than Default (sRGB) mode. Use this setting for printing photos.<li data-bbox="799 564 1465 695">• Photo (Adobe RGB 1998) is for digital photos that use the Adobe RGB color space rather than sRGB. When printing from a professional software program that uses Adobe RGB, it is important to turn off the color management in the software program and allow the product to manage the color space.<li data-bbox="799 722 1465 825">• None sets the product to print RGB data in raw device mode. To render photographs correctly when this option is selected, you must manage color in the program in which you are working or in the operating system. |

Match colors

For most users, the best method for matching colors is to print sRGB colors.

The process of matching printer output color to your computer screen is complex, because printers and computer monitors use different methods of producing color. Monitors *display* colors by using light pixels that use an RGB (red, green, blue) color process, but printers *print* colors by using a CMYK (cyan, magenta, yellow, and black) process.

Several factors can influence your ability to match printed colors to those on your monitor:

- Print media
- Printer colorants (inks or toners, for example)
- Printing process (inkjet, press, or laser technology, for example)
- Overhead lighting
- Personal differences in perception of color
- Software programs
- Printer drivers
- Computer operating systems
- Monitors
- Video cards and drivers
- Operating environment (humidity, for example)

Keep these factors in mind when colors on your screen do not perfectly match your printed colors.

Match colors using the Microsoft Office Basic Colors palette

You can use HP ToolboxFX to print a palette of the Microsoft Office Basic Colors. Use this palette to select the colors that you want to use in printed documents. It shows the actual colors that print when you select these basic colors in a Microsoft Office program.

1. In HP ToolboxFX, select the **Help** folder.
2. In the **Color Printing Tools** section, select **Print Basic Colors**.
3. Adjust color in your document to match the color selection on the printed color palette.

Match colors using the HP Basic Color Match tool

The HP Basic Color Match tool allows you to adjust spot color in your printed output. For example, you can match the color of your company logo on your printed output. You can save and use the new color schemes for specific documents or all printed documents, or you can create multiple color schemes that you can choose from later.

This software tool is available to all users of this product. Before you can use the tool, you must download it from the Web through HP ToolboxFX or the software CD that came with your product.

Use the following procedure to download the HP Basic Color Match tool through the software CD.

1. Insert the CD into your CD-ROM drive. The CD autoruns.
2. Select **Install more software**.
3. Select **HP Basic Color Match**. The tool downloads and installs itself. A desktop icon is also created.

Use the following procedure to download the HP Basic Color Match tool through HP ToolboxFX.

1. Open HP ToolboxFX.
2. Select the **Help** folder.
3. In the **Color Printing Tools** section, select **Basic Color Match**. The tool downloads and installs itself. A desktop icon is also created.

After the HP Basic Color Match tool is downloaded and installed, it can be run from the desktop icon or from HP ToolboxFX (click the **Help** folder, and then **Color Printing Tools**, and then **Basic Color Match**). The tool guides you through selecting colors. All color matches selected are saved as a color theme and can be accessed in the future.

Match colors using View Custom Colors

You can use HP ToolboxFX to print a palette of custom colors. In the **Toolbox Color Printing Tools** section, click **View Custom Colors**. Tab to the color page desired and print the current page. In your document, type the red, green, and blue values in the software's custom color menu to change them to match the color on the palette.

Advanced color use

The product provides automatic color features that generate excellent color results. Carefully designed and tested color tables provide smooth, accurate color rendition of all printable colors.

The product also provides sophisticated tools for the experienced professional.

HP ColorSphere toner

HP designs the print system (printer, print cartridges, toner, and paper) to work together to optimize print quality, product reliability, and user productivity. Original HP print cartridges contain HP ColorSphere toner that is specifically matched to your printer so that it will produce a wide range of brilliant colors. This helps you create professional looking documents that contain sharp, clear text and graphics and realistic printed photos.

HP ColorSphere toner produces print-quality consistency and intensity you can depend on across a wide range of papers. That means you can produce documents that help you make the right impression. Plus, HP professional-quality everyday and specialty papers (including a wide variety of HP media types and weights) are designed for the way you work.

HP ImageREt 3600

ImageREt 3600 provides color laser-class equivalent to a 3600 dots-per-inch (dpi) press through a multi-level printing process. This process precisely controls color by combining up to four colors within a single dot and by varying the amount of toner in a given area. ImageREt 3600 has been improved for this product. The improvements offer trapping technologies, greater control over dot placement, and more precise control of toner quality in a dot. These new technologies, coupled with HP's multi-level printing process, result in a 600 x 600 dpi printer that provides 3600-dpi color laser-class quality with millions of smooth colors.

Media selection

For the best color and image quality, select the appropriate media type from the software printer menu or from the printer driver.


Color options

Color options automatically provide optimal color output. These options use object tagging, which provides optimal color and halftone settings for different objects (text, graphics, and photos) on a page. The printer driver determines which objects appear on a page and uses halftone and color settings that provide the best print quality for each object.

In the Windows environment, the **Automatic** and **Manual** color options are on the **Color** tab in the printer driver.

Standard red-green-blue (sRGB)

Standard red-green-blue (sRGB) is a worldwide color standard that HP and Microsoft developed as a common color language for monitors, input devices (scanners and digital cameras), and output devices (printers and plotters). It is the default color space used for HP products, Microsoft operating systems, the World Wide Web, and most office software. The sRGB standard represents the typical Windows monitor and is the convergence standard for high-definition television.

 **NOTE:** Factors such as the type of monitor you use and the room lighting can affect the appearance of colors on your screen. For more information, see [Match colors on page 60](#).

The latest versions of Adobe PhotoShop®, CorelDRAW®, Microsoft Office, and many other programs use sRGB to communicate color. Because it is the default color space in Microsoft operating systems, sRGB has been adopted broadly. When programs and devices use sRGB to exchange color information, typical users experience greatly improved color matching.


The sRGB standard improves your ability to match colors between the product, the computer monitor, and other input devices automatically, and eliminates the need to become a color expert.

9 Manage and maintain

- [Information pages](#)
- [HP ToolboxFX](#)
- [Embedded Web server](#)
- [Manage supplies](#)
- [Change print cartridges](#)
- [Memory and font DIMMs](#)
- [Clean the product](#)
- [Firmware updates](#)

Information pages

Use the control panel to print information pages that give details about the product and its current settings.

1. Press the **OK** button to open the menus.
2. Use the arrow buttons to select the **Reports** menu, and then press the **OK** button.
3. Use the arrow buttons to navigate through the reports, and then press the **OK** button to print a report.
4. Press the cancel button  to exit the menus.


The following information pages are available:

- Demo Page
- Menu Structure
- Configuration Report
- Supplies Status
- Network Summary
- Usage Page
- PCL Font List
- PS Font List
- PCL6 Font List
- Color Usage Log
- Service Page
- Diagnostics Page

HP ToolboxFX

Open HP ToolboxFX

Open HP ToolboxFX in one of these ways:

- In the Windows system tray, double-click the HP ToolboxFX icon ().
- On the Windows **Start** menu, click **Programs** (or **All Programs** in Windows XP and Vista), click **HP**, click **HP Color LaserJet CP5220 Series**, and then click **HP ToolboxFX**.

HP ToolboxFX contains the following folders:

- **Status** (see [Status on page 68](#))
- **Alerts** (see [Alerts on page 69](#))
- **Product information** (see [Product information on page 69](#))
- **Help** (see [Help on page 70](#))
- **System Settings** (see [System Settings on page 71](#))
- **Print Settings** (see [Print Settings on page 74](#))
- **Network Settings** (network models only) (see [Network Settings on page 74](#))

Status

The **Status** folder contains links to the following main pages:

- **Device status.** This page indicates product conditions such as a jam or an empty tray. After you correct a problem, click **Refresh status** to update the product status.
- **Supplies status.** View details such as the approximate percent of toner remaining in the print cartridge and the approximate number of pages that have been printed with the current print cartridge. This page also has links for ordering supplies and for finding recycling information.
- **Device configuration.** View a detailed description of the current product configuration, including the amount of memory installed and whether optional trays are installed.
- **Network summary.** View a detailed description of the current network configuration, including the IP address and network status.
- **Reports.** Print the configuration page and other information pages, such as the supplies status page. See [Information pages on page 66](#).
- **Color usage job log.** View color usage information for recently printed documents.
- **Event log.** View a history of product events. The most recent event is listed first.

Event log

The event log is a table that contains codes corresponding to error messages that have appeared on the product control-panel display, a brief description of each error, and the number of pages that printed when each error occurred. For more information about error messages, see [Interpret control-panel and status-alert messages on page 93](#).

Alerts

The **Alerts** folder contains links to the following main pages:

- **Set up Status Alerts.** Set up the product to send you pop-up alerts for certain events, such as low levels of cartridge life.
- **Set up E-mail Alerts.** Set up the product to send you e-mail alerts for certain events, such as low levels of cartridge life.

Set up Status Alerts

Use this to set up the product so that it sends alerts to your computer when jams, low levels of cartridge life in HP print cartridges, a non-HP print cartridge in use, empty input trays, and specific error messages occur.


Select to receive a pop-up, a system tray icon, a desktop alert, or any combination of these. The pop-up and desktop alerts only appear when the product is printing from the computer on which you set up the alerts. Desktop alerts are only visible momentarily, and disappear automatically.

Change the **Cartridge low threshold** setting, which sets the toner level that causes a low toner alert, on the **System setup** page.

 **NOTE:** You must click **Apply** before your changes take effect.

Set up E-mail Alerts

Use this to configure up to two e-mail addresses to receive alerts when certain events occur. You can specify different events for each e-mail address. Use the information for the e-mail server that will send out the e-mail alert messages for the product.

 **NOTE:** You can only configure e-mail alerts to be sent from a server that does not require user authentication. If your e-mail server requires you to log in with a username and password, you cannot enable e-mail alerts.

NOTE: You must click **Apply** before your changes take effect.

Product information

The **Product information** folder contains links to the following page:

- **Demonstration Pages.** Print pages that show the color print quality potential and overall print characteristics of the product.

Set password

Use HP ToolboxFX or the embedded Web server to set a system password.

1. In the embedded Web server, click the **System** tab.
In HP ToolboxFX, click the **Device Settings** tab.
2. Click **Product Security**.
3. In the **Password** box, type the password that you want to set, and then in the **Confirm password** box, type the same password again to confirm your choice.
4. Click **Apply** to save the password.



NOTE: If a password has already been set, you are prompted for it. Type the password, and then click **Apply**.

Help

The **Help** folder contains links to the following main pages:

- **Troubleshooting.** View troubleshooting help topics, print troubleshooting pages, clean the product, and open Microsoft Office Basic Colors. For more information about Microsoft Office Basic Colors, see [Match colors on page 60](#).
- **Paper and Print Media.** Print information about how to obtain optimal results from your product using various types of paper and print media.
- **Color Printing Tools.** Open Microsoft Office Basic Colors or the full palette of color with associated RGB values. For more information about Microsoft Office Basic Colors, see [Match colors on page 60](#). Use the HP Basic Color Match to adjust spot colors in your printed output.
- **Animated Demonstrations.** View animations that demonstrate how to perform common tasks on your product, such as how to get the best print quality, how to remove paper jams, and how to replace a print cartridge.
- **User Guide.** View information about the product usage, warranty, specifications, and support. The User Guide is available in both HTML and PDF format.

System Settings

The **System Settings** folder contains links to the following main pages:

- **Device Information.** View information such as the product description and a contact person.
- **Paper Setup.** Configure trays or change the product paper-handling settings, such as default paper size and default paper type.
- **Print Quality.** Change the print-quality settings.
- **Print Density.** Change the print-density settings, such as contrast, highlights, midtones, and shadows.
- **Paper Types.** Change the mode settings for each media type, such as letterhead, prepunched, or glossy paper.
- **Extended Print Modes.** Change the product fuser mode settings to enhance print quality.
- **System Setup.** Change the system settings, such as jam recovery and auto-continue. Change the low cartridge setting, which sets the toner level that causes a low toner alert.
- **Save/Restore Settings.** Save the current settings for the product to a file on your computer. Use this file to load the same settings onto another product or to restore these settings to this product at a later time.
- **Product Security.** Set a password to protect the product settings. Once a password is set, users will be prompted to enter the password before being allowed to change product settings. Setting the password on this page also sets the embedded Web server password.

Device Information

This page stores data about the product for future reference. The information that you type in the fields on this page appears on the configuration page. You can type any character in each of these fields.



NOTE: You must click **Apply** before your changes take effect.

Paper Setup

Use these options to configure your default settings. These are the same options that are available on the control-panel menus on the control panel. For more information, see [Control-panel menus on page 9](#).

The following options are available for handling print jobs when the product is out of media:

- Select **Wait for paper to be loaded**.
- Select **Wait forever** from the **Paper out action** drop-down list to wait indefinitely.
- Select **Cancel** from the **Paper out action** drop-down list to cancel the print job.
- Select **Override** from the **Paper out action** drop-down list to send the print job to another paper tray.

The **Paper out time** field specifies how long the product waits before acting on your selections. You can specify from 0 to 3600 seconds.

 **NOTE:** You must click **Apply** before your changes take effect.

Print Quality

Use these options to improve the appearance of your print jobs. These are the same options that are available on the control panel menus. For more information, see [Control-panel menus on page 9](#).

Color Calibration

- **Power On Calibration.** Specify whether the product should calibrate when you turn it on.
- **Calibration Timing.** Specify how frequently the product should calibrate.
- **Calibrate Now.** Set the product to calibrate immediately.

 **NOTE:** You must click **Apply** before your changes take effect.

Print Density

Use these settings to make fine adjustments in the amount of each color of toner that is used for your printed documents.

- **Contrasts.** Contrast is the range of difference between light (highlight) and dark (shadow) colors. To increase the overall range between light and dark colors, increase the **Contrasts** setting.
- **Highlights.** Highlights are colors that are nearly white. To darken highlight colors, increase the **Highlights** setting. This adjustment does not affect midtone or shadow colors.
- **Midtones.** Midtones are colors that are halfway between white and solid density. To darken midtone colors, increase the **Midtones** setting. This adjustment does not affect highlight or shadow colors.
- **Shadows.** Shadows are colors that are nearly solid density. To darken shadow colors, increase the **Shadows** setting. This adjustment does not affect highlight or midtone colors.

Paper Types

Use these options to configure print modes that correspond to the various media types. To reset all modes to factory default settings, select **Restore modes**.

 **NOTE:** You must click **Apply** before your changes take effect.

Extended Print Modes

Use these options to configure the product extended fuser modes to enhance print quality.

System Setup

Use these system settings to configure miscellaneous print settings. These settings are not available on the control panel.

 **NOTE:** You must click **Apply** before your changes take effect.

Save/Restore Settings

Save the current settings for the product to a file on your computer. Use this file to load the same settings onto another product or to restore these settings to this product at a later time.

Product Security

Set a password to protect the product settings. After a password is set, users will be prompted to enter the password before they can access any of the HP ToolboxFX pages that read or write data from the product. Setting the password on this page also sets the embedded Web server password.

Print Settings

The **Print Settings** folder contains links to the following main pages:

- **Printing.** Change the default product print settings, such as number of copies and paper orientation.
- **PCL5.** Change the PCL settings.
- **PostScript.** Change the PS settings.

Printing

Use these options to configure the settings for all print functions. These are the same options that are available on the control panel. For more information, see [Control-panel menus on page 9](#).

 **NOTE:** You must click **Apply** before your changes take effect.

PCL5

Use these options to configure the settings when you are using the PCL print personality.

 **NOTE:** You must click **Apply** before your changes take effect.

PostScript

Use this option when you are using the PostScript print personality. When the **Print PostScript error** option is turned on, the PostScript error page automatically prints when PostScript errors occur.

 **NOTE:** You must click **Apply** before your changes take effect.

Network Settings

The network administrator can use this tab to control the network-related settings for the product when it is connected to an IP-based network.

Shop for Supplies

This button, at the top of each page, links to a Web site where you can order replacement supplies. You must have Internet access to use this feature.

Other Links


This section contains links that connect you to the Internet. You must have Internet access in order to use any of these links. If you use a dial-up connection and did not connect when you first opened

HP ToolboxFX, you must connect before you can visit these Web sites. Connecting might require that you close HP ToolboxFX and reopen it.

- **Support and Troubleshooting.** Connects to the support site for the product where you can search for help with a specific problem.
- **Product Registration.** Connects to the HP product registration Web site.

Embedded Web server

When the product is connected to the network, the embedded Web server is automatically available. The embedded Web server can be accessed through a standard Web browser

 **NOTE:** When the product is directly connected to a Windows computer, use HP ToolboxFX to view the product status.


Use the embedded Web server to view product and network status and to manage printing functions from your computer instead of from the product control panel.

- View product control status information.
- Set the type of paper loaded in each tray.
- Determine the remaining life of all supplies and order new ones.
- View and change tray configurations.
- View and change the product settings.
- View and change network configuration.
- View support content that is specific to the current state of the product.

To use the embedded Web server, you must have Microsoft Internet Explorer 6 or later, Netscape Navigator 7 or later, Safari 1.2 or later, Konqueror 3.2 or later, Firefox 1.0 or later, Mozilla 1.6 or later, or Opera 7 or later. The embedded Web server works when the product is connected to an IP-based network. The embedded Web server does not support IPX-based or AppleTalk printer connections. You do not need Internet access to open and use the embedded Web server.

View the HP Embedded Web Server

1. In a supported Web browser on your computer, type the IP address for the product in the address/URL field. (To find the IP address, print a configuration page. See [Information pages on page 66](#).)

 **NOTE:** After you open the URL, you can bookmark it so that you can return to it quickly in the future.

NOTE: In a Macintosh operating system, click the **Utility** button.

2. The embedded Web server has four tabs that contain settings and information about the product: the **Status** tab, the **System** tab, the **Print** tab, and the **Networking** tab. Click the tab that you want to view.

See the following section for more information about each tab.

Embedded Web server sections

The table below describes the basic screens of the embedded Web server.

| Tab or section | Description |
|---|--|
| Status tab Provides product, status, and configuration information. | <ul style="list-style-type: none">• Device Status: Shows the product status and shows the approximate life remaining for HP supplies.• Supplies Status: Shows the approximate life remaining for HP supplies. This page also provides supplies part numbers.• Device Configuration: Shows the information found on the product configuration page.• Network Summary: Shows the information found on the product network summary page.• Reports: Allows you to print the configuration page, supplies status page, network summary, usage page, diagnostics page, color usage log, PCL font list, PCL 6 font list, and PS font list that the product generates.• Color Usage Job Log: Shows user color print jobs on a job-by-job basis.• Event Log: Shows a list of all product events and errors.• Support button: Provides a link to the product support page. The Support button can be password-protected; see Set password on page 69• Shop for Supplies button: Provides a link to a page where you can order supplies for the product. The Shop for Supplies button can be password-protected; see Set password on page 69 |

| Tab or section | Description |
|---|--|
| <p>System tab</p> <p>Provides the ability to configure the system settings from a computer.</p> | <ul style="list-style-type: none"> • Device Information: Allows you to name the product and assign an asset number to it. Enter the name for the primary contact who will receive information about the product. • Paper Setup: Allows you to change the paper-handling defaults for the product. • Print Quality: Allows you to change the print quality defaults for the product, including calibration settings. • Print Density: Allows you to change the contrasts, highlights, midtones, and shadows values for each supply. • Paper Types: Allows you to configure print modes that correspond to the media types that the product accepts. • Extended Print Modes: Allows you to configure the product extended fuser modes to enhance print quality. • System Setup: Allows you to set the Sleep Delay, Consumable User-Defined Low percentage, and the product language. • Service: Allows you to start the cleaning procedure on the product. • Product Security: Allows you to set up a system password. • Support button: Provides a link to the product support page. The Support button can be password-protected. • Shop for Supplies button: Provides a link to a page where you can order supplies for the product. The Shop for Supplies button can be password-protected. <p>NOTE: The System tab can be password-protected; see Set password on page 69. If this product is on a network, always consult with the printer administrator before changing settings on this tab.</p> |
| <p>Print tab</p> <p>Provides the ability to configure PDL-specific product settings.</p> | <ul style="list-style-type: none"> • Printing: Allows you to change the printing defaults for the product. • PCL 5c: Allows you to change the PCL 5c defaults for the product. • PostScript: Allows you to change the PostScript defaults for the product. • Support button: Provides a link to the product support page. The Support button can be password-protected. • Shop for Supplies button: Provides a link to a page where you can order supplies for the product. The Shop for Supplies button can be password-protected. <p>NOTE: The Networking, System, and Print tabs can be password protected; see Set password on page 69.</p> |
| <p>Networking tab</p> <p>Provides the ability to change network settings from your computer.</p> | <p>Network administrators can use this tab to control network-related settings for the product when it is connected to an IP-based network.</p> <p>NOTE: The Networking, System, and Print tabs can be password protected; see Set password on page 69.</p> |

Manage supplies

Supplies life

In June 2006, the International Organization for Standardization (ISO) published the ISO/IEC 19798 toner cartridge yield standard for color laser printers. HP actively participated in developing this standard and enthusiastically supports its industry-wide use. The standard addresses a broad range of important factors that affect yield and yield measurement, including the test document, print job size, print-quality modes, end-of-life determination, sample size and environmental conditions. A broadly adopted standard of this rigor represents a breakthrough in giving customers yield information that can be accurately compared. Specific cartridge yield information can be found at: h10060.www1.hp.com/pageyield/index.html.

Print-cartridge storage

Do not remove the print cartridge from its package until you are ready to use it.

△ **CAUTION:** To prevent damage to the print cartridge, do not expose it to light for more than a few minutes.

HP policy on non-HP print cartridges

Hewlett-Packard Company cannot recommend the use of non-HP print cartridges, either new or remanufactured.

✍ **NOTE:** Any damage caused by a non-HP print cartridge is not covered under the HP warranty and service agreements.

To install a new HP print cartridge, see [Change print cartridges on page 81](#). To recycle the used cartridge, follow the instructions included with the new cartridge. For more information about recycling, see [Return and recycling instructions on page 142](#).

HP fraud hotline and Web site

Call the HP fraud hotline (1-877-219-3183, toll-free in North America) or go to www.hp.com/go/anticounterfeit when you install an HP print cartridge and the control-panel message says the cartridge is non-HP. HP will help determine if the cartridge is genuine and take steps to resolve the problem.

Your print cartridge might not be a genuine HP print cartridge if you notice the following:

- You are experiencing a high number of problems with the print cartridge.
- The cartridge does not look like it usually does (for example, the orange pull tab is missing, or the packaging differs from HP packaging).

Print when cartridge is at estimated end of life

A **<Supply> Low** message—where <Supply> is the color cartridge—appears when a print cartridge is nearing the end of its life. A **<Supply> Very Low** message appears when the print cartridge is at its estimated end of life. To ensure optimal print quality, HP recommends replacing a print cartridge when the **<Supply> Very Low** message appears. Print-quality problems can occur when using a cartridge that is at its estimated end of life, resulting in waste of print media and toner from other cartridges. Replacing a print cartridge when the **<Supply> Very Low** message appears can prevent this waste. The supply does not need to be replaced at this point in time unless the print quality is no longer acceptable. Once an HP supply has reached “very low”, HP’s premium Protection Warranty on that supply has ended.

⚠ WARNING! Using the **Continue** setting can result in unsatisfactory print quality.

WARNING! All print defects or supply failures incurred when an HP supply is used in continue at very low mode will not be considered to be defects in materials or workmanship in the supply under the HP Print Cartridge Warranty Statement. For warranty information, see [Print cartridge limited warranty statement on page 131](#).


You can enable or disable the **Continue** feature at any time, and you do not have to re-enable it when you install a new print cartridge. When the **At Very Low** menu is set to **Continue**, the product automatically continues printing when a print cartridge reaches the recommended replacement level. The **<Supply> Very Low** message appears while a print cartridge is being used in continue at very low mode.

Enable or disable the continue at very low feature from the control panel

1. On the control panel, press the **OK** button.
2. Use the arrow buttons to select the **System Setup** menu, and then press the **OK** button.
3. Use the arrow buttons to select the **At Very Low** menu, and then press the **OK** button.
4. Use the arrow buttons to select the **Black Cartridge** menu or the **Color Cartridge** menu, and then press the **OK** button.
5. Select one of the following options.
 - Select the **Continue** option to enable the continue at very low feature.
 - Select the **Stop** option to disable the continue at very low feature.
 - Select the **Prompt** option to prompt the user to continue before the product will print the job.
 - Select the **Print Black** option (**Color Cartridge** menu only) to force the product to print with only the black cartridge when one of the color cartridges reaches very low status.


Change print cartridges

When a print cartridge approaches the end of its estimated useful life, the control panel displays a message recommending that you order a replacement. The product can continue to print using the current print cartridge until the control panel displays a message instructing you to replace the cartridge, unless you have selected the option to override the message by using the **Replace supplies** menu. For more information about the **Replace supplies** menu, see [System Setup menu on page 11](#).

 **NOTE:** Cartridge life remaining is used to determine if a supply is near or at estimated end of life. Cartridge life remaining is approximate only and varies depending on types of documents printed and other factors.

The product uses four colors and has a different print cartridge for each color: black (K), magenta (M), cyan (C), and yellow (Y).

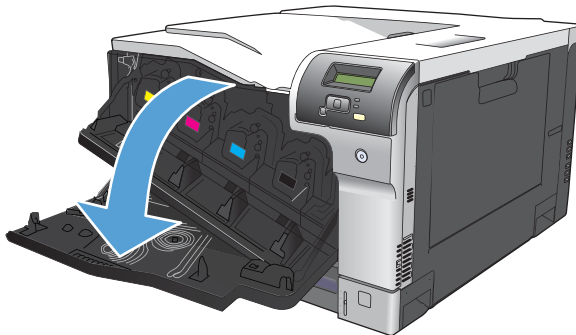
You can replace a print cartridge when the print quality is no longer acceptable. The control-panel message also indicates the color of the cartridge that has reached the end of its estimated useful life (for cartridges that are not used). Replacement instructions are provided on the label on the print cartridge.

 **CAUTION:** If toner gets on clothing, wipe it off with a dry cloth and wash the clothes in cold water. Hot water sets toner into fabric.

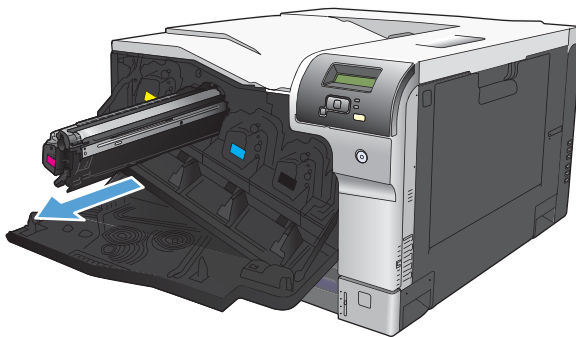
 **NOTE:** Information about recycling used print cartridges is on the print-cartridge box.

Replace print cartridges

1. Open the front door. Make sure that the door is completely open.

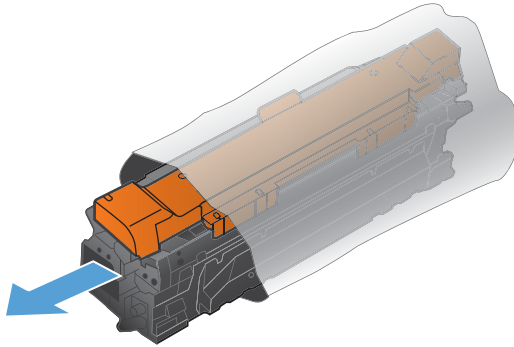



2. Grasp the handle of the used print cartridge and pull out to remove.

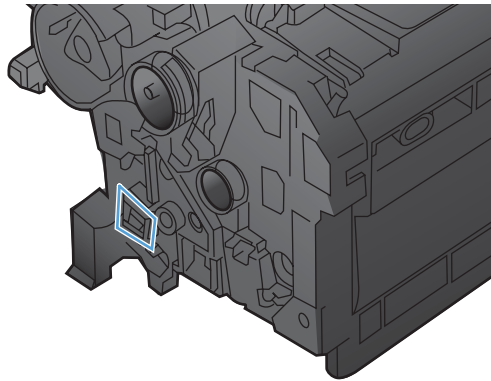


3. Store the used print cartridge in a protective bag. Information about recycling used print cartridges is on the print-cartridge box.

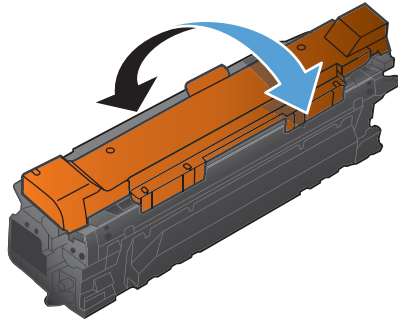
4. Remove the new print cartridge from its protective bag.



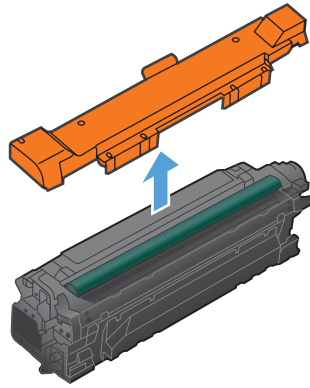
 **NOTE:** Be careful not to damage the memory tag on the print cartridge.



5. Grasp both sides of the print cartridge and distribute the toner by gently rocking the print cartridge.



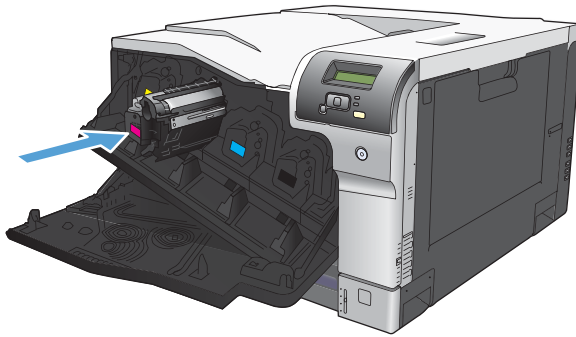
6. Remove the orange protective cover from the print cartridge. Place the protective cover on the used print cartridge to protect it during shipping.



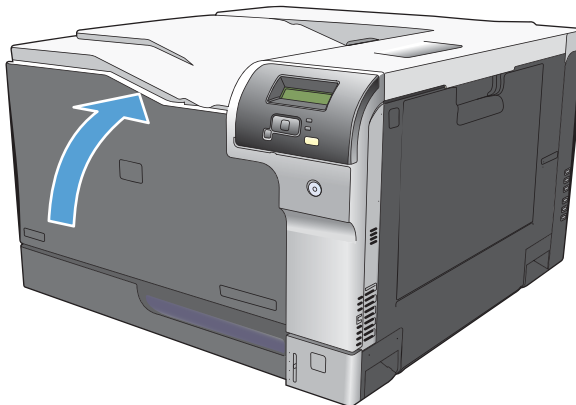
△ **CAUTION:** Avoid prolonged exposure to light.

CAUTION: Do not touch the green roller. Doing so can damage the cartridge.

7. Align the print cartridge with its slot and insert the print cartridge until it clicks into place.



8. Close the front door.



Memory and font DIMMs

Product memory


The product has one dual inline memory module (DIMM) slot. Use the DIMM slot to upgrade the product with the following items:

- More product memory (DIMMs are available in 64, 128, and 256 MB)
- Other DIMM-based printer languages and product options
- Support-language character sets (for example, Chinese characters or Cyrillic alphabet characters).

 **NOTE:** To order DIMMs, see [Supplies and accessories on page 127](#).

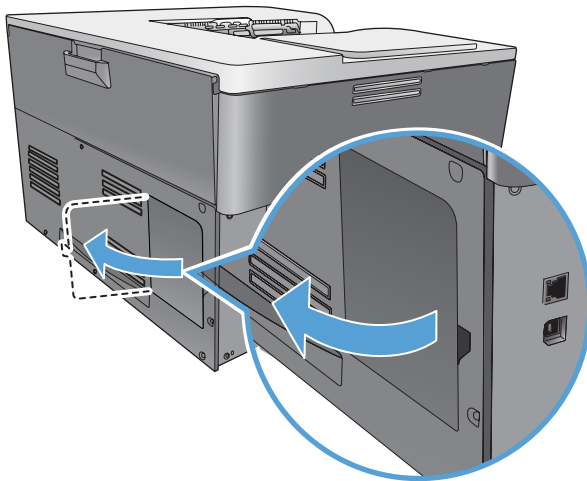
You might want to increase product memory if you often print complex graphics or HP postscript level 3 emulation documents, or if you use many downloaded fonts. Additional memory also enables multiple collated copies to print at the maximum speed.

Before ordering additional memory, see how much memory is currently installed by printing a configuration page. See [Information pages on page 66](#).

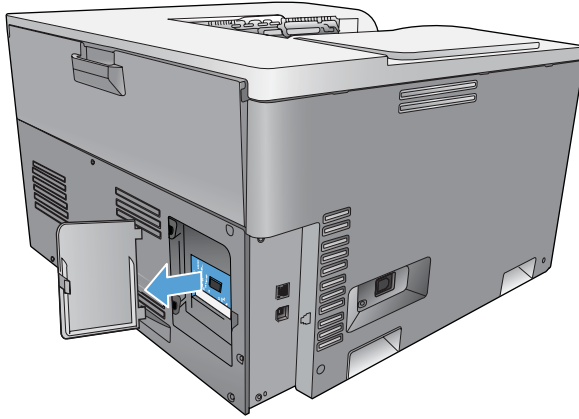
 **CAUTION:** Static electricity can damage electronic parts. When installing DIMMs, either wear an antistatic wrist strap, or frequently touch the surface of the DIMM antistatic package and then touch bare metal on the product.

Install memory and font DIMMs

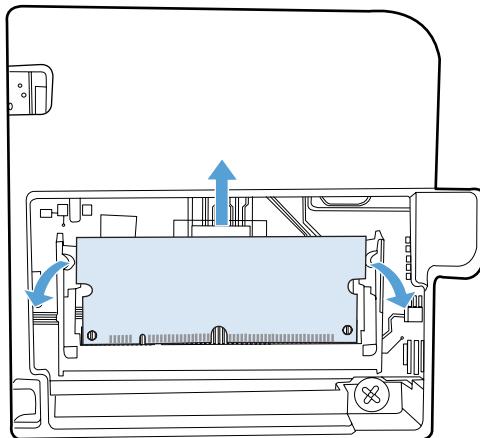
1. Turn the product off, and then disconnect all power and interface cables.
2. On the back of the product, open the DIMM access door.



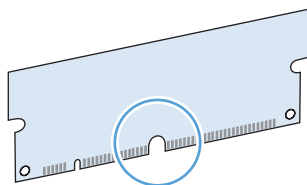
3. Remove the DIMM access door.



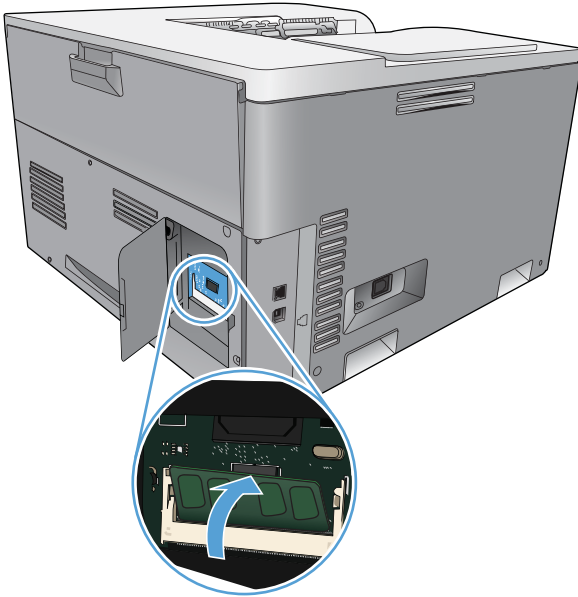
4. To replace a DIMM that is currently installed, spread the latches apart on each side of the DIMM slot, lift the DIMM up at an angle, and pull it out.



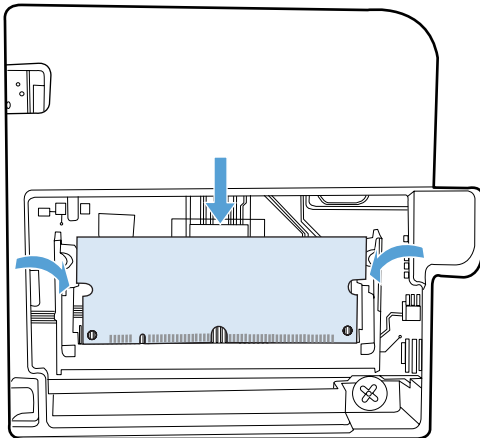
5. Remove the new DIMM from the antistatic package, and then locate the alignment notch on the bottom edge of the DIMM.




6. Holding the DIMM by the edges, align the notch on the DIMM with the bar in the DIMM slot at an angle.

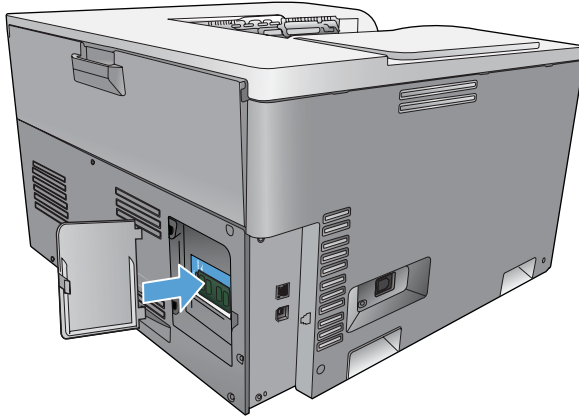


7. Push down on the DIMM until both latches engage the DIMM. When the installation is correct, the metal contacts are not visible.

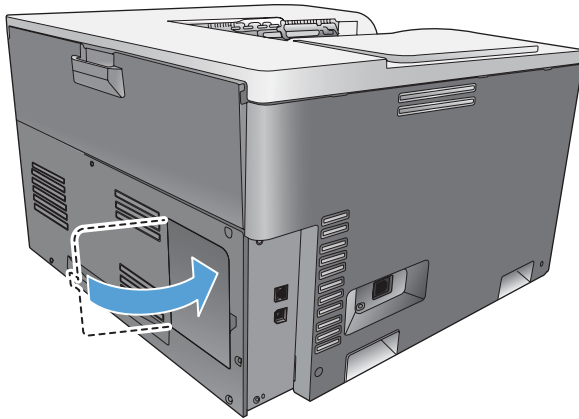


 **NOTE:** If you have difficulty inserting the DIMM, make sure that the notch on the bottom of the DIMM is aligned with the bar in the slot. If the DIMM still does not go in, make sure that you are using the correct DIMM type.

8. Reinsert the DIMM access door.



9. Close the DIMM access door.



10. Reconnect the power cable and USB or network cable, and then turn on the product.
11. After installing a memory DIMM, see [Enable memory on page 88](#).

Enable memory

If you installed a memory DIMM, set the printer driver to recognize the newly added memory.

Enable memory for Windows

1. On the **Start** menu, point to **Settings**, and click **Printers** or **Printers and Faxes**.
2. Select this product, and then select **Properties**.
3. On the **Configure** tab, click **More**.
4. In the **Total Memory** field, type or select the total amount of memory that is now installed.
5. Click **OK**.

Check DIMM installation

Turn the product on. Check that the product is in the **Ready** state after it has gone through the startup sequence. If an error message appears, do the following:

1. Print a configuration page. See [Information pages on page 66](#).
2. Check the Installed Personalities and Options section on the configuration page and compare it with the configuration page that you printed before the DIMM installation.
3. The DIMM might not be installed correctly. Repeat the installation procedure.

-or-

The DIMM may be defective. Try a new DIMM.

Clean the product

During the printing process, paper, toner, and dust particles can accumulate inside the product. Over time, this buildup can cause print-quality problems such as toner specks or smearing. This product has a cleaning mode that can correct and prevent these problems.

Clean the product using HP ToolboxFX

1. Open HP ToolboxFX. See [Open HP ToolboxFX on page 67](#).
2. Click the **System Settings** folder, and then click the **Service** page.
3. In the area for **Cleaning Mode**, click the **Start** button to begin the cleaning process.

The product processes a single page, and then returns to the **Ready** state when the cleaning process is complete.

Clean the product using the control panel

1. Press the **OK** button to open the menus.
2. Press the arrow buttons to highlight the **Service** menu, and then press the **OK** button.
3. Press the arrow buttons to highlight the **Cleaning Mode** menu, and then press the **OK** button.
4. Follow the control-panel instructions to complete the process.

Clean the product using the embedded Web server

1. Open the embedded Web server.
2. Click the **System** tab.
3. Click the **Service** menu.
4. Click the **Start** button.
5. Follow the product control-panel instructions to complete the process.

Firmware updates

To upgrade the product firmware, download the firmware update file from www.hp.com/go/ljcp5220series_software and save the file to your network or personal computer. Refer to the product install notes for instructions on how to install the firmware update file on the product.

10 Solve problems

- [Basic troubleshooting checklist](#)
- [Interpret control-panel and status-alert messages](#)
- [Restore factory settings](#)
- [Clear jams](#)
- [Solve image-quality problems](#)
- [Solve performance problems](#)
- [Product software problems](#)
- [Solve common Windows problems](#)
- [Solve Macintosh problems](#)

Basic troubleshooting checklist

If you are experiencing problems with the product, use the following checklist to identify the cause of the problem:

- Is the product connected to power?
- Is the product on?
- Is the product in the **Ready** state?
- Are all necessary cables connected?
- Are genuine HP supplies installed?
- Were recently replaced print cartridges installed correctly, and was the pull tab on the cartridge removed?

For additional information about installation and setup, see the getting started guide.

If you cannot find solutions to problems in this guide, go to www.hp.com/support/ljcp5220series.

Factors that affect product performance


Several factors affect the time it takes to print a job:

- Maximum product speed, measured in pages per minute (ppm)
- The use of special paper (such as transparencies, heavy paper, and custom-size paper)
- Product processing and download time
- The complexity and size of graphics
- The speed of the computer you are using
- The USB connection

Interpret control-panel and status-alert messages

The control-panel messages indicate the current product status or situations that might require action.

Status-alert messages appear on the computer screen (in addition to control-panel messages) when the product has certain problems. If a status-alert message is available, a ✓ appears in the **Status alert** column in the following table.

Control-panel messages appear temporarily and might require that you acknowledge the message by pressing the **OK** button to resume printing or by pressing the cancel button  to cancel the job. With certain messages, the job might not finish printing or the print quality might be affected. If the message is related to printing and the auto-continue feature is on, the product will attempt to resume printing after the message has appeared for 10 seconds without acknowledgement.

For some messages, restarting the product might fix the problem. If a critical error persists, the product might require service.

| Control-panel message | Status alert | Description | Recommended action |
|------------------------------|--------------|---|--|
| 10.10.XX Supply error | ✓ | <ul style="list-style-type: none"> 10.1000 = black supply memory is missing 10.1001 = cyan supply memory is missing 10.1002 = magenta supply memory is missing 10.1003 = yellow supply memory is missing | <p>Check the e-label. If it is broken or damaged, replace the cartridge.</p> <p>Verify that the cartridge is installed in the correct location.</p> <p>Remove and reinstall the cartridge and then power-cycle the product.</p> <p>If the error is with a color cartridge, try swapping it with a different color cartridge in the tray. If the same message appears, then there is an engine problem. If a different 10.10.XX message appears, replace the cartridge.</p> |
| 10.XXXX Supply error | ✓ | <p>The supply memory for one of the print cartridges cannot be read or is missing.</p> <ul style="list-style-type: none"> 10.0000 = black supply memory error 10.0001 = cyan supply memory error 10.0002 = magenta supply memory error 10.0003 = yellow supply memory error | <p>Reinstall the print cartridge.</p> <p>Turn the product off and then on.</p> <p>If the problem is not solved, replace the cartridge.</p> |

| Control-panel message | Status alert | Description | Recommended action |
|---|--------------|---|---|
| 49 Error Turn off then on | | The product experienced an internal error. | Turn the product off, wait at least 30 seconds, and then turn the product on and wait for it to initialize. If you are using a surge protector, remove it. Plug the product directly into the wall socket. Turn the product power on. If the message persists, contact HP support. |
| 50.X Fuser error Turn off then on | ✓ | The product has experienced an error with the fuser. | Turn the product power off, wait at least 30 seconds, and then turn the product power on and wait for it to initialize. Turn off the product, wait at least 25 minutes, and then turn on the product. If you are using a surge protector, remove it. Plug the product directly into the wall socket. Turn the product power on. If the message persists, contact HP support. |
| 51.XX Error Turn off then on | ✓ | The product has experienced an internal hardware error. | Turn the product power off, wait at least 30 seconds, and then turn the product power on and wait for it to initialize. If you are using a surge protector, remove it. Plug the product directly into the wall socket. Turn the product on. If the message persists, contact HP support. |

| Control-panel message | Status alert | Description | Recommended action |
|---|--------------|---|---|
| 54.XX Error Turn off then on | ✓ | The product has experienced an error with one of the internal sensors. <ul style="list-style-type: none"> • 54.15 = yellow • 54.16 = magenta • 54.17 = cyan • 54.18 = black | <ol style="list-style-type: none"> 1. Open the door to the cartridge tray and slide out the cartridge tray. 2. Inspect the white mechanism on the relevant cartridge. It is located on the right side of the cartridge. 3. Push the mechanism in and out slowly. A black flag will raise up as you push it. It should move smoothly. If not, push repeatedly to try to free up any potential obstruction. 4. Push in the cartridge tray and close the door. <p>If the message persists, contact HP support.</p> |
| 55.X Error Turn off then on | ✓ | The product has experienced an internal error. | <p>Turn the product power off, wait at least 30 seconds, and then turn the product power on and wait for it to initialize.</p> <p>If you are using a surge protector, remove it. Plug the product directly into the wall socket. Turn the product power on.</p> <p>If the message persists, contact HP support.</p> |
| 57.X Fan error Turn off then on | ✓ | The product has experienced a problem with its internal fan. | <p>Turn the product power off, wait at least 30 seconds, and then turn the product power on and wait for it to initialize.</p> <p>If you are using a surge protector, remove it. Plug the product directly into the wall socket. Turn the product power on.</p> <p>If the message persists, contact HP support.</p> |
| 59.X Error Turn off then on | ✓ | The product has experienced a problem with one of the motors. | <p>Turn the product power off, wait at least 30 seconds, and then turn the product power on and wait for it to initialize.</p> <p>If you are using a surge protector, remove it. Plug the product directly into the wall socket. Turn the product power on.</p> <p>If the message persists, contact HP support.</p> |


| Control-panel message | Status alert | Description | Recommended action |
|---|--------------|--|---|
| 79 Error Turn off then on | | The product has experienced an internal firmware error. | Turn the product power off, wait at least 30 seconds, and then turn the product power on and wait for it to initialize. If you are using a surge protector, remove it. Plug the product directly into the wall socket. Turn the product power on. If the message persists, contact HP support. |
| 79 Service error Turn off then on | | An incompatible DIMM is installed. | <ol style="list-style-type: none"> 1. Turn the product power off. 2. Install a DIMM that the product supports. See Service and support on page 129 for a list of supported DIMMs. See Install memory and font DIMMs on page 84 for DIMM installation instructions. 3. Turn the product on. <p>If the message persists, contact HP support.</p> |
| <Color> in wrong position | ✓ | A print cartridge is installed in the incorrect slot. | Be sure that each print cartridge is in the correct slot. From front to back, the print cartridges are installed in this order: black, cyan, magenta, yellow. |
| <Supply> Very Low | ✓ | The System Setup menu item At Very Low is set to Continue . | <p>You can continue printing until you notice a decrease in print quality. Actual cartridge life remaining may vary.</p> <p>Once an HP supply has reached “very low”, HP’s premium Protection Warranty on that supply has ended.</p> <p>See System Setup menu on page 11.</p> |
| Device error Press [OK] | ✓ | An internal error occurred. | Press the OK button to resume the job. |
| Front door open | ✓ | The product front door is open. | Close the door. |
| Genuine HP supply installed | | A genuine HP supply was installed. This message will appear briefly after the supply is installed and then be replaced by the message Ready . | No action necessary. |

| Control-panel message | Status alert | Description | Recommended action |
|---|--------------|--|---|
| Incorrect supplies | ✓ | More than one print cartridge is installed in the incorrect slot. | Be sure that each print cartridge is in the correct slot. From front to back, the print cartridges are installed in this order: black, cyan, magenta, yellow. |
| Install <Color> cartridge | ✓ | The cartridge is either not installed or not correctly installed in the product. | Install the print cartridge. See Change print cartridges on page 81 . |
| Invalid driver Press [OK] | ✓ | You are using an incorrect printer driver. | Select the correct printer driver. |
| Jam in <location> | ✓ | The product has detected a jam. | Clear the jam from the location indicated. The job should continue to print. If it does not, try reprinting the job. If the message persists, contact HP support. |
| Jam in tray <X> Clear jam and then press [OK] | ✓ | The product has detected a jam. | Clear the jam from the location indicated, and then press the OK button. If the message persists, contact HP support. |
| Load paper | ✓ | All trays are empty. | Load print media. |
| Load tray # <TYPE> <SIZE> | ✓ | A tray is configured for the media type and size that the print job is requesting, but that tray is empty. | Load the correct media into the tray, or press the OK button to use media in a different tray. |
| Load tray 1 plain <SIZE> Cleaning Mode [OK] to start | ✓ | The product is ready to process the cleaning operation. | Load Tray 1 with plain paper in the size indicated, and then press the OK button. |
| Load tray 1 <TYPE> <SIZE> | ✓ | No trays are configured for the media type and size that the print job is requesting. | Load the correct media into Tray 1, or press the OK button to use media in a different tray. |
| Manual duplex Load tray X press [OK] | | The first side of a manual duplex job has printed, and the page needs to be loaded to process the second side. | Load the page in the indicated tray with the side to be printed face up, and the top of the page away from you, and then press the OK button. |
| Manual feed <TYPE> <SIZE> Press [OK] for available media | ✓ | The product is set for manual feed mode. | Press the OK button to clear the message or load the correct media into Tray 1. |
| Memory is low Press [OK] Try again later or turn off & on | ✓ | The product memory is almost full. | Press the OK button to finish the job, or press the cancel button  to cancel the job. Break the job into smaller jobs that contain fewer pages. For information about increasing the product memory, see Install memory and font DIMMs on page 84 . |

| Control-panel message | Status alert | Description | Recommended action |
|--|--------------|--|--|
| Misprint Press [OK] | ✓ | Print media has been delayed as it moves through the product. | Press the OK button to clear the message. |
| Non HP supply in use | | A non-HP supply is installed. | This message is temporary and will disappear after several seconds. If you believe you purchased an HP supply, go to www.hp.com/go/anticounterfeit . Service or repairs that are required as a result of using non-HP supplies are not covered under HP warranty. |
| Print failure Press [OK] alternates with If error repeats turn off then on | ✓ | The product cannot process the page. | Press the OK button to continue printing the job, but output might be affected. If the error persists, turn the power off and then on. Resend the print job. |
| Rear door open | ✓ | The product rear door is open. | Close the door. |
| Remove shipping locks from <color> cartridge | ✓ | A print cartridge shipping lock is installed. | Be sure that the print cartridge shipping lock has been removed. |
| Remove shipping locks from all cartridges | ✓ | A print cartridge shipping lock is installed on one or more print cartridges. | Be sure that each print cartridge shipping lock has been removed. |
| Remove shipping material from rear door | ✓ | The two shipping locks have not been removed from the rear roller. | Open the rear door and remove the shipping locks. |
| Replace <color> cartridge | ✓ | The product can be configured to stop when the supply level is very low. The supply might still be able to produce acceptable print quality. | Replace the cartridge if print quality is no longer acceptable. See Change print cartridges on page 81 . |
| Replace supplies | ✓ | More than one supply item is low. | Check the supply-level gauges on the control panel, or, if possible, print a supplies status page to determine which cartridges are low. See Information pages on page 66 . See Supplies and accessories on page 127 for more information. |
| Right door open | ✓ | The product right door is open. | Close the door. |
| Rotate paper by 90 degrees in tray X | ✓ | The paper in the indicated tray is loaded incorrectly. | Open the tray, rotate the media to the correct orientation, and then close the tray. |

| Control-panel message | Status alert | Description | Recommended action |
|---|--------------|--|--|
| Unexpected size in tray # Load <size> press [OK] | ✓ | The product has detected print media in the tray that does not match the configuration for the tray. | Load the correct media into the tray, or configure the tray for the size that you have loaded. See Load trays on page 46 . |
| Used <color> Cartridge in use | ✓ | A used print cartridge was detected and accepted. | No action necessary. |
| Used <color> installed To accept press [OK] | ✓ | The product has detected a used print cartridge that was installed. | Press the OK button to continue. |
| Used cartridges installed To accept press [OK] | ✓ | The product has detected multiple used print cartridges that were installed. | Press the OK button to continue. |
| Used supplies in use | ✓ | Used print cartridges are installed. | No action necessary. |
| Used supply installed To accept press [OK] | ✓ | A used print cartridge is installed. | Press the OK button to continue. |

Restore factory settings

1. On the control panel, press the **OK** button.
2. Use the arrow buttons to select the **Service** menu, and then press the **OK** button.
3. Use the arrow buttons to select the **Restore Defaults** menu, and then press the **OK** button.
4. Press the **OK** button to restore the factory default settings. Press the cancel button  to exit the menu without restoring the factory default settings.

Clear jams

Common causes of jams

Common causes of jams¹

| Cause | Solution |
|--|--|
| The paper length and width guides are not adjusted correctly. | Adjust the guides so they are against the paper stack. |
| The media does not meet specifications. | Use only media that meets HP specifications. See Paper and print media on page 39 . |
| You are using media that has already passed through a printer or copier. | Do not use media that has been previously printed on or copied. |
| An input tray is loaded incorrectly. | Remove any excess media from the input tray. Make sure that the stack is below the maximum stack height mark in the tray. See Load trays on page 46 . |
| The media is skewed. | The input-tray guides are not adjusted correctly. Adjust them so they hold the stack firmly in place without bending it. |
| The media is binding or sticking together. | Remove the media, flex it, rotate it 180 degrees, or flip it over. Reload the media into the input tray. NOTE: Do not fan paper. Fanning can create static electricity, which can cause paper to stick together. |
| The media is removed before it settles into the output bin. | Wait until the page completely settles in the output bin before removing it. |
| The paper is too heavy. | Do not use paper that exceeds the supported weights for the input tray. See Supported paper types and tray capacity on page 43 . Do not use paper that exceeds the supported weight for automatic duplex printing. See Supported paper sizes for duplex printing on page 44 . |
| The media is in poor condition. | Replace the media. |
| The internal rollers from the tray are not picking up the media. | Remove the top sheet of media. If the media is too heavy, it might not be picked from the tray. See Supported paper types and tray capacity on page 43 . |
| The media has rough or jagged edges. | Replace the media. |
| The media is perforated or embossed. | Perforated or embossed media does not separate easily. Load sheets one at a time. |
| Paper was not stored correctly. | Replace the paper in the trays. Paper should be stored in the original packaging in a controlled environment. |

¹ If the product continues to jam, contact HP Customer Support or your authorized HP service provider.

Jam locations

Use this illustration to identify locations of jams. In addition, instructions appear on the control panel to direct you to the location of jammed paper and how to clear it.


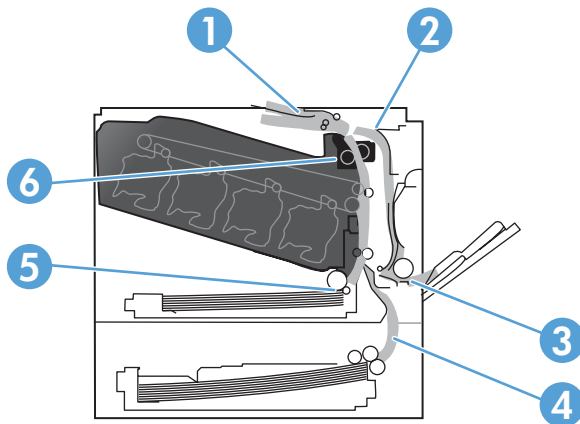
 **NOTE:** Internal areas of the product that might need to be opened to clear jams have green handles or green labels.

Figure 10-1 Jam locations



| | |
|---|--|
| 1 | Output-bin area |
| 2 | Duplexing area |
| 3 | Tray 1 area |
| 4 | Optional 500-sheet paper and heavy media tray (Tray 3) |
| 5 | Tray 2 pickup area |
| 6 | Fuser area |

Change Jam Recovery setting

When the Jam Recovery feature is turned on, the product reprints any pages that are damaged during a jam.

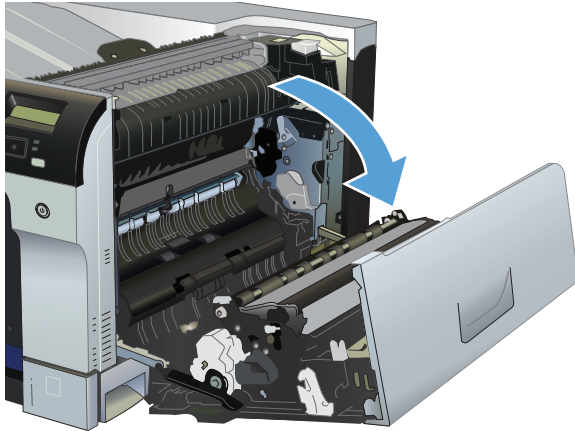
Use the embedded Web server to turn on the Jam Recovery feature.

1. Open the EWS.
2. Click the **System** tab, and then click the **System Setup** page.
3. In the **Jam Recovery** drop-down list, select the **On** option.

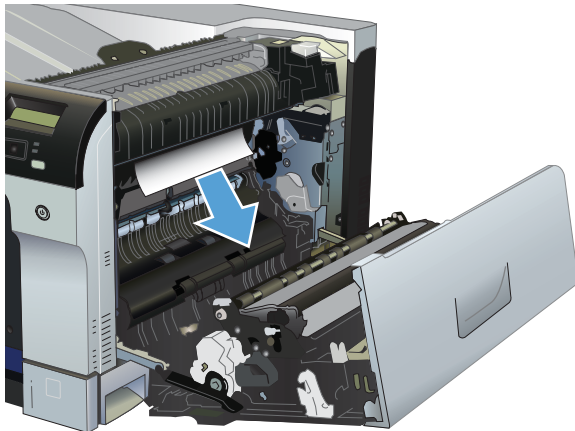
Clear jams in the right door

△ **CAUTION:** The fuser can be hot while the product is in use. Wait for the fuser to cool before handling it.

1. Open the right door.

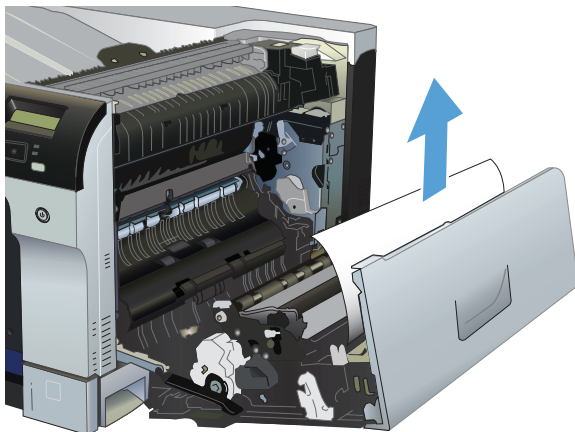


2. If paper is visible entering the bottom of the fuser, gently pull downward to remove it.

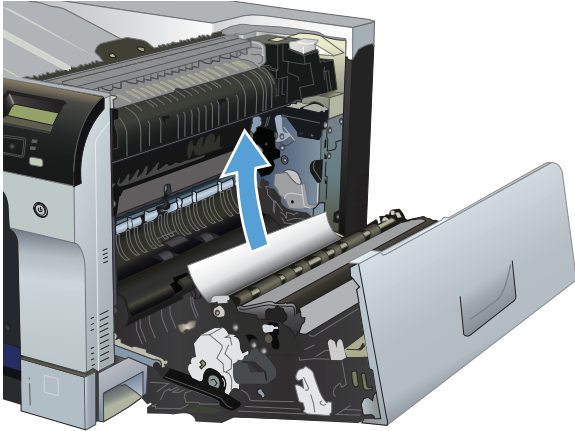


△ **CAUTION:** Do not touch the rollers. Contaminates can affect print quality.

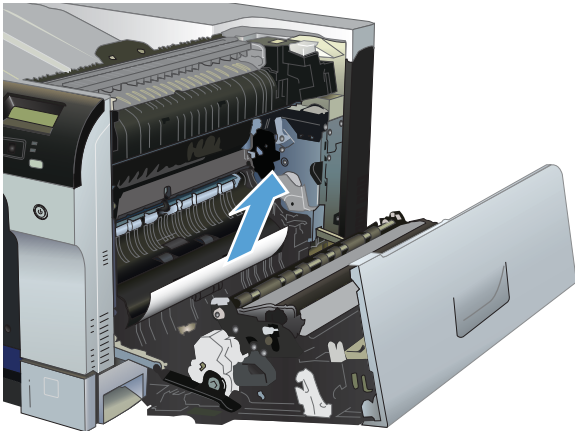
3. If paper is jammed inside the right door, gently pull the paper to remove it.



4. If jammed paper is present in the duplex path, gently pull the paper straight out to remove it.



5. Gently pull the paper out of the Tray 2 or Tray 3 pickup areas.

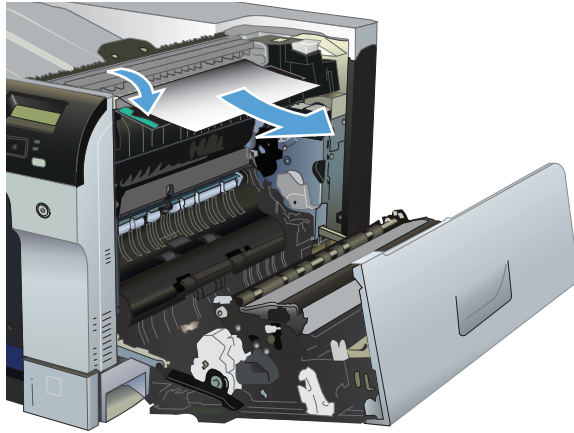


6. Paper could be jammed inside the fuser where it would not be visible. Open the fuser to check for jammed paper inside.

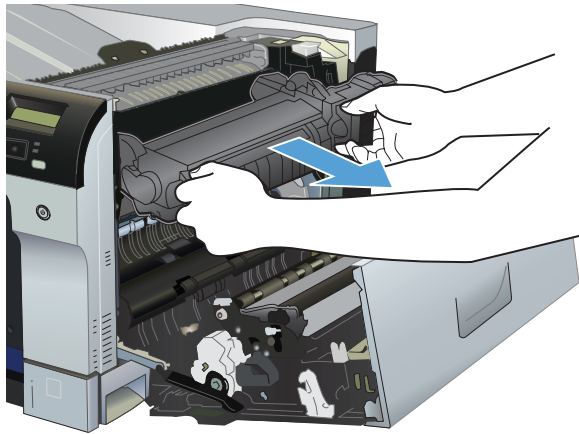
△ **CAUTION:** The fuser can be hot while the product is in use. Wait for the fuser to cool before handling it.

- a. Lift the green tab on the left side of the fuser to open the fuser jam-access door. If paper is jammed inside the fuser, gently pull it straight out to remove it. If the paper tears, remove all paper fragments.

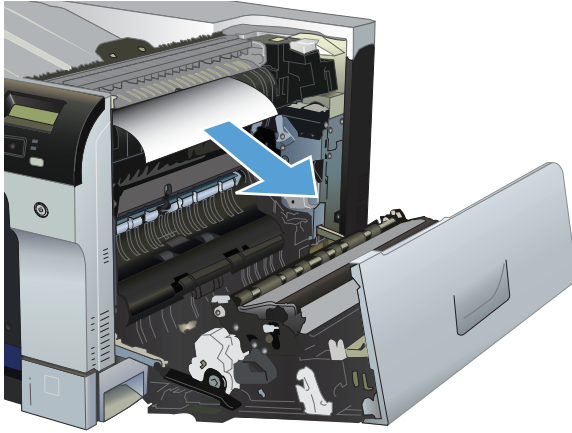
△ **CAUTION:** Even if the body of the fuser has cooled, the rollers that are inside could still be hot. Do not touch the fuser rollers until they have cooled.



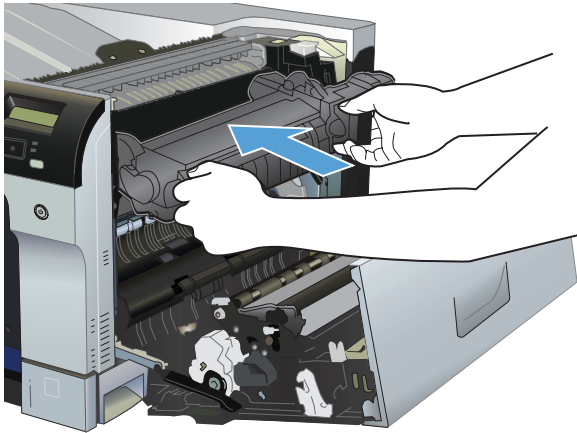
- b. If paper is not visible in the fuser, paper might be jammed underneath the fuser. To remove the fuser, grasp the fuser handles, lift up slightly, and pull straight out.



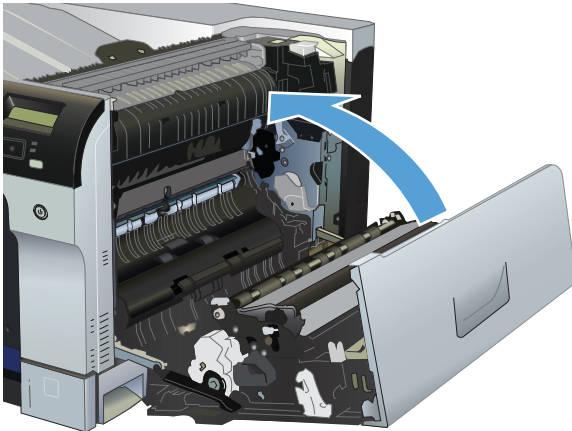
- c. If jammed paper is present in the fuser cavity, gently pull the paper straight out to remove it.



- d. Reinstall the fuser.

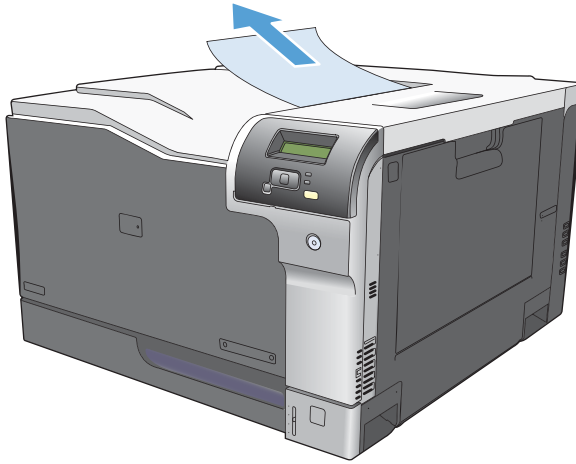


7. Close the right door.

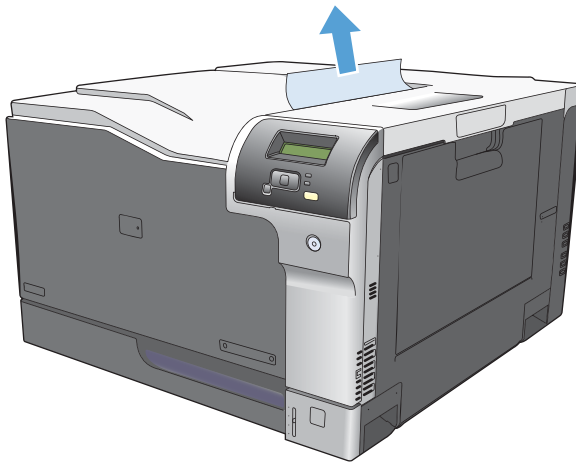


Clear jams in the output bin area

1. If paper is visible from the output bin, grasp the leading edge and remove it.

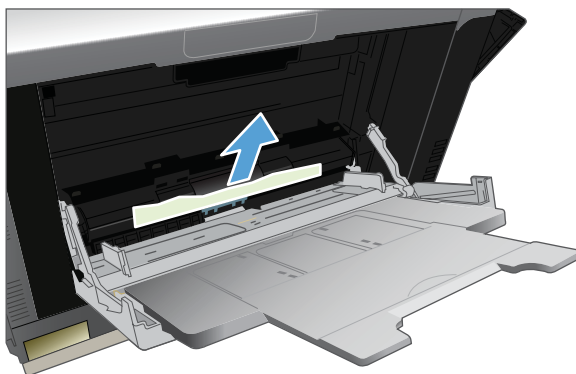


2. If jammed paper is visible in the duplex output area, gently pull it to remove it.

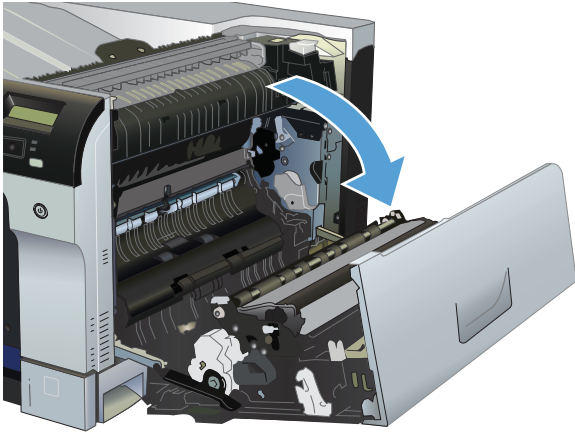


Clear jams in Tray 1

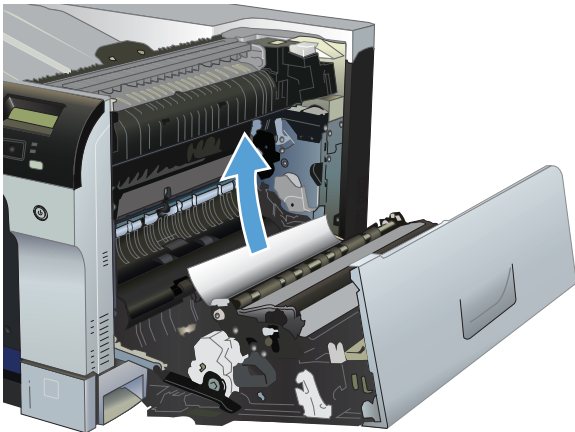
1. If jammed paper is visible in Tray 1, clear the jam by gently pulling the paper straight out. Press the **OK** button to clear the message.



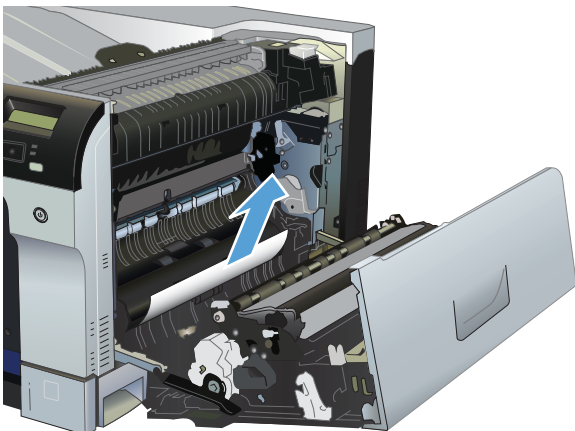
2. If you cannot remove the paper, or if no jammed paper is visible in Tray 1, close Tray 1 and open the right door.



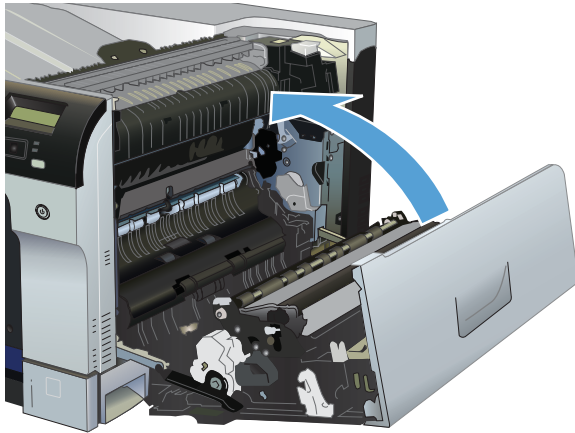
3. If paper is visible inside the right door, gently pull the trailing edge to remove it.



4. Gently pull the paper out of the pick up area.



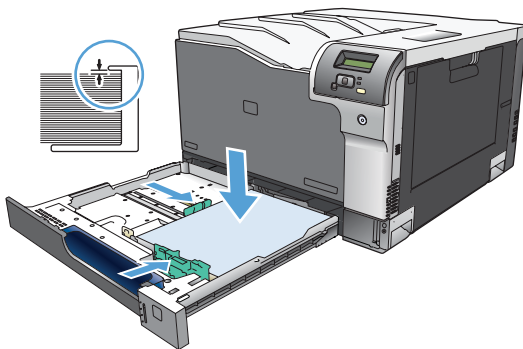
5. Close the right door.



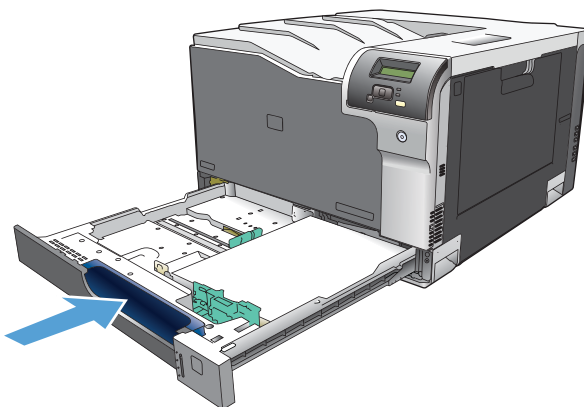
Clear jams in Tray 2

△ **CAUTION:** Opening a tray when paper is jammed can cause the paper to tear and leave pieces of paper in the tray, which might cause another jam. Be sure to clear jams before opening the tray.

1. Open Tray 2 and make sure that the paper is stacked correctly. Remove any jammed or damaged sheets of paper.

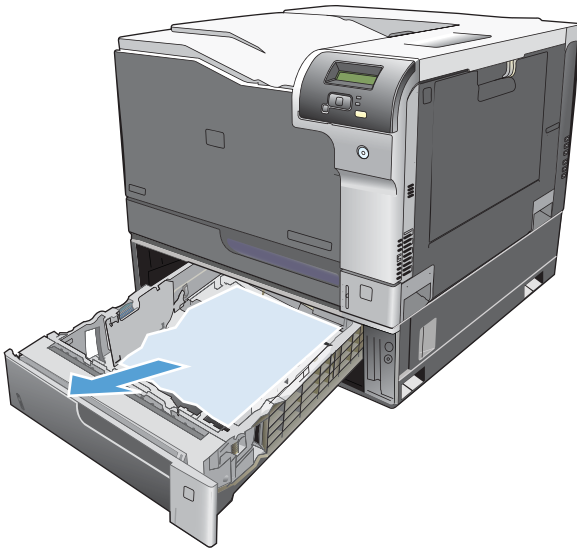


2. Close the tray.

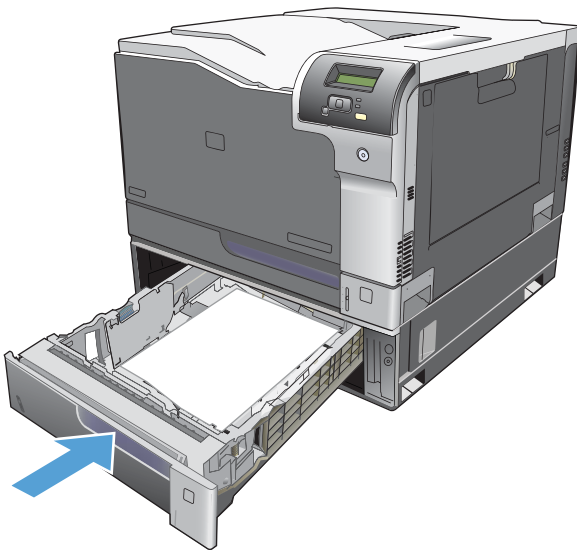


Clear jams in the optional 500-sheet paper and heavy media tray (Tray 3)

1. Open Tray 3 and make sure that the paper is stacked correctly. Remove any damaged or jammed sheets of paper.

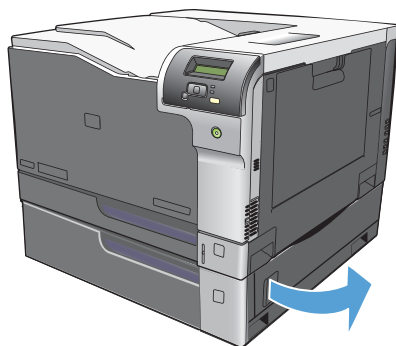


2. Close Tray 3.

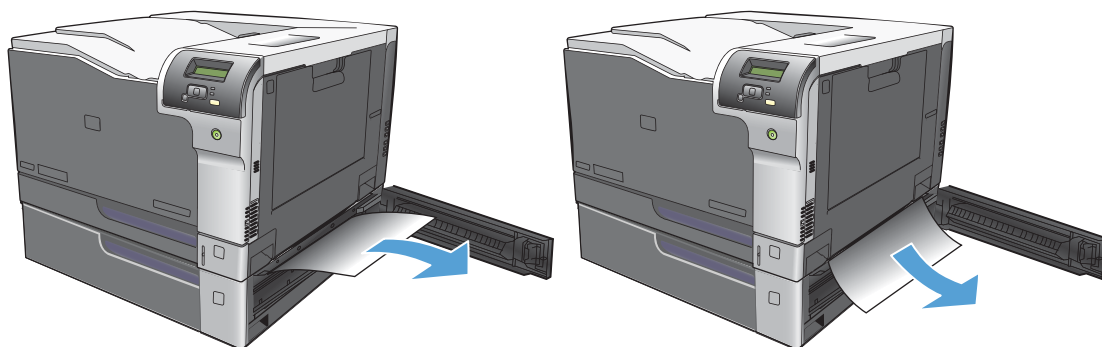


Clear jams in the lower right door (Tray 3)

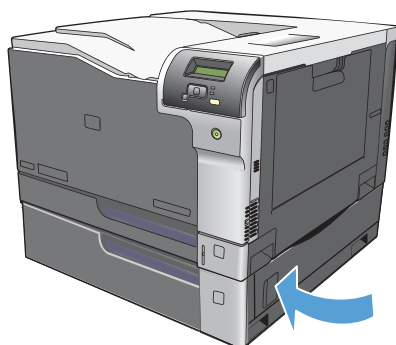
1. Open the lower right door.



2. If paper is visible, gently pull the jammed paper up or down to remove it.



3. Close the lower right door.



Solve image-quality problems

Occasionally, you might encounter problems with print quality. The information in the following sections helps you identify and resolve these issues.

Identify and correct print defects

Use the checklist and print-quality issues charts in this section to solve print-quality problems.

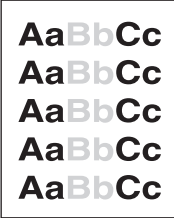
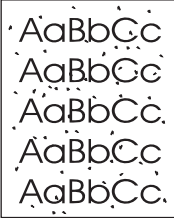

Print-quality checklist

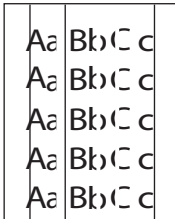


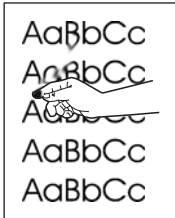
General print-quality problems can be solved by using the following checklist:

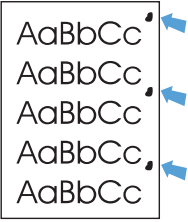
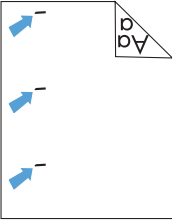
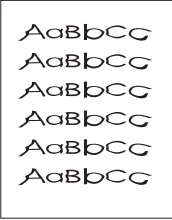
1. Make sure the shipping locks have been removed from the transfer roller inside the rear door.
2. Make sure that the paper or print media that you are using meets specifications. Generally, smoother paper provides better results.
3. If you are using a special print media such as labels, transparencies, glossy, or letterhead, ensure that you have printed by type.
4. Print a configuration page and supplies status page. See [Information pages on page 66](#).
 - Check the supplies status page to see if any supplies are low or at estimated end of life. No information is provided for used print cartridges
 - If the pages do not print correctly, the problem is with the hardware. Contact HP Customer Care. See [Service and support on page 129](#) or the flyer that came in the box.
5. Print a Demo page from HP ToolboxFX. If the page prints, the problem is with the printer driver.
6. Try printing from a different program. If the page prints correctly, the problem is with the program from which you were printing.
7. Restart the computer and the product and try printing again. If the problem is not resolved, choose one of these options:
 - If the problem is affecting all printed pages, see [General print quality issues on page 113](#).
 - If the problem is affecting only pages printed in color, see [Solve issues with color documents on page 117](#).

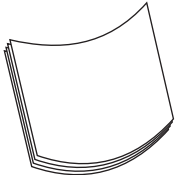
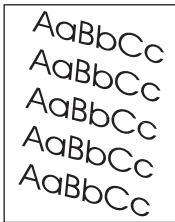
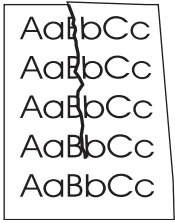
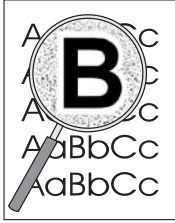
General print quality issues


The following examples depict Letter-size paper that has passed through the product short-edge first. These examples illustrate problems that would affect all of the pages that you print, whether you print in color or in black only. The topics that follow list the typical cause and solution for each of these examples.

| Problem | Cause | Solution |
|---|---|---|
| Print is light or faded.  | The media might not meet HP specifications. | Use media that meets HP specifications. |
| | One or more print cartridges might be defective. | Print the Supplies status page to check the remaining life. See Information pages on page 66 . Replace any low print cartridges. See Change print cartridges on page 81 . |
| | The product is set to override the <Supply> Very Low message and to continue printing. | Replace any low print cartridges. See Change print cartridges on page 81 . |
| | The print density settings may have been changed. | Set the print density setting to 0. |
| | The product may need to be calibrated. | Run a calibration. See Calibrate the product on page 120 . |
| Toner specks appear.  | The media might not meet HP specifications. | Use media that meets HP specifications. |
| | The paper path might need cleaning. | Clean the paper path. See Clean the product on page 88 . |
| | One or more of the cartridges may be leaking. | Try to verify the color of the toner specks and check the cartridge for leaks. |
| | The cartridge waste tank may be overfilled. | Check for error code 10.98.XX in the event log. See Event log on page 68 . The XX portion of the code identifies the cartridge (00 is black, 01 is cyan, 02 is magenta, 03 is yellow). If the error was logged, replace the affected cartridge. |
| Dropouts appear.  | A single sheet of print media might be defective. | Try reprinting the job. |
| | The moisture content of the paper is uneven or the paper has moist spots on its surface. | Try different paper, such as high-quality paper that is intended for color laser printers. |
| | The paper lot is flawed. The manufacturing processes can cause some areas to reject toner. | Try different paper, such as high-quality paper that is intended for color laser printers. |

| Problem | Cause | Solution |
|---|--|--|
| <p>Vertical streaks or bands appear on the page.</p>  | <p>One or more print cartridges might be defective.</p> | <p>Print the Supplies status page to check the remaining life. See Information pages on page 66.</p> <p>Use HP ToolboxFX to troubleshoot the problem.</p> <p>Replace any low print cartridges. See Change print cartridges on page 81.</p> |
| | <p>The product is set to override the <Supply> Very Low message and to continue printing.</p> | <p>Replace any low print cartridges. See Change print cartridges on page 81.</p> |
| <p>The amount of background toner shading becomes unacceptable.</p>  | <p>Very dry (low humidity) conditions can increase the amount of background shading.</p> | <p>Check the product environment.</p> |
| | <p>One or more print cartridges might be defective.</p> | <p>Replace any low print cartridges. See Change print cartridges on page 81.</p> |
| | <p>The product is set to override the <Supply> Very Low message and to continue printing.</p> | <p>Replace any low print cartridges. See Change print cartridges on page 81.</p> |
| | <p>Smooth media shows more background than plain media</p> | <p>Consider using rougher media.</p> |
| <p>Toner smears appear on the media.</p>  | <p>The media might not meet HP specifications.</p> | <p>Use media that meets HP specifications.</p> |
| | <p>If toner smears appear on the leading edge of the paper, the media guides are dirty, or debris has accumulated in the print path.</p> | <p>Clean the media guides.</p> <p>Clean the paper path. See Clean the product on page 88.</p> |
| <p>The toner smears easily when touched.</p>  | <p>The product is not set to print on the type of media on which you want to print.</p> | <p>In the printer driver, select the Paper tab and set Type is to match the type of media on which you are printing. Print speed might be slower if you are using heavy paper.</p> |
| | <p>The media might not meet HP specifications.</p> | <p>Use media that meets HP specifications.</p> |
| | <p>The paper path might need cleaning.</p> | <p>Clean the paper path. See Clean the product on page 88.</p> |


| Problem | Cause | Solution |
|--|---|---|
| <p>Marks repeatedly appear at even intervals on the printed side of the page.</p>  | <p>The product is not set to print on the type of media on which you want to print.</p> | <p>In the printer driver, select the Paper tab and set Type is to match the type of paper on which you are printing. Print speed might be slower if you are using heavy paper.</p> |
| | <p>Internal parts might have toner on them.</p> | <p>The problem typically corrects itself after a few more pages.</p> |
| | <p>The paper path might need cleaning.</p> | <p>Clean the paper path. See Clean the product on page 88.</p> |
| | <p>The fuser might be damaged or dirty.</p> | <p>To determine if the fuser has a problem, open the HP ToolboxFX and print the print-quality diagnostics page. See Open HP ToolboxFX on page 67.</p> <p>Contact HP Customer Care. See Service and support on page 129 or the support flyer that came in the box.</p> |
| | <p>A print cartridge may have a problem.</p> | <p>To determine which cartridge has a problem, open the HP ToolboxFX and print the print-quality diagnostics page. See Open HP ToolboxFX on page 67.</p> |
| <p>Marks repeatedly appear at even intervals on the unprinted side of the page.</p>  | <p>Internal parts might have toner on them.</p> | <p>The problem typically corrects itself after a few more pages.</p> |
| | <p>The paper path might need cleaning.</p> | <p>Clean the paper path. See Clean the product on page 88.</p> |
| | <p>The fuser might be damaged or dirty.</p> | <p>To determine if the fuser has a problem, open the HP ToolboxFX and print the print-quality diagnostics page. See Open HP ToolboxFX on page 67.</p> <p>Contact HP Customer Care. See Service and support on page 129 or the support flyer that came in the box.</p> |
| <p>The printed page contains misformed characters.</p>  | <p>The media might not meet HP specifications.</p> <p>If characters are incorrectly formed so that they produce a wavy effect, you may need to calibrate the product or the laser scanner might need service.</p> | <p>Use a different paper, such as high-quality paper that is intended for color laser printers.</p> <p>Verify that the problem also occurs on the configuration page. If so, contact HP Customer Care. See Service and support on page 129 or the support flyer that came in the box.</p> |

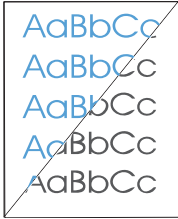

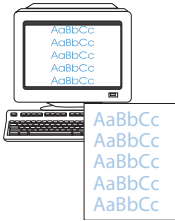

| Problem | Cause | Solution |
|---|---|--|
| <p>The printed page is curled or wavy.</p>  | <p>The product is not set to print on the type of media on which you want to print.</p> | <p>In the printer driver, select the Paper tab and set Type is to match the type of paper on which you are printing. Print speed might be slower if you are using heavy paper.</p> |
| | <p>The Service menu item Less Paper Curl is set to Off.</p> | <p>Use the control-panel menus to change the setting. See Control-panel menus on page 9.</p> |
| | <p>The media might not meet HP specifications.</p> | <p>Use a different paper, such as high-quality paper that is intended for color laser printers.</p> |
| | <p>Both high temperature and humidity can cause paper curl.</p> | <p>Check the product environment. Adjust curl modes from the control panel, HP ToolboxFX, or the EWS.</p> |
| <p>Text or graphics are skewed on the printed page.</p>  | <p>The media might be loaded incorrectly.</p> | <p>Make sure that the paper or other print media is loaded correctly and that the media guides are not too tight or too loose against the stack. See Load trays on page 46.</p> |
| | <p>The media might not meet HP specifications.</p> | <p>Use a different paper, such as high-quality paper that is intended for color laser printers.</p> |
| <p>The printed page contains wrinkles or creases.</p>  | <p>The media might be loaded incorrectly.</p> | <p>Verify that the media is loaded correctly and that the media guides are not too tight or too loose against the stack. See Load trays on page 46.</p> <p>Turn over the stack of paper in the input tray, or try rotating the paper 180° in the input tray.</p> |
| | <p>The media might not meet HP specifications.</p> | <p>Use a different paper, such as high-quality paper that is intended for color laser printers.</p> |
| <p>Toner appears around the printed characters.</p>  | <p>The media might be loaded incorrectly.</p> <p>If large amounts of toner have scattered around the characters, the paper might have high resistivity.</p> | <p>Turn over the stack of paper in the tray.</p> <p>Use a different paper, such as high-quality paper that is intended for color laser printers.</p> |

| Problem | Cause | Solution |
|---|--|---|
| <p>An image that appears at the top of the page (in solid black) repeats farther down the page (in a gray field).</p>  | Software settings might affect image printing. | <p>In your software program, change the tone (darkness) of the field in which the repeated image appears.</p> <p>In your software program, rotate the whole page 180° to print the lighter image first.</p> |
| | The order of images printed might affect printing. | Change the order in which the images are printed. For example, have the lighter image at the top of the page, and the darker image farther down the page. |
| | A power surge might have affected the product. | If the defect occurs later in a print job, turn the product off for 10 minutes, and then turn on the product to restart the print job. |
| | | Use non-glossy media to help reduce the severity of the defect |

Solve issues with color documents

This section describes issues that can occur when you print in color.

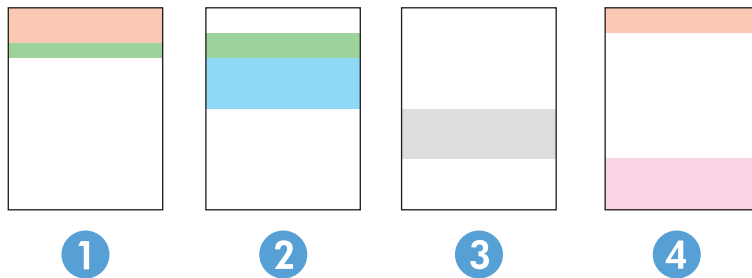
| Problem | Cause | Solution |
|--|---|---|
| <p>Only black is printing when the document should be printing in color.</p>  | Color mode is not selected in your program or printer driver or the allow color setting is off. | Select color mode instead of grayscale mode or turn on the allow color setting. |
| | The correct printer driver might not be selected in the program. | Select the correct printer driver. |
| | The product might not be correctly configured. | Print a configuration page (see Information pages on page 66). If no color appears on the configuration page, contact HP Customer Care. See Service and support on page 129 or the support flyer that came in the box. |
| | The color supply has reached estimated end of life and the <Supply> Very Low menu setting is set to Print Black . | Replace the color supply. |

| Problem | Cause | Solution |
|---|---|---|
| <p>One or more colors are not printing, or are inaccurate.</p>  | Sealing tape might be on the print cartridges. | Verify that the sealing tape has been completely removed from the print cartridges. |
| | The media might not meet HP specifications. | Use a different paper, such as high-quality paper that is intended for color laser printers. |
| | The product might be operating in excessively humid conditions. | Verify that the product environment is within humidity specifications. |
| | One or more print cartridges might be defective. | Replace any low print cartridges. See Change print cartridges on page 81 . |
| | The product is set to override the <Supply> Very Low message and to continue printing. | Replace any low print cartridges. See Change print cartridges on page 81 . |
| | One or more of the cartridges may not have been engaged properly by the print engine. | Remove and reinstall the cartridges. |
| <p>A color is printing inconsistently after you load a new print cartridge.</p>  | Another print cartridge might be defective. | Remove the print cartridge for the color that is printing inconsistently and reinstall it. |
| | The product is set to override the <Supply> Very Low message and to continue printing. | Replace any low print cartridges. See Change print cartridges on page 81 . |
| <p>The colors on the printed page do not match the colors as they appear on the screen.</p>  | The colors on your computer monitor might differ from the product output. | See Match colors on page 60 |
| | If extremely light colors or extremely dark colors on screen are not printing, your software program might interpret extremely light colors as white or extremely dark colors as black. | If possible, avoid using extremely light or extremely dark colors. |
| | The media might not meet HP specifications. | Use a different paper, such as high-quality paper that is intended for color laser printers. |
| <p>The finish on the printed color page is inconsistent.</p>  | The media might be too rough. | Use a smooth paper or print media, such as a high-quality paper that is made for color laser printers. Generally, smoother media produces better results. |

Use HP ToolboxFX to troubleshoot print-quality problems

 **NOTE:** Before proceeding, print a Supplies status page to see the approximate number of pages remaining for each print cartridge. See [Information pages on page 66](#).

From the HP ToolboxFX software you can print a page that helps identify whether a specific print cartridge is causing the problem, or if the problem is with the product itself. The print-quality troubleshooting page prints five bands of color, which are divided into four overlapping sections. By examining each section, you can isolate the problem to a particular cartridge.



| Section | Print-cartridge |
|---------|-----------------|
| 1 | Yellow |
| 2 | Cyan |
| 3 | Black |
| 4 | Magenta |

This page helps identify four general issues:

- **Streaks in only one color:** This is most likely a cartridge issue. Remove the cartridge and look for debris on it. If no debris is found and the defect continues after the cartridge is reinstalled, replace the cartridge.
- **Streaks in all colors (in same location):** Clean the printer and call for service if the problem continues.
- **Repeating defect in multiple colors:**
 - Repeating dot in multiple colors:* If the dot repeats at roughly 57 or 58 mm, run a cleaning page to clean fuser and run several white pages of paper to clean the roller. If defect does not repeat at 57 or 58 mm, replace the cartridge of the color of the dot.
 - Repeating band in multiple colors:* Contact HP Support.
- **Single dot or Single band in one color:** Print three or four additional troubleshooting pages. If the band or dot is only in one color on most of the pages, replace the cartridge of that color. If the band or dot moves to a different color, contact HP Support.

For more troubleshooting information, try the following:

- See [Solve image-quality problems on page 112](#) in this guide.
- Go to www.hp.com/support/ljcp5220series.
- Contact HP Customer Care. See [Service and support on page 129](#).

Print the print-quality troubleshooting page

1. Open HP ToolboxFX. See [Open HP ToolboxFX on page 67](#).
2. Click the **Help** folder, and then click the **Troubleshooting** page.
3. Click the **Print** button, and then follow the directions on the printed pages.

Optimize and improve print quality

Always make sure that the **Type is** setting in the printer driver matches the type of paper that you are using.

Use the print-quality settings in the printer driver to prevent print-quality problems.

Use the **Device Settings** area in HP ToolboxFX to adjust settings that affect print quality. See [Open HP ToolboxFX on page 67](#).

Also use HP ToolboxFX to help troubleshoot print-quality problems. See [Use HP ToolboxFX to troubleshoot print-quality problems on page 119](#).

Calibrate the product

If you experience any print-quality problems, calibrate the product.

Calibrate the product using HP ToolboxFX

1. Open HP ToolboxFX. See [Open HP ToolboxFX on page 67](#).
2. Click the **Device Settings** folder, and then click the **Print Quality** page.
3. In the area for Color Calibration, select the **Calibrate Now** check box.
4. Click **Apply** to calibrate the product immediately.

Calibrate the product from the control panel

1. On the control panel, press the **OK** button.
2. Use the arrow buttons to select the **System Setup** menu, and then press the **OK** button.
3. Use the arrow buttons to select the **Print Quality** menu, and then press the **OK** button.
4. Use the arrow buttons to select the **Color Calibration** menu, and then press the **OK** button.
5. Use the arrow buttons to select the **Calibrate Now** option, and then press the **OK** button to calibrate the product.

Solve performance problems

| Problem | Cause | Solution |
|------------------------------------|--|---|
| Pages print but are totally blank. | The sealing tape might still be in the print cartridges. | Verify that the sealing tape has been completely removed from the print cartridges. |
| | The document might contain blank pages. | Check the document that you are printing to see if content appears on all of the pages. |
| | The product might be malfunctioning. | To check the product, print a configuration page. |
| Pages print very slowly. | Heavier media types can slow the print job. | Print on a different type of media. |
| | Complex pages can print slowly. | Proper fusing may require a slower print speed to ensure the best print quality. |
| | Paper type not set correctly. | Select the type to match the paper. |
| Pages did not print. | The product might not be pulling media correctly. | <p>Make sure paper is loaded in the tray correctly.</p> <p>If the problem persists, you might need to replace the pickup rollers and the separation pad. See Service and support on page 129.</p> |
| | The media is jamming in the product. | <p>Clear the jam. See Clear jams on page 101.</p> <p>If jams continue, try using a new ream of paper.</p> |
| | The USB cable might be defective or incorrectly connected. | <ul style="list-style-type: none"> • Disconnect the USB cable at both ends and reconnect it. • Try printing a job that has printed in the past. • Try using a different USB cable. |
| | Other devices are running on your computer. | The product might not share a USB port. If you have an external hard drive or network switchbox that is connected to the same port as the product, the other device might be interfering. To connect and use the product, you must disconnect the other device or you must use two USB ports on the computer. |

Product software problems

| Problem | Solution |
|--|--|
| A printer driver for the product is not visible in the Printer folder | <ul style="list-style-type: none">● Reinstall the product software. NOTE: Close any applications that are running. To close an application that has an icon in the system tray, right-click the icon, and select Close or Disable.● Try plugging the USB cable into a different USB port on the computer. |
| An error message was displayed during the software installation | <ul style="list-style-type: none">● Reinstall the product software. NOTE: Close any applications that are running. To close an application that has an icon in the task bar, right-click the icon, and select Close or Disable.● Check the amount of free space on the drive where you are installing the product software. If necessary, free up as much space as you can, and reinstall the product software.● If necessary, run the Disk Defragmenter, and reinstall the product software. |
| The product is in Ready mode, but nothing prints | <ul style="list-style-type: none">● Print a Configuration page, and verify the product functionality.● Verify that all of the cables are correctly seated and within specifications. This includes the USB and power cables. Try a new cable. |

Solve common Windows problems

Error message:

"General Protection FaultException OE"


"Spool32"

"Illegal Operation"

| Cause | Solution |
|-------|---|
| | <p>Close all software programs, restart Windows, and try again.</p> <p>Select a different printer driver. If the product PCL 6 printer driver is selected, switch to the PCL 5 or HP postscript level 3 emulation printer driver, which can be done from a software program.</p> <p>Delete all temp files from the Temp subdirectory. Determine the name of the directory by opening the AUTOEXEC.BAT file and looking for the statement "Set Temp =". The name after this statement is the Temp directory. It is usually C:\TEMP by default, but can be redefined.</p> <p>See the Microsoft Windows documentation that came with the computer for more information about Windows error messages.</p> |

Solve Macintosh problems

Solve problems with Mac OS X

 **NOTE:** If you are installing the product using a USB connection, **do not** connect the USB cable to the product and the computer before you install the software. Connecting the USB cable will cause the Mac OS X to automatically install the product, but the installation will be faulty. You must then uninstall the product, disconnect the USB cable, reinstall the software from the product CD-ROM, and reconnect the USB cable when the software prompts you.

The printer driver is not listed in the Print Center or Printer Setup Utility.

| Cause | Solution |
|--|--|
| The product software might not have been installed or was installed incorrectly. | Make sure that the product PPD file is in the following hard-drive folder: <code>LIBRARY/PRINTERS/PPDS/CONTENTS/RESOURCES/<LANG>.LPROJ</code> where <code><lang></code> is the two-letter language code for the language that you are using. If necessary, reinstall the software. See the getting started guide for instructions. |
| The PPD file is corrupt. | Delete the PPD file from the following hard-drive folder: <code>LIBRARY/PRINTERS/PPDS/CONTENTS/RESOURCES/<LANG>.LPROJ</code> where <code><lang></code> is the two-letter language code for the language that you are using. Reinstall the software. See the getting started guide for instructions. |

The product name, IP address, or Bonjour printer name does not appear in the printer list in the Print & Fax Center or Printer Setup Utility.

| Cause | Solution |
|---|--|
| The product might not be ready. | Make sure that the cables are connected correctly, the product is on, and the Ready light is on. If you are connecting through a USB or Ethernet hub, try connecting directly to the computer or use a different port. |
| The wrong connection type might be selected. | Make sure that USB, IP Printing, or Bonjour is selected, depending on the type of connection being used. |
| The wrong product name, IP address, or Bonjour host name is being used. | Print a network summary page (see Information pages on page 66). Verify that the product name, IP address, or Bonjour host name on the network summary page matches the product name, IP address, or Bonjour host name in the Print Center, Printer Setup Utility, or Print & Fax list. |
| The interface cable might be defective or of poor quality. | Replace the interface cable with a high-quality cable. |

The printer driver does not automatically set up your selected product in the Print Center or Printer Setup Utility.

| Cause | Solution |
|---------------------------------|--|
| The product might not be ready. | Make sure that the cables are connected correctly, the product is on, and the Ready light is on. If you are connecting through a USB hub, try connecting directly to the computer or use a different port. |

The printer driver does not automatically set up your selected product in the Print Center or Printer Setup Utility.

| Cause | Solution |
|--|--|
| The product software might not have been installed or was installed incorrectly. | Make sure that the product PPD file is in the following hard-drive folder: <code>LIBRARY/PRINTERS/PPDS/CONTENTS/RESOURCES/<LANG>.LPROJ</code> where <code><lang></code> is the two-letter language code for the language that you are using. If necessary, reinstall the software. See the getting started guide for instructions. |
| The PPD file is corrupt. | Delete the PPD file from the following hard-drive folder: <code>LIBRARY/PRINTERS/PPDS/CONTENTS/RESOURCES/<LANG>.LPROJ</code> where <code><lang></code> is the two-letter language code for the language that you are using. Reinstall the software. See the getting started guide for instructions. |
| The interface cable might be defective or of poor quality. | Replace the interface cable with a high-quality cable. |

A print job was not sent to the product that you wanted.

| Cause | Solution |
|--|---|
| The print queue might be stopped. | Restart the print queue. Open Print Monitor and select Start Jobs . |
| The wrong product name, IP address, or Bonjour printer name is being used. | Print a network summary page (see Information pages on page 66). Verify that the product name, IP address, or Bonjour printer name on the network summary page matches the product name, IP address, or Bonjour printer name in the Print Center or Printer Setup Utility. |

An EPS file prints with incorrect fonts.

| Cause | Solution |
|---|--|
| This problem occurs with some programs. | <ul style="list-style-type: none">Try downloading the fonts that are contained in the EPS file to the product before printing.Send the file in ASCII format instead of binary encoding. |

You are unable to print from a third-party USB card.

| Cause | Solution |
|--|---|
| This error occurs when the software for USB printers is not installed. | When adding a third-party USB card, you might need the Apple USB Adapter Card Support software. The most current version of this software is available from the Apple Web site. |

When connected with a USB cable, the product does not appear in the Print Center or Printer Setup Utility after the driver is selected.

Cause

This problem is caused by either a software or a hardware component.

Solution

Software troubleshooting

- Verify that the product is not plugged into any Macintosh USB keyboards.
- Verify that your Macintosh operating system is Mac OS X v10.3 or later.

Hardware troubleshooting

- Check that the product is turned on.
- Verify that the USB cable is connected correctly.
- Verify that the product is plugged directly to the Macintosh computer, not a USB keyboard port.
- Check that you are using the appropriate high-speed USB cable.
- Ensure that you do not have too many USB devices drawing power from the chain. Disconnect all of the devices from the chain, and connect the cable directly to the USB port on the host computer.
- Verify at the product control panel that the **USB Speed** setting is set to the **Full** option.
- Check to see if more than two nonpowered USB hubs are connected in a row on the chain. Disconnect all of the devices from the chain and connect the cable directly to the USB port on the host computer.

NOTE: The iMac keyboard is a nonpowered USB hub.

A Supplies and accessories

- [Order parts, accessories, and supplies](#)
- [Part numbers](#)

Order parts, accessories, and supplies

| | |
|--|---|
| Order supplies and paper | www.hp.com/go/suresupply |
| Order genuine HP parts or accessories | www.hp.com/buy/parts |
| Order through service or support providers | Contact an HP-authorized service or support provider. |
| Order using HP software | HP ToolboxFX on page 67 Embedded Web server on page 76 |

Part numbers

Table A-1 Supplies and accessories

| Part | Part number | Type/size |
|--|-------------|---|
| Print cartridges | CE740A | Black print cartridge with HP ColorSphere toner |
| For information about the yield for the cartridges, see www.hp.com/go/pageyield . Actual yield depends on specific use. | CE741A | Cyan print cartridge with HP ColorSphere toner |
| | CE742A | Yellow print cartridge with HP ColorSphere toner |
| | CE743A | Magenta print cartridge with HP ColorSphere toner |
| Optional 500-page tray (Tray 3) | CE860A | Optional 500-sheet input tray. |
| Cables | C6518A | USB 2.0 printer cable (2-meter [6.5-foot] standard) |
| Memory | CB421A | 64MB DDR2 144-pin SDRAM DIMM |
| | CB422A | 128MB DDR2 144-pin SDRAM DIMM |
| | CB423A | 256MB DDR2 144-pin SDRAM DIMM |
| Reference materials | 5851-1468 | <i>HP LaserJet Printer Family Print Media Specification Guide</i> (see www.hp.com/support/ljpaperguide) |

B Service and support

- [Hewlett-Packard limited warranty statement](#)
- [Print cartridge limited warranty statement](#)
- [End User License Agreement](#)
- [Customer self-repair warranty service](#)
- [Customer support](#)
- [Repack the product](#)
- [Service information form](#)

Hewlett-Packard limited warranty statement

| HP PRODUCT | DURATION OF LIMITED WARRANTY |
|--|------------------------------|
| HP Color LaserJet CP5220 Series printers | One-year limited warranty |

HP warrants to you, the end-user customer, that HP hardware and accessories will be free from defects in materials and workmanship after the date of purchase, for the period specified above. If HP receives notice of such defects during the warranty period, HP will, at its option, either repair or replace products which prove to be defective. Replacement products may be either new or equivalent in performance to new.

HP warrants to you that HP software will not fail to execute its programming instructions after the date of purchase, for the period specified above, due to defects in material and workmanship when properly installed and used. If HP receives notice of such defects during the warranty period, HP will replace software which does not execute its programming instructions due to such defects.

HP does not warrant that the operation of HP products will be uninterrupted or error free. If HP is unable, within a reasonable time, to repair or replace any product to a condition as warranted, you will be entitled to a refund of the purchase price upon prompt return of the product.

HP products may contain remanufactured parts equivalent to new in performance or may have been subject to incidental use.

Warranty does not apply to defects resulting from (a) improper or inadequate maintenance or calibration, (b) software, interfacing, parts or supplies not supplied by HP, (c) unauthorized modification or misuse, (d) operation outside of the published environmental specifications for the product, or (e) improper site preparation or maintenance.

TO THE EXTENT ALLOWED BY LOCAL LAW, THE ABOVE WARRANTIES ARE EXCLUSIVE AND NO OTHER WARRANTY OR CONDITION, WHETHER WRITTEN OR ORAL, IS EXPRESSED OR IMPLIED AND HP SPECIFICALLY DISCLAIMS ANY IMPLIED WARRANTIES OR CONDITIONS OF MERCHANTABILITY, SATISFACTORY QUALITY, AND FITNESS FOR A PARTICULAR PURPOSE. Some countries/regions, states or provinces do not allow limitations on the duration of an implied warranty, so the above limitation or exclusion might not apply to you. This warranty gives you specific legal rights and you might also have other rights that vary from country/region to country/region, state to state, or province to province.

HP's limited warranty is valid in any country/region or locality where HP has a support presence for this product and where HP has marketed this product. The level of warranty service you receive may vary according to local standards. HP will not alter form, fit or function of the product to make it operate in a country/region for which it was never intended to function for legal or regulatory reasons.

TO THE EXTENT ALLOWED BY LOCAL LAW, THE REMEDIES IN THIS WARRANTY STATEMENT ARE YOUR SOLE AND EXCLUSIVE REMEDIES. EXCEPT AS INDICATED ABOVE, IN NO EVENT WILL HP OR ITS SUPPLIERS BE LIABLE FOR LOSS OF DATA OR FOR DIRECT, SPECIAL, INCIDENTAL, CONSEQUENTIAL (INCLUDING LOST PROFIT OR DATA), OR OTHER DAMAGE, WHETHER BASED IN CONTRACT, TORT, OR OTHERWISE. Some countries/regions, states or provinces do not allow the exclusion or limitation of incidental or consequential damages, so the above limitation or exclusion may not apply to you.

THE WARRANTY TERMS CONTAINED IN THIS STATEMENT, EXCEPT TO THE EXTENT LAWFULLY PERMITTED, DO NOT EXCLUDE, RESTRICT OR MODIFY AND ARE IN ADDITION TO THE MANDATORY STATUTORY RIGHTS APPLICABLE TO THE SALE OF THIS PRODUCT TO YOU.

Print cartridge limited warranty statement

This HP product is warranted to be free from defects in materials and workmanship.

This warranty does not apply to products that (a) have been refilled, refurbished, remanufactured or tampered with in any way, (b) experience problems resulting from misuse, improper storage, or operation outside of the published environmental specifications for the printer product or (c) exhibit wear from ordinary use.

To obtain warranty service, please return the product to place of purchase (with a written description of the problem and print samples) or contact HP customer support. At HP's option, HP will either replace products that prove to be defective or refund your purchase price.

TO THE EXTENT ALLOWED BY LOCAL LAW, THE ABOVE WARRANTY IS EXCLUSIVE AND NO OTHER WARRANTY OR CONDITION, WHETHER WRITTEN OR ORAL, IS EXPRESSED OR IMPLIED AND HP SPECIFICALLY DISCLAIMS ANY IMPLIED WARRANTIES OR CONDITIONS OF MERCHANTABILITY, SATISFACTORY QUALITY, AND FITNESS FOR A PARTICULAR PURPOSE.

TO THE EXTENT ALLOWED BY LOCAL LAW, IN NO EVENT WILL HP OR ITS SUPPLIERS BE LIABLE FOR DIRECT, SPECIAL, INCIDENTAL, CONSEQUENTIAL (INCLUDING LOST PROFIT OR DATA), OR OTHER DAMAGE, WHETHER BASED IN CONTRACT, TORT, OR OTHERWISE.

THE WARRANTY TERMS CONTAINED IN THIS STATEMENT, EXCEPT TO THE EXTENT LAWFULLY PERMITTED, DO NOT EXCLUDE, RESTRICT OR MODIFY AND ARE IN ADDITION TO THE MANDATORY STATUTORY RIGHTS APPLICABLE TO THE SALE OF THIS PRODUCT TO YOU.

End User License Agreement

PLEASE READ CAREFULLY BEFORE USING THIS SOFTWARE PRODUCT: This End-User License Agreement (“EULA”) is a contract between (a) you (either an individual or the entity you represent) and (b) Hewlett-Packard Company (“HP”) that governs your use of the software product (“Software”). This EULA does not apply if there is a separate license agreement between you and HP or its suppliers for the Software, including a license agreement in online documentation. The term “Software” may include (i) associated media, (ii) a user guide and other printed materials, and (iii) “online” or electronic documentation (collectively “User Documentation”).

RIGHTS IN THE SOFTWARE ARE OFFERED ONLY ON THE CONDITION THAT YOU AGREE TO ALL TERMS AND CONDITIONS OF THIS EULA. BY INSTALLING, COPYING, DOWNLOADING, OR OTHERWISE USING THE SOFTWARE, YOU AGREE TO BE BOUND BY THIS EULA. IF YOU DO NOT ACCEPT THIS EULA, DO NOT INSTALL, DOWNLOAD, OR OTHERWISE USE THE SOFTWARE. IF YOU PURCHASED THE SOFTWARE BUT DO NOT AGREE TO THIS EULA, PLEASE RETURN THE SOFTWARE TO YOUR PLACE OF PURCHASE WITHIN FOURTEEN DAYS FOR A REFUND OF THE PURCHASE PRICE; IF THE SOFTWARE IS INSTALLED ON OR MADE AVAILABLE WITH ANOTHER HP PRODUCT, YOU MAY RETURN THE ENTIRE UNUSED PRODUCT.

1. **THIRD PARTY SOFTWARE.** The Software may include, in addition to HP proprietary software (“HP Software”), software under licenses from third parties (“Third Party Software” and “Third Party License”). Any Third Party Software is licensed to you subject to the terms and conditions of the corresponding Third Party License. Generally, the Third Party License is located in a file such as license.txt; you should contact HP support if you cannot find any Third Party License. If the Third Party Licenses include licenses that provide for the availability of source code (such as the GNU General Public License) and the corresponding source code is not included with the Software, then check the product support pages of HP’s website (hp.com) to learn how to obtain such source code.

2. **LICENSE RIGHTS.** You will have the following rights provided you comply with all terms and conditions of this EULA:

a. **Use.** HP grants you a license to Use one copy of the HP Software. “Use” means installing, copying, storing, loading, executing, displaying, or otherwise using the HP Software. You may not modify the HP Software or disable any licensing or control feature of the HP Software. If this Software is provided by HP for Use with an imaging or printing product (for example, if the Software is a printer driver, firmware, or add-on), the HP Software may only be used with such product (“HP Product”). Additional restrictions on Use may appear in the User Documentation. You may not separate component parts of the HP Software for Use. You do not have the right to distribute the HP Software.

b. **Copying.** Your right to copy means you may make archival or back-up copies of the HP Software, provided each copy contains all the original HP Software’s proprietary notices and is used only for back-up purposes.

3. **UPGRADES.** To Use HP Software provided by HP as an upgrade, update, or supplement (collectively “Upgrade”), you must first be licensed for the original HP Software identified by HP as eligible for the Upgrade. To the extent the Upgrade supersedes the original HP Software, you may no longer use such HP Software. This EULA applies to each Upgrade unless HP provides other terms with the Upgrade. In case of a conflict between this EULA and such other terms, the other terms will prevail.

4. **TRANSFER.**

a. **Third Party Transfer.** The initial end user of the HP Software may make a one-time transfer of the HP Software to another end user. Any transfer will include all component parts, media, User Documentation, this EULA, and if applicable, the Certificate of Authenticity. The transfer may not be an indirect transfer, such as a consignment. Prior to the transfer, the end user receiving the transferred

Software will agree to this EULA. Upon transfer of the HP Software, your license is automatically terminated.

b. Restrictions. You may not rent, lease or lend the HP Software or Use the HP Software for commercial timesharing or bureau use. You may not sublicense, assign or otherwise transfer the HP Software except as expressly provided in this EULA.

5. PROPRIETARY RIGHTS. All intellectual property rights in the Software and User Documentation are owned by HP or its suppliers and are protected by law, including applicable copyright, trade secret, patent, and trademark laws. You will not remove any product identification, copyright notice, or proprietary restriction from the Software.

6. LIMITATION ON REVERSE ENGINEERING. You may not reverse engineer, decompile, or disassemble the HP Software, except and only to the extent that the right to do so is allowed under applicable law.

7. CONSENT TO USE OF DATA. HP and its affiliates may collect and use technical information you provide in relation to (i) your Use of the Software or the HP Product, or (ii) the provision of support services related to the Software or the HP Product. All such information will be subject to HP's privacy policy. HP will not use such information in a form that personally identifies you except to the extent necessary to enhance your Use or provide support services.

8. LIMITATION OF LIABILITY. Notwithstanding any damages that you might incur, the entire liability of HP and its suppliers under this EULA and your exclusive remedy under this EULA will be limited to the greater of the amount actually paid by you for the Product or U.S. \$5.00. TO THE MAXIMUM EXTENT PERMITTED BY APPLICABLE LAW, IN NO EVENT WILL HP OR ITS SUPPLIERS BE LIABLE FOR ANY SPECIAL, INCIDENTAL, INDIRECT, OR CONSEQUENTIAL DAMAGES (INCLUDING DAMAGES FOR LOST PROFITS, LOST DATA, BUSINESS INTERRUPTION, PERSONAL INJURY, OR LOSS OF PRIVACY) RELATED IN ANY WAY TO THE USE OF OR INABILITY TO USE THE SOFTWARE, EVEN IF HP OR ANY SUPPLIER HAS BEEN ADVISED OF THE POSSIBILITY OF SUCH DAMAGES AND EVEN IF THE ABOVE REMEDY FAILS OF ITS ESSENTIAL PURPOSE. Some states or other jurisdictions do not allow the exclusion or limitation of incidental or consequential damages, so the above limitation or exclusion may not apply to you.

9. U.S. GOVERNMENT CUSTOMERS. If you are a U.S. Government entity, then consistent with FAR 12.211 and FAR 12.212, Commercial Computer Software, Computer Software Documentation, and Technical Data for Commercial Items are licensed under the applicable HP commercial license agreement.

10. COMPLIANCE WITH EXPORT LAWS. You will comply with all laws, rules, and regulations (i) applicable to the export or import of the Software, or (ii) restricting the Use of the Software, including any restrictions on nuclear, chemical, or biological weapons proliferation.

11. RESERVATION OF RIGHTS. HP and its suppliers reserve all rights not expressly granted to you in this EULA.

(c) 2007 Hewlett-Packard Development Company, L.P.

Rev. 11/06

Customer self-repair warranty service

HP products are designed with many Customer Self Repair (CSR) parts to minimize repair time and allow for greater flexibility in performing defective parts replacement. If during the diagnosis period, HP identifies that the repair can be accomplished by the use of a CSR part, HP will ship that part directly to you for replacement. There are two categories of CSR parts: 1) Parts for which customer self repair is mandatory. If you request HP to replace these parts, you will be charged for the travel and labor costs of this service. 2) Parts for which customer self repair is optional. These parts are also designed for Customer Self Repair. If, however, you require that HP replace them for you, this may be done at no additional charge under the type of warranty service designated for your product.

Based on availability and where geography permits, CSR parts will be shipped for next business day delivery. Same-day or four-hour delivery may be offered at an additional charge where geography permits. If assistance is required, you can call the HP Technical Support Center and a technician will help you over the phone. HP specifies in the materials shipped with a replacement CSR part whether a defective part must be returned to HP. In cases where it is required to return the defective part to HP, you must ship the defective part back to HP within a defined period of time, normally five (5) business days. The defective part must be returned with the associated documentation in the provided shipping material. Failure to return the defective part may result in HP billing you for the replacement. With a customer self repair, HP will pay all shipping and part return costs and determine the courier/carrier to be used.

Customer support

| | |
|--|--|
| Get telephone support, free during your warranty period, for your country/region | Country/region phone numbers are on the flyer that was in the box with your product or at www.hp.com/support/ . |
| Have the product name, serial number, date of purchase, and problem description ready. | |
| Get 24-hour Internet support | www.hp.com/support/ljcp5220series |
| Get support for products used with a Macintosh computer | www.hp.com/go/macosex |
| Download software utilities, drivers, and electronic information | www.hp.com/go/ljcp5220series_software |
| Order additional HP service or maintenance agreements | www.hp.com/go/carepack |

Repack the product


If your product needs to be moved or shipped to another location, perform the following procedure to repack it.

△ **CAUTION:** Shipping damage as a result of inadequate packing is the customer's responsibility. The product must remain upright during shipment.

△ **CAUTION:** It is *extremely important* to remove the print cartridges before shipping the product. Print cartridges left in the product during shipping will leak and entirely cover the product with toner.

To prevent damage to the print cartridges, avoid touching the rollers, and store them in the original packing material or so that they are not exposed to light.

1. Remove all four print cartridges and ship separately.

 **NOTE:** Use the packing sleeves and protective covers from replacement cartridges to protect the exposed print-cartridge drums.

2. Use the original shipping container and packing material, if possible. If you have already disposed of the packing material, contact a local mailing service for information about repacking the product. HP recommends insuring the equipment for shipment.

Service information form

WHO IS RETURNING THE EQUIPMENT? Date:

Person to contact: Phone:

Alternate contact: Phone:

Return shipping address: Special shipping instructions:

WHAT ARE YOU SENDING?

Model name: Model number: Serial number:

Please attach any relevant printouts. Do NOT ship accessories (manuals, cleaning supplies, and so on) that are not required to complete the repair.

HAVE YOU REMOVED THE PRINT CARTRIDGES?

You must remove them before shipping the printer, unless a mechanical problem prevents you from doing so.

Yes. No, I cannot remove them.

WHAT NEEDS TO BE DONE? (Attach a separate sheet if necessary.)

1. Describe the conditions of the failure. (What was the failure? What were you doing when the failure occurred? What software were you running? Is the failure repeatable?)

2. If the failure is intermittent, how much time elapses between failures?

3. If the unit connected to any of the following, give the manufacturer and model number.

Personal computer: Modem: Network:

4. Additional comments:

HOW WILL YOU PAY FOR THE REPAIR?

Under warranty Purchase/received date:

(Attach proof of purchase or receiving document with original received date.)

Maintenance contract number:

Purchase order number:

Except for contract and warranty service, a purchase order number and/or authorized signature must accompany any request for service. If standard repair prices do not apply, a minimum purchase order is required. Standard repair prices can be obtained by contacting an HP-authorized repair center.

Authorized signature: Phone:

Billing address: Special billing instructions:

C Specifications

- [Physical specifications](#)
- [Power consumption, electrical specifications, and acoustic emissions](#)
- [Environmental specifications](#)

Physical specifications

Table C-1 Physical specifications

| Product | Height | Depth | Width | Weight |
|--|------------------|------------------|------------------|--|
| HP Color LaserJet CP5220 Series Printer | 338 mm (13.3 in) | 588 mm (23.1 in) | 545 mm (21.5 in) | Without print cartridges: 31.5 kg (69.5 lb) With print cartridges: 40.9 kg (90.2 lb) |


Power consumption, electrical specifications, and acoustic emissions

See www.hp.com/go/cljcp5220_regulatory for current information.

Environmental specifications

Table C-2 Operating-environment specifications

| Environment | Recommended | Allowed |
|-------------|-----------------------------------|------------------------------|
| Temperature | 15° to 27°C (59° to 80.6°F) | 10° to 30°C (50° to 86°F) |
| Humidity | 20% to 60% relative humidity (RH) | 10% to 80% RH |
| Altitude | Not applicable | 0 to 3048 m (0 to 10,000 ft) |

 **NOTE:** These values are based on preliminary data. See www.hp.com/support/ljcp5220series for current information.


D Regulatory information

- [FCC regulations](#)
- [Environmental product stewardship program](#)
- [Declaration of conformity](#)
- [Safety statements](#)

FCC regulations

This equipment has been tested and found to comply with the limits for a Class B digital device, pursuant to Part 15 of the FCC rules. These limits are designed to provide reasonable protection against harmful interference in a residential installation. This equipment generates, uses, and can radiate radio frequency energy. If this equipment is not installed and used in accordance with the instructions, it may cause harmful interference to radio communications. However, there is no guarantee that interference will not occur in a particular installation. If this equipment does cause harmful interference to radio or television reception, which can be determined by turning the equipment off and on, the user is encouraged to try to correct the interference by one or more of the following measures:

- Reorient or relocate the receiving antenna.
- Increase separation between equipment and receiver.
- Connect equipment to an outlet on a circuit different from that to which the receiver is located.
- Consult your dealer or an experienced radio/TV technician.

 **NOTE:** Any changes or modifications to the printer that are not expressly approved by HP could void the user's authority to operate this equipment.

Use of a shielded interface cable is required to comply with the Class B limits of Part 15 of FCC rules.

Environmental product stewardship program

Protecting the environment

Hewlett-Packard Company is committed to providing quality products in an environmentally sound manner. This product has been designed with several attributes to minimize impacts on our environment.

Ozone production

This product generates no appreciable ozone gas (O₃).

Power consumption

Power usage drops significantly while in Ready and Sleep mode, which saves natural resources and saves money without affecting the high performance of this product. To determine the ENERGY STAR® qualification status for this product, see the Product Data Sheet or Specifications Sheet. Qualified products are also listed at:

www.hp.com/go/energystar

Toner consumption

EconoMode uses less toner, which might extend the life of the print cartridge.

Paper use

This product's manual/optional automatic duplex feature (two-sided printing) and N-up printing (multiple pages printed on one page) capability can reduce paper usage and the resulting demands on natural resources.


Plastics

Plastic parts over 25 grams are marked according to international standards that enhance the ability to identify plastics for recycling purposes at the end of the product's life.

HP LaserJet print supplies

It's easy to return and recycle your HP LaserJet print cartridges after use—free of charge—with HP Planet Partners. Multilingual program information and instructions are included in every new HP LaserJet print cartridge and supplies package. You help reduce the toll on the environment further when you return multiple cartridges together rather than separately.

HP is committed to providing inventive, high-quality products and services that are environmentally sound, from product design and manufacturing to distribution, customer use and recycling. When you participate in the HP Planet Partners program, we ensure your HP LaserJet print cartridges are recycled properly, processing them to recover plastics and metals for new products and diverting millions of tons of waste from landfills. Since this cartridge is being recycled and used in new materials, it will not be returned to you. Thank you for being environmentally responsible!

 **NOTE:** Use the return label to return original HP LaserJet print cartridges only. Please do not use this label for HP inkjet cartridges, non-HP cartridges, refilled or remanufactured cartridges or warranty returns. For information about recycling your HP inkjet cartridges please go to www.hp.com/recycle.

Return and recycling instructions

United States and Puerto Rico

The enclosed label in the HP LaserJet toner cartridge box is for the return and recycling of one or more HP LaserJet print cartridges after use. Please follow the applicable instructions below.

Multiple returns (more than one cartridge)

1. Package each HP LaserJet print cartridge in its original box and bag.
2. Tape the boxes together using strapping or packaging tape. The package can weigh up to 31 kg (70 lb).
3. Use a single pre-paid shipping label.

OR

1. Use your own suitable box, or request a free bulk collection box from www.hp.com/recycle or 1-800-340-2445 (holds up to 31 kg (70 lb) of HP LaserJet print cartridges).
2. Use a single pre-paid shipping label.

Single returns

1. Package the HP LaserJet print cartridge in its original bag and box.
2. Place the shipping label on the front of the box.

Shipping

For all HP LaserJet print cartridge recycling returns, give the package to UPS during your next delivery or pickup, or take it to an authorized UPS drop-off center. For the location of your local UPS drop-off center, call 1-800-PICKUPS or visit www.ups.com. If you are returning via USPS label, give the package to a U.S. Postal Service carrier or drop off at a U.S. Postal Service Office. For more information, or to order additional labels or boxes for bulk returns, visit www.hp.com/recycle or call 1-800-340-2445. Requested UPS pickup will be charged normal pickup rates. Information subject to change without notice.

Residents of Alaska and Hawaii

Do not use the UPS label. Call 1-800-340-2445 for information and instructions. The U.S. Postal Service provides no-cost cartridge return transportation services under an arrangement with HP for Alaska and Hawaii.

Non-U.S. returns

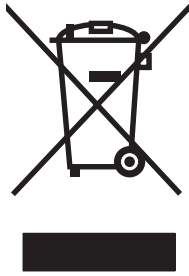
To participate in HP Planet Partners return and recycling program, just follow the simple directions in the recycling guide (found inside the packaging of your new product supply item) or visit www.hp.com/recycle. Select your country/region for information on how to return your HP LaserJet printing supplies.

Material restrictions

This HP product does not contain added mercury.

This HP product does not contain a battery.

Disposal of waste equipment by users in private households in the European Union



This symbol on the product or on its packaging indicates that this product must not be disposed of with your other household waste. Instead, it is your responsibility to dispose of your waste equipment by handing it over to a designated collection point for the recycling of waste electrical and electronic equipment. The separate collection and recycling of your waste equipment at the time of disposal will help to conserve natural resources and ensure that it is recycled in a manner that protects human health and the environment. For more information about where you can drop off your waste equipment for recycling, please contact your local city office, your household waste disposal service or the shop where you purchased the product.

Chemical substances

HP is committed to providing our customers with information about the chemical substances in our products as needed to comply with legal requirements such as REACH (Regulation EC No 1907/2006 of the European Parliament and the Council). A chemical information report for this product can be found at: www.hp.com/go/reach.

Material Safety Data Sheet (MSDS)

Material Safety Data Sheets (MSDS) for supplies containing chemical substances (for example, toner) can be obtained by accessing the HP Web site at www.hp.com/go/msds or www.hp.com/hpinfo/community/environment/productinfo/safety.

For more information

To obtain information about these environmental topics:

- Product environmental profile sheet for this and many related HP products
- HP's commitment to the environment
- HP's environmental management system
- HP's end-of-life product return and recycling program
- Material Safety Data Sheets

Visit www.hp.com/go/environment or www.hp.com/hpinfo/globalcitizenship/environment.

Declaration of conformity

according to ISO/IEC 17050-1 and EN 17050-1; BOISB-0805-00-rel.1.0

Manufacturer's Name: Hewlett-Packard Company
Manufacturer's Address: 11311 Chinden Boulevard,
Boise, Idaho 83714-1021, USA

declares, that the product

Product Name: HP Color LaserJet CP5220 Series
Regulatory Model:²⁾ BOISB-0805-00


Product Options: Including: CE860A — Optional 500-Sheet Input Tray
All
Toner Cartridges: CE740A, CE741A, CE742A, CE743A

conforms to the following Product Specifications:

SAFETY: IEC 60950-1:2001 / EN60950-1: 2001 +A11
IEC 60825-1:1993 +A1 +A2 / EN 60825-1:1994 +A1 +A2 (Class 1 Laser/LED Product)
GB4943-2001

EMC: CISPR22:2005 / EN55022:2006 - Class B¹⁾
EN 61000-3-2:2006
EN 61000-3-3:1995 +A1
EN 55024:1998 +A1 +A2
FCC Title 47 CFR, Part 15 Class B / ICES-003, Issue 4
GB9254-1998, GB17625.1-2003

Supplementary Information:

The product herewith complies with the requirements of the EMC Directive 2004/108/EEC and the Low Voltage Directive 2006/95/EC, and carries the CE-Marking  accordingly.

This Device complies with Part 15 of the FCC Rules. Operation is subject to the following two Conditions: (1) this device may not cause harmful interference, and (2) this device must accept any interference received, including interference that may cause undesired operation.

1) The product was tested in a typical configuration with Hewlett-Packard Personal Computer Systems.

2) For regulatory purposes, these products are assigned a Regulatory model number. This number should not be confused with the product name or the product number(s).

Boise, Idaho 83713, USA

January 2009

For Regulatory Topics Only:

European Contact Your Local Hewlett-Packard Sales and Service Office or Hewlett-Packard GmbH, Department HQ-TRE / Standards Europe, Herrenberger Strasse 140, D-71034 Böblingen, Germany, (FAX: +49-7031-14-3143), <http://www.hp.com/go/certificates>

USA Contact Product Regulations Manager, Hewlett-Packard Company, PO Box 15, Mail Stop 160, Boise, ID 83707-0015, USA, (Phone: 208-396-6000)

Safety statements

Laser safety

The Center for Devices and Radiological Health (CDRH) of the U.S. Food and Drug Administration has implemented regulations for laser products manufactured since August 1, 1976. Compliance is mandatory for products marketed in the United States. The device is certified as a “Class 1” laser product under the U.S. Department of Health and Human Services (DHHS) Radiation Performance Standard according to the Radiation Control for Health and Safety Act of 1968. Since radiation emitted inside the device is completely confined within protective housings and external covers, the laser beam cannot escape during any phase of normal user operation.

△ **WARNING!** Using controls, making adjustments, or performing procedures other than those specified in this user guide may result in exposure to hazardous radiation.

Canadian DOC regulations

Complies with Canadian EMC Class B requirements.

« Conforme à la classe B des normes canadiennes de compatibilité électromagnétiques. « CEM ». »

VCCI statement (Japan)

この装置は、情報処理装置等電波障害自主規制協議会（VCCI）の基準に基づくクラスB情報技術装置です。この装置は、家庭環境で使用することを目的としていますが、この装置がラジオやテレビジョン受信機に近接して使用されると、受信障害を引き起こすことがあります。
取扱説明書に従って正しい取り扱いをして下さい。

Power cord instructions

Make sure your power source is adequate for the product voltage rating. The voltage rating is on the product label. The product uses either 100-127 Vac or 220-240 Vac and 50/60 Hz.

Connect the power cord between the product and a grounded AC outlet.

△ **CAUTION:** To prevent damage to the product, use only the power cord that is provided with the product.

Power cord statement (Japan)

製品には、同梱された電源コードをお使い下さい。
同梱された電源コードは、他の製品では使用出来ません。

EMC statement (Korea)

| | |
|-----------------------|--|
| B급 기기 (가정용 방송통신기기) | 이 기기는 가정용(B급)으로 전자파적합등록을 한 기기로서 주로 가정에서 사용하는 것을 목적으로 하며, 모든 지역에서 사용할 수 있습니다. |
|-----------------------|--|

Laser statement for Finland

Luokan 1 laserlaite

Klass 1 Laser Apparat

HP Color LaserJet Professional CP5220 Series, laserkirjoitin on käyttäjän kannalta turvallinen luokan 1 laserlaite. Normaalisissa käytössä kirjoittimen suojakotelointi estää lasersäteiden pääsyn laitteen ulkopuolelle. Laitteen turvallisuusluokka on määritetty standardin EN 60825-1 (1994) mukaisesti.

VAROITUS !

Laitteen käyttäminen muulla kuin käyttöohjeessa mainitulla tavalla saattaa altistaa käyttäjän turvallisuusluokan 1 ylittävälle näkymättömälle lasersäteilylle.

WARNING !

Om apparaten används på annat sätt än i bruksanvisning specificerats, kan användaren utsättas för osynlig laserstrålning, som överskrider gränsen för laserklass 1.

HUOLTO

HP Color LaserJet Professional CP5220 Series - kirjoittimen sisällä ei ole käyttäjän huollettavissa olevia kohteita. Laitteen saa avata ja huoltaa ainoastaan sen huoltamiseen koulutettu henkilö. Tällaiseksi huoltotoimenpiteeksi ei katsota väriainekasetin vaihtamista, paperiradan puhdistusta tai muita käyttäjän käsikirjassa lueteltuja, käyttäjän tehtäväksi tarkoitettuja ylläpitotoimia, jotka voidaan suorittaa ilman erikoistyökaluja.

VARO !

Mikäli kirjoittimen suojakotelo avataan, olet alttiina näkymättömälle lasersäteilylle laitteen ollessa toiminnassa. Älä katso säteeseen.

WARNING !

Om laserprinterns skyddshölje öppnas då apparaten är i funktion, utsättas användaren för osynlig laserstrålning. Betrakta ej strålen. Tiedot laitteessa käytettävän laseriodin säteilyominaisuuksista: Aallonpituus 775-795 nm Teho 5 m W Luokan 3B laser.

Substances Table (China)

有毒有害物质表

根据中国电子信息产品污染控制管理办法的要求而出台

| 部件名称 | 有毒有害物质和元素 | | | | | |
|--------|-----------|--------|--------|--------------|------------|--------------|
| | 铅 (Pb) | 汞 (Hg) | 镉 (Cd) | 六价铬 (Cr(VI)) | 多溴联苯 (PBB) | 多溴二苯醚 (PBDE) |
| 打印引擎 | X | 0 | X | 0 | 0 | 0 |
| 控制面板 | 0 | 0 | 0 | 0 | 0 | 0 |
| 塑料外壳 | 0 | 0 | 0 | 0 | 0 | 0 |
| 格式化板组件 | X | 0 | 0 | 0 | 0 | 0 |
| 碳粉盒 | X | 0 | 0 | 0 | 0 | 0 |
| | | | | | | |

3685

0：表示在此部件所用的所有同类材料中，所含的此有毒或有害物质均低于 SJ/T11363-2006 的限制要求。

X：表示在此部件所用的所有同类材料中，至少一种所含的此有毒或有害物质高于 SJ/T11363-2006 的限制要求。

注：引用的“环保使用期限”是根据在正常温度和湿度条件下操作使用产品而确定的。

Index

Symbols/Numerics

<Color> in wrong position error message 96

A

accessibility features 4
accessories
 ordering 84, 128
acoustic specifications 138
advanced printing options
 Windows 54
alerts
 viewing with
 HP ToolboxFX 67
Alerts tab, HP ToolboxFX 67
alerts, setting up 67
alternative letterhead mode 54
altitude specifications 138
anticounterfeit supplies 79
archive setting 9
auto continue
 use 80
Automatic crossover
 setting 36
automatic crossover, setting 9

B

background, gray 114
bands, troubleshooting 114
batteries included 142
bin, output
 capacity 4
 locating 5
black and white printing
 troubleshooting 117
blank pages, troubleshooting 121
BOOTP 34
buttons, control panel 8

C

cables
 connecting network 29
 connecting USB 29
 USB, troubleshooting 121
calibrating color 12, 73, 113
Canadian DOC regulations 145
canceling a print job 50
cancelling a print job 50
capacity
 output bin 4
cartridges
 error messages 98
 low or out, settings 13
 non-HP 79
 recycling 3
 replace message 98
 status, viewing with
 HP ToolboxFX 67
 storage 79
 supplies status page 9
 using when out of toner 80
 warranty 80
cartridges, print
 Macintosh status 28
characters, troubleshooting 115
cleaning 88
color
 adjusting 58
 calibrating 12, 73, 113
 Edge Control 58
 HP ImageREt 3600 62
 Macintosh settings 28
 managing 58
 matching 60
 Microsoft Office Basic Colors palette 60
 Neutral Grays 58
 print in grayscale 58
 printed vs. monitor 60
 restricting 12
 sRGB 59, 62
 troubleshooting 112
color themes 58
color usage log 9
colored text
 print as black 54
configuration page 9, 33
configure the product,
 Macintosh 25
connecting
 network 29
 USB 29
contrast
 print density 73
control panel
 automatic crossover,
 setting 36
 language 9
 lights and buttons 8
 locating 5
 menu map, printing 9
 menus 9
 messages, troubleshooting 68
 Network Configuration menu 9
 network services, setting, IPv4,
 IPv6 36
 Reports menu 9
 restore defaults, network settings 37
 restore defaults, product settings 100
 Service menu 9
 settings 19, 24
 show IP address, setting 36
 System Setup menu 9

- copies, number of
 - Windows 54
- counterfeit supplies 79
- country/region of origin 6
- cover pages 26, 51
- creases, troubleshooting 116
- crooked pages 116
- curl, paper
 - settings 9
- curled media 116
- custom-size paper settings
 - Macintosh 26
- customer support
 - online 135
 - service information form 136

D

- declaration of conformity 144
- default settings, restoring 9
- demo page 9
- density settings 73
- device error message 96
- DHCP 34
- DIMMs
 - installing 84
 - verifying installation 88
- disposal, end-of-life 142
- documentation 128
- dots per inch (dpi)
 - HP ImageREt 3600 62
 - specifications 4
- dots, troubleshooting 113
- double-sided printing 28
- dpi (dots per inch)
 - HP ImageREt 3600 62
 - specifications 4
- drivers
 - included 4
 - Macintosh settings 26
 - Macintosh,
 - troubleshooting 124
 - presets (Macintosh) 26
 - settings 19, 24, 25
 - shortcuts (Windows) 51
 - supported 18
 - universal 18
 - usage page 9
 - Windows, opening 51
- duplex printing
 - Windows 44

E

- E-mail alerts tab,
 - HP ToolboxFX 69
- e-mail alerts, setting up 67
- Edge Control 58
- electrical specifications 138
- embedded Web server
 - accessing 21
 - Networking tab 78
 - Print tab 78
 - Status tab 77
 - System tab 78
- end-of-life disposal 142
- Energy Star compliance 4
- engine, cleaning 88
- environment specifications 138
- environmental features 3
- environmental stewardship
 - program 141
- EPS files, troubleshooting 125
- error messages, control panel 68
- errors
 - software 122
- European Union, waste
 - disposal 143
- Event log 68
- extended print modes
 - HP ToolboxFX settings 73

F

- factory defaults, restoring 9
- faded print 113
- fan error message 95
- features 4
- Finnish laser safety
 - statement 146
- firmware
 - about upgrades 89
- first page
 - use different paper 26
- fonts
 - DIMMs, installing 84
 - EPS files, troubleshooting 125
 - lists, printing 9
- fraud hotline 79
- front door, locating 5
- fuser
 - errors 94
 - jams 103

G

- gateways 35
- General Protection FaultException
 - OE 123
- gray background,
 - troubleshooting 114
- grayscale
 - troubleshooting 117
- grayscale printing 58

H

- Help tab, HP ToolboxFX 67
- HP Customer Care 135
- HP fraud hotline 79
- HP ImageREt 3600 62
- HP ToolboxFX
 - about 67
 - Alerts tab 67
 - density settings 73
 - description 22
 - downloading 22
 - E-mail alerts tab 69
 - Help tab 67
 - Microsoft Office Basic Colors
 - palette, printing 60
 - Network Settings tab 67
 - opening 67
 - Print Quality Troubleshooting
 - page 119
 - Print Settings tab 67
 - Product information tab 67
 - Status tab 67
 - supported browsers 22
 - supported operating
 - systems 22
 - System Settings tab 67
 - System Setup tab 73
- HP Universal Print Driver 18
- HP Web Jetadmin 21
- humidity specifications 138

I

- Illegal Operation errors 123
- image quality
 - archive setting 9
 - HP ImageREt 3600 62
 - HP ToolboxFX settings 73
 - print, troubleshooting 112
- ImageREt 3600 4, 62

- information pages
 - configuration 33
 - network summary report 33
- install supplies message 97
- interface ports
 - types included 4
- invalid driver error message 97
- IP address
 - BOOTP 34
 - Macintosh,
 - troubleshooting 124
 - overview 34
 - protocols supported 32

J

- jam recovery 102
- jams
 - common causes of 101
 - fuser 103
 - locations 101
 - lower right door 111
 - output bin 107
 - right door 103
 - tracking number of 9
 - Tray 1 107
 - Tray 2 109
 - Tray 3 110, 111
- jams <location>
 - error messages 97
- jams tray #
 - error messages 97
- Japanese VCCI statement 145
- Jetadmin, HP Web 21

K

- Korean EMC statement 145

L

- landscape orientation
 - setting, Windows 44
- language, control panel 9
- laser safety statements 145, 146
- letterhead paper, loading 54
- license, software 132
- light print, troubleshooting 113
- lightness
 - faded print,
 - troubleshooting 113
- lights, control panel 8
- lines, troubleshooting
 - printed pages 114

- loading
 - media 46
 - paper 46
- loading media
 - error messages 97
- loose toner, troubleshooting 114
- lower right door
 - jams 111

M

- Macintosh
 - configure the product
 - software 25
 - driver settings 25, 26
 - drivers, troubleshooting 124
 - removing software 24
 - resize documents 26
 - software 24
 - support 135
 - supported operating
 - systems 24
 - troubleshooting 124
 - USB card,
 - troubleshooting 125
- Macintosh driver settings
 - custom-size paper 26
 - Services tab 28
 - watermarks 27
- matching colors 60
- material restrictions 142
- Material Safety Data Sheet (MSDS) 143
- media
 - curl settings 9
 - curled, troubleshooting 116
 - custom-size, Macintosh
 - settings 26
 - default settings 9, 72
 - first page 26
 - HP ToolboxFX settings 67
 - pages per sheet 27
 - specification guide 128
 - supported sizes 41
 - wrinkled 116
- media jams. *See* jams
- memory
 - adding 84
 - enabling 87
 - error messages 97
 - included 2

- installing 84
 - specifications 4
 - verifying installation 88
- menus, control panel
 - map, printing 9
 - Network Configuration 9
 - Reports 9
 - Service 9
 - System Setup 9
 - using 9
- mercury-free product 142
- messages, control panel 68
- Microsoft Office Basic Colors
 - palette, printing 60
- misprint error message 98
- model number 6
- multiple pages per sheet
 - Windows 44

N

- n-up printing
 - Windows 44
- network
 - configuration page 9
 - configuring 33
 - DHCP 34
 - embedded Web server,
 - accessing 76
 - gateways 35
 - IP address 34, 35
 - models supporting 2
 - operating systems
 - supported 30
 - password, setting 69
 - product discovery 31
 - protocols supported 31
 - settings 9
 - settings report 9
 - TCP/IP 34
- Network Configuration menu 9
- network port
 - connecting 29
 - locating 6
 - type included 4
- network services
 - setting, IPv4, IPv6 36
- Network Settings tab,
 - HP ToolboxFX 67
- network summary report 33

- Networking tab, embedded Web server 78
 - networks
 - subnets 34
 - Neutral Grays 58
 - non-HP supplies 79
- O**
- on/off button 5
 - online support 135
 - operating environment specifications 138
 - operating systems supported 4, 18, 24
 - operating systems, networks 30
 - ordering
 - supplies and accessories 128
 - ordering supplies
 - Web sites 84
 - orientation
 - setting, Windows 44
 - output bin
 - capacity 4
 - jams 107
 - locating 5
 - output quality
 - archive setting 9
 - HP ImageREt 3600 62
 - HP ToolboxFX settings 73
 - print, troubleshooting 112
- P**
- page count 9
 - page order, changing 54
 - page too complex error message 98
 - pages
 - blank 121
 - not printing 121
 - printing slowly 121
 - skewed 116
 - pages per minute 2, 4
 - pages per sheet
 - Windows 44
 - paper
 - covers, using different paper 51
 - curl settings 9
 - curled, troubleshooting 116
 - custom size, selecting 51
 - custom-size, Macintosh settings 26
 - default settings 9, 72
 - first and last pages, using different paper 51
 - first page 26
 - HP ToolboxFX settings 73
 - pages per sheet 27
 - size, selecting 51
 - specification guide 128
 - supported sizes 41
 - type, selecting 51
 - wrinkled 116
 - paper jams. *See* jams
 - paper, ordering 128
 - part numbers 128
 - password, network 69
 - pausing a print job 50
 - PCL drivers
 - universal 18
 - PCL font list 9
 - PCL settings, HP ToolboxFX 74
 - physical specifications 138
 - Planet Partners program 3
 - portrait orientation
 - setting, Windows 44
 - ports
 - troubleshooting
 - Macintosh 125
 - types included 4
 - PostScript settings, HP ToolboxFX 74
 - power
 - consumption 138
 - power button 5
 - power connection, locating 6
 - presets (Macintosh) 26
 - print cartridges
 - error messages 98
 - low or out, settings 13
 - Macintosh status 28
 - non-HP 79
 - recycling 3
 - replace message 98
 - replacing 79
 - status, viewing with
 - HP ToolboxFX 67
 - storage 79
 - supplies status page 9
 - using when out of toner 80
 - warranty 80
 - print cartridges, accessing 5
 - print density settings 73
 - print failure error message 98
 - print media
 - supported 41
 - print modes, extended
 - HP ToolboxFX settings 73
 - print on both sides
 - Windows 44
 - print quality
 - archive setting 9
 - HP ImageREt 3600 62
 - HP ToolboxFX settings 73
 - troubleshooting 112
 - troubleshooting page 119
 - Print Settings tab, HP ToolboxFX 67
 - Print tab, embedded Web server 78
 - printing
 - troubleshooting 121
 - priority, settings 19, 24
 - problem-solving
 - Windows issues 123
 - product discovery over network 31
 - Product information tab, HP ToolboxFX 67
 - product registration 74
 - product status
 - Macintosh Services tab 28
 - production code 6
 - protocols, networks 31
 - PS Emulation drivers 18
 - PS font list 9
- Q**
- quality
 - archive setting 9
 - HP ImageREt 3600 62
 - HP ToolboxFX settings 73
 - print, troubleshooting 112
 - Quick Sets 51
- R**
- rear door, locating 6

- recycling
 - HP printing supplies returns and environmental program 79
 - registration, product 74
 - remote firmware upgrades
 - about 89
 - removing Macintosh software 24
 - repacking the product 135
 - repetitive defects,
 - troubleshooting 117
 - replace supplies message 98
 - replacement parts, and supplies 128
 - Reports menu 9
 - reports, product
 - configuration page 33
 - network summary report 33
 - resize documents
 - Macintosh 26
 - Windows 51
 - resolution
 - features 4
 - HP ImageREt 3600 62
 - specifications 4
 - restore defaults
 - network settings 37
 - product settings 9, 100
 - revision level 6
 - RGB settings 59, 62
 - right door
 - jams 103
- S**
- safety statements 145, 146
 - scale documents
 - Macintosh 26
 - Windows 51
 - scatter, troubleshooting 116
 - serial number 6
 - service
 - information form 136
 - repacking the product 135
 - service error message 96
 - Service menu 9
 - service page 10
 - Services tab
 - Macintosh 28
 - settings
 - color 62
 - configuration page 33
 - driver presets (Macintosh) 26
 - drivers 19, 25
 - HP ToolboxFX 67
 - network report 9
 - network summary report 33
 - priority 19, 24
 - restoring defaults 9
 - System Setup menu 9
 - shipping lock error message 98
 - shipping the product 135
 - shortcuts 51
 - Show IP address
 - setting 36
 - size specifications, product 138
 - sizes, media
 - default, setting 9
 - skewed pages 116
 - smearred toner,
 - troubleshooting 114
 - software
 - embedded Web server 21
 - HP ToolboxFX 22, 67
 - HP Web Jetadmin 21
 - Macintosh 24
 - problems 122
 - settings 19, 24
 - software license agreement 132
 - supported operating systems 18, 24
 - uninstalling Macintosh 24
 - Windows 17, 22
 - spare parts 128
 - special media
 - guidelines 45
 - special paper
 - guidelines 45
 - specifications
 - documentation 128
 - electrical and acoustic 138
 - environment 138
 - features 4
 - model and serial number 6
 - physical 138
 - specks, troubleshooting 113
 - speed
 - print specifications 4
 - Spool32 errors 123
 - spots, troubleshooting 113
 - sRGB settings 59, 62
 - status
 - alerts, HP ToolboxFX 67
 - Macintosh services tab 28
 - supplies, printing report 9
 - viewing with
 - HP ToolboxFX 67
 - Status tab, embedded Web server 77
 - Status tab, HP Toolbox FX 67
 - stopping a print job 50
 - storing
 - print cartridges 79
 - product 138
 - streaks, troubleshooting 114
 - subnet mask 35
 - subnets 34
 - supplies
 - counterfeit 79
 - error messages 98
 - low or out, settings 13
 - non-HP 79
 - ordering 74, 84, 128
 - recycling 3
 - replace message 98
 - shipping lock error message 98
 - status, viewing with
 - HP ToolboxFX 67
 - wrong position error message 96
 - supplies status page 9
 - supply-status, Services tab
 - Macintosh 28
 - Windows 54
 - support
 - online 54, 74, 135
 - service information form 136
 - supported media 41
 - System Settings tab,
 - HP ToolboxFX 67
 - System Setup menu 9
 - System Setup tab,
 - HP ToolboxFX 73
 - System tab, embedded Web server 78
- T**
- TCP/IP
 - configuring 34

- operating systems
 - supported 30
- overview 34
- protocols supported 31
- settings 9
- technical support
 - online 135
 - service information form 136
- temperature specifications 138
- text, troubleshooting
 - misformed characters 115
- toner
 - loose, troubleshooting 114
 - scatter, troubleshooting 116
 - smear, troubleshooting 114
 - specks, troubleshooting 113
- toner cartridges. See print cartridges
- trapping 58
- tray
 - capacities 43
 - media types supported 43
 - media weights 43
- Tray 1
 - jams 107
 - loading 46
 - locating 5
 - settings 9
- tray 1 28
- Tray 2
 - capacity 5
 - jams 109
 - loading 46
 - locating 5
 - settings 9
- Tray 3
 - capacity 5
 - jams 110, 111
 - locating 5
- trays
 - capacities 4
 - double-sided printing 28
 - included 2
 - load error messages 97
 - locating 5
 - settings 9, 72
- troubleshooting
 - blank pages 121
 - calibration 113
 - checklist 92

- color 112
- configuration page,
 - printing 33
- control panel messages 68
- curled media 116
- EPS files 125
- faded print 113
- jams 101
- lines, printed pages 114
- loose toner 114
- Macintosh problems 124
- network summary report,
 - printing 33
- pages not printing 121
- pages printing slowly 121
- print quality 112, 119
- repetitive defects 117
- skewed pages 116
- text 115
- toner scatter 116
- toner smear 114
- toner specks 113
- USB cables 121
- wrinkles 116

two-sided printing

- Windows 44

types, media

- HP ToolboxFX settings 73

U

- uninstalling Macintosh software 24
- universal print driver 18
- upgrade firmware
 - about 89
- usage page 9
- USB port
 - connecting 29
 - locating 6
 - speed settings 9
 - troubleshooting 121
 - troubleshooting
 - Macintosh 125
 - type included 4

V

- vertical lines,
 - troubleshooting 114

W

- warranty
 - customer self repair 134
 - license 132
 - print cartridges 80
 - product 130
- watermarks
 - Windows 51
- wavy paper, troubleshooting 116
- Web sites
 - customer support 135
 - fraud reports 79
 - Macintosh customer support 135
 - Material Safety Data Sheet (MSDS) 143
 - ordering supplies 84
 - universal print driver 18
- Windows
 - driver settings 19
 - drivers supported 18
 - problem-solving issues 123
 - software components 22
 - supported operating systems 18
 - universal print driver 18
 - wrinkles, troubleshooting 116



CE710-90921

