

ViewMaster Pro Projection Screen

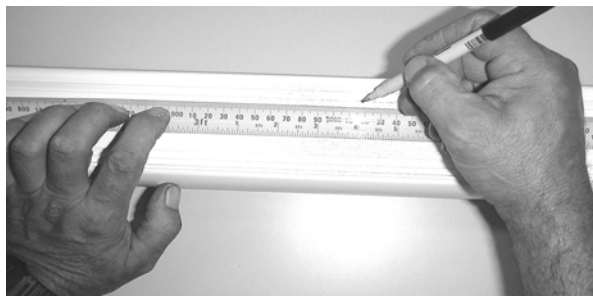
Thank you for purchasing a Screen Technics Projection Screen, please ensure that you read the following instructions fully before to install this product.

Wall Mounting Instructions

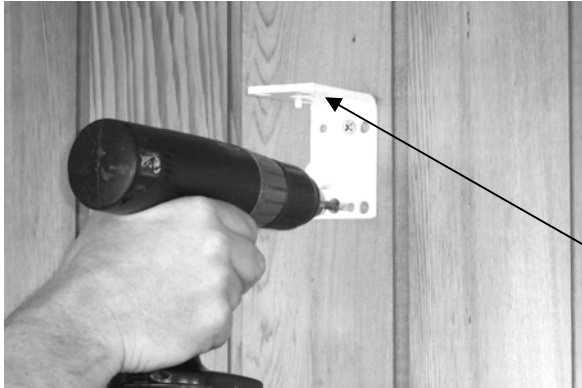
1. Measure the wall where the screen is to be installed and mark with a pencil the desired height to top of screen case and also the centre of the screen.



2. Measure the length of screen canister along the top surface and mark the centre of the canister with a pencil, to assist in lining up the screen when mounting.

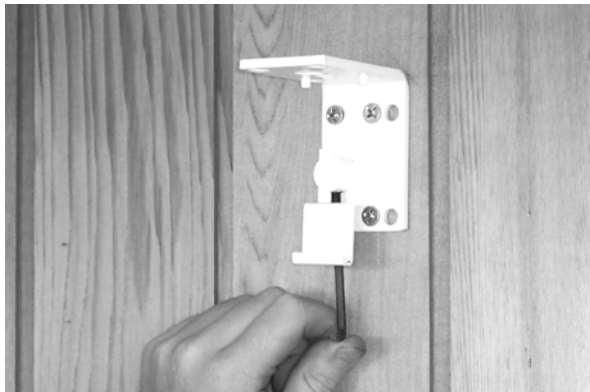


3. Determine the best positions for the wall brackets, allowing that in Gyprock or in low strength walls the brackets will be screwed into a timber stud. In more solid walls, such as masonry, position the brackets approx 150mm in from the canister end. The brackets should be no more than 450mm in from each end. You must use a minimum of 3 off wood screws per bracket or 2 off Dyna-bolts, for masonry walls and you must be satisfied that the attachment is strong enough for the a safe installation.



NB: Top of bracket equals top of screen canister.

4. You may need to remove the bottom clip in order to screw brackets to wall, please ensure to replace them afterwards.



5. Using two people install the screen by placing the screen canister into the bottom of the bracket clips and pivoting back the canister to slot the top fitting rail into the T channel running along the top of the canister (you may have to remove any tape that is in the way).

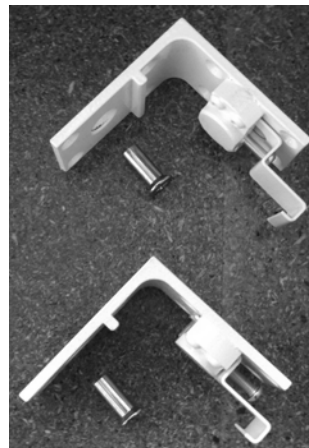
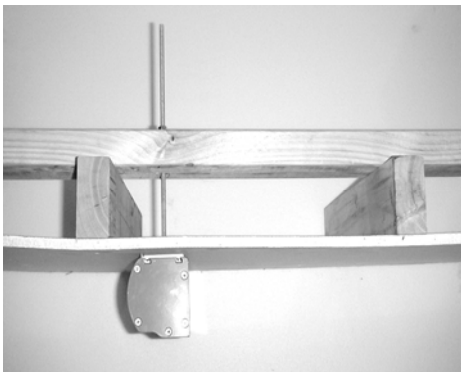


6. Holding screen in position tighten up Allen screw at each end and check that the top fitting rail has hooked into the T channel of the screen canister.



Ceiling Mount Instructions

Below is a photo showing a side view using the brackets for ceiling fixing, you would follow the instructions for the wall mounting system, with the only difference being the screen is mounted hard against the ceiling. It is important that adequate support is supplied by the ceiling structure to support the screen and to ensure a safe installation. Never rely just on the Gyprock for attachment. Note: threaded rod not supplied



Hanging Mount Instructions

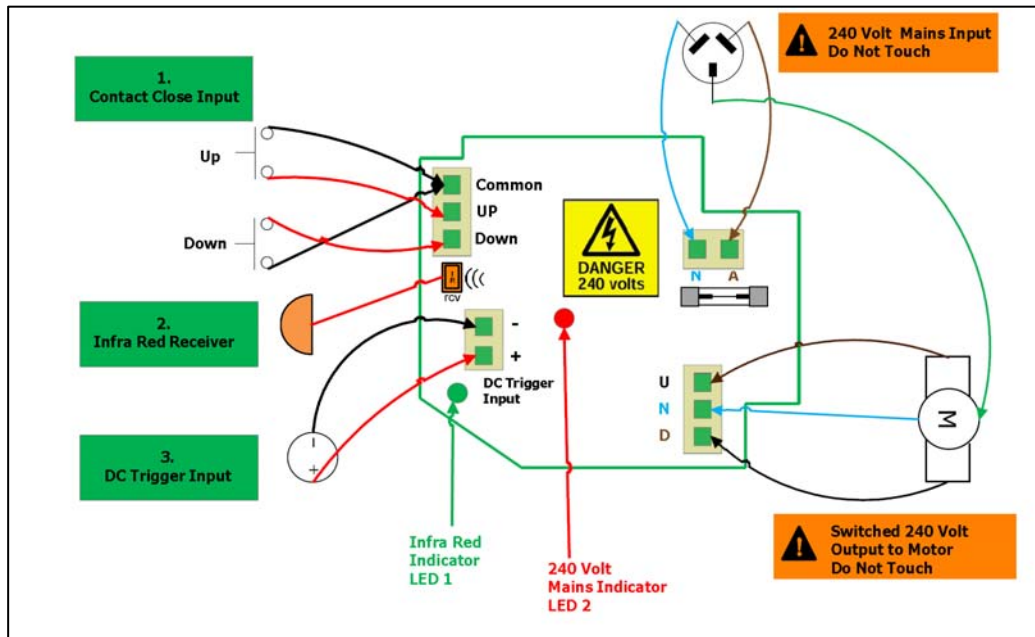
See photo showing a side view using the brackets for hanging, two hanging rings are supplied, attach the brackets to the canister as per point 6 in instructions.

Please ensure the hanging points are secured to a suitable structure.



Please follow these instructions to ensure trouble free operation;

- Ensure that the screen is free to descend and that any adhesive tape that has been placed on the bottom of the screen (*to stop movement during transport*) has been removed.
 - When installed, the opening in the canister should be down and at the back of the canister. This will put the motor on the left-hand side of the screen, as viewed by the audience.
 - Cleaning of the screen is best achieved by first dusting the surface with a feather duster, then to remove any stubborn marks, use a small amount of mild detergent and warm water on a clean white lint free cloth. Do not use a saturated cloth, as this may leave a watermark, only a damp one. It is most important that you only treat the actual mark by this process and not the entire surface.
- The Motor is 240 V 50Hz and draws 1.2 A.
- The screen drop is set and tested at the factory. Therefore, any damage caused to the screen from limit re-adjustment is not covered by warranty.



Access to control board is on left hand side of projector screen case
Power must be removed before accessing inputs on control board

1. Contact Close Input

No voltage, dry contact input
Requires latched or momentary contact only
Contact is closed between Up & Common – screen moves to up limit
Contact is closed between Down & Common – screen moves to bottom limit
Stop command is sent when opposite travel contact is closed or both Up & Down closed together



2. Infra-Red Receiver

Packaged with 300mm and 1.2 M lead from motor board to IR receiver
Packaged with standard 2 channel IR transmitter
Screen operates on group 1 & 2 on infra-red remote
Green LED on motor board will flash when IR commands are received



3. DC Trigger Input

Down command is sent when a DC Voltage of 1.5 Volts @ 1mA minimum is applied to trigger input
Up command is sent when a DC Voltage below 1.5 Volts @ 1mA minimum is applied to the trigger input
Trigger input is polarity sensitive
DC voltage must not exceed 15 Volts DC

Note: The Viewmaster pro is equipped with automatic retraction after power failure, if power is lost to the screen, the surface will retract to the up position when power is reconnected

Limit Setting for Viewmaster Pro Screens

The following instructions are for the adjustment of the limit switches that alter the upper and lower stop positions on Viewmaster Pro Screens only

Where are The Limit Switches?

(On the Left Hand Side).

One switch is accessible through the slat rod opening and the other is behind round cover plug towards the front of the canister.

Which Switch is for Up and Down?

Down switch - Accessible through the round cover plug

Up switch - Accessible through the slat rod opening

What Tools do I Need?

Either the limit setting tool (supplied), a narrow tip screw driver (less than 4mm) or a 4mm Allen Key

Which Way do I Turn the Switch?

Clockwise always increases the amount of rotation (travel) of the motor.

Anti-clockwise always reduces the amount of rotation (travel) of the motor.

So pick the switch responsible for the limit position, up or down. Clockwise turning of the switch will always let the motor travel further in that direction. Anti-clockwise turning of the switch will lessen the amount of travel in that direction.

Can I adjust the switch while the screen is sitting on the limit - ie fully up or down?

Clockwise adjustment? - YES. But it is better to back the screen away from the limit and then adjust

Anti-clockwise adjustment? - NO you will damage the micro switch if you turn it anti-clockwise while the screen is sitting on the limit. Never attempt this. You must back the screen away from the limit before adjustment. After adjustment you will need to run the screen up and down to pick up the new limit.

Will I void the product warranty if I damage the screen whilst making these adjustments?

Yes!!

Should you have any questions regarding the installation of our products
Please call our sales desk on +61 2 4869 2100 for assistance

Thinking Screens Think Screen Technics

