

Step 7. Mounting the Display onto the Articulated Arm

(2 required)

Lower the Display so that the Hook Plate locates with the Mounting Head.

Hook Plate

Mounting Head

If necessary, adjust the horizontal angle of the Mounting Rail so that the Display is level.

+/-5° Adjustment

TIP: Use a Spirit Level to check the Display is level.

Fix the Display in position using the Mount Head Screw and Nylon Washer supplied (see hardware).

4mm Allen Key

TIGHTEN FIRMLY

Nylon Washer

Mount Head Screw

Step 8. Cable Management

Connect cables to your Display and route through Cable Clips.

Cable Clip

Cables

Remove Cable Covers using a Phillips Head Screwdriver, and route the cables along the length of the arms. Reattach the Cable Covers to hold the Cables in place.

Cable Covers

TIP: Leave slack in the cables to allow full movement at the joints.

Step 9. Final Adjustment

Loosen the Clamp Lever and tilt the Display as desired.

LOOSEN

PULL

TIGHTEN

TIP: If the Clamp Lever is obstructed pull it outwards to disengage the ratchet mechanism.

Tighten the Clamp Lever to lock the Display in desired position.

Tilt Down

Tilt Up

TIP: The 4mm, 5mm, and 6mm Allen Keys can be stored in the Mounting Rail End Caps.

End Cap

Installation Complete

As Display Manufacturers are constantly releasing new monitor models, Atdec does not accept responsibility if the VESA mounting does not comply with the international standards. Due to continuing product development, the manufacturer reserves the right to alter specifications without notice. Published: 07.10.09 ©

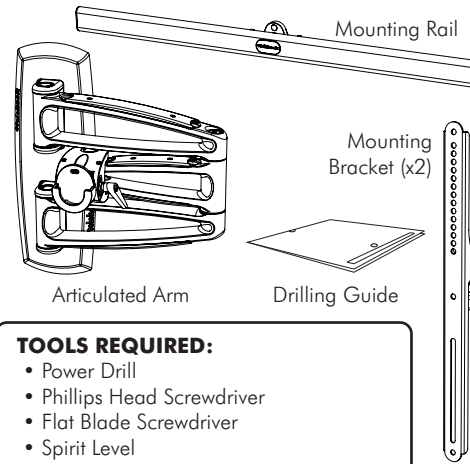
TH-3270-UFM

Installation Instructions

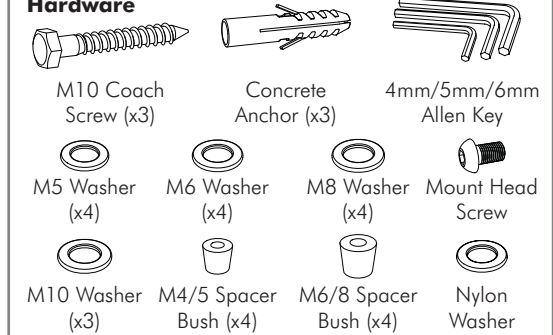
telehook

Flat Screen Wall Mount | Full Motion

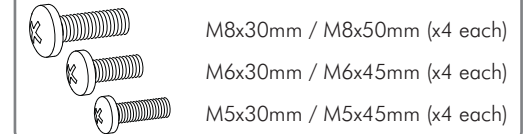
Component Checklist



Hardware



Mounting Screws



TOOLS REQUIRED:

- Power Drill
- Phillips Head Screwdriver
- Flat Blade Screwdriver
- Spirit Level
- 7mm (9/32") Drill Bit
- 12mm (1/2") Masonry Drill Bit
- 16mm (5/8") Socket Wrench or Shifter

IMPORTANT INFORMATION

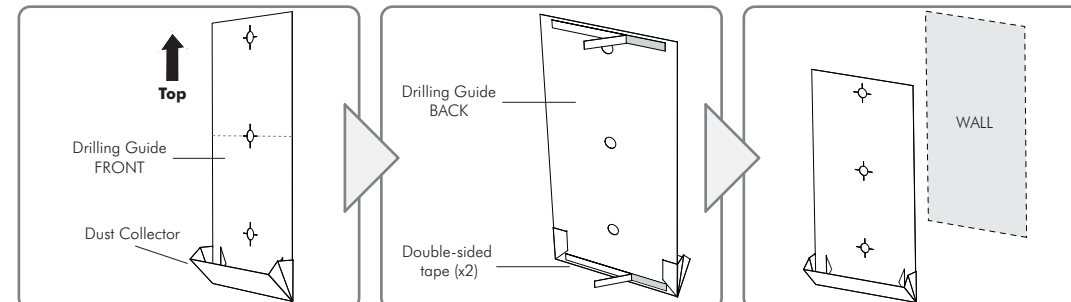
- ! **IMPORTANT** - Install Telehook Wall Mount as per Installation Instructions.
- ! Telehook Wall Mount has a universal mounting hole pattern that suits a broad range of TVs: from 150 to 805mm wide (6" to 31 3/4") and 140mm to 500mm high (5 1/2" to 19 3/4").
- ! The Manufacturer accepts no responsibility for incorrect installation.

Step 1. Check Components

Check you have received all parts against the Component Checklist and Hardware above.

Step 2. Locate Drilling Position

Choose the location of your Telehook Wall Mount, ensuring that the wall is structurally sound (for a timber stud wall, locate the stud using a stud detection device). Use the Drilling Guide to mark out the hole centres.

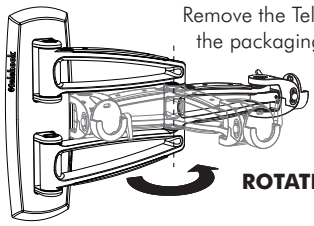


Un-fold the Drilling Guide and open the Dust Collector.

Peel away the backing from the double-sided adhesive tape.

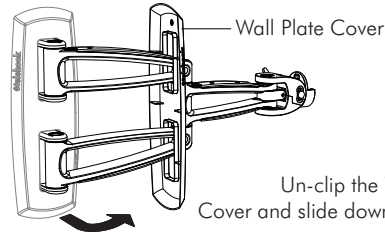
Position the Drilling Guide vertically onto the wall using a spirit level.

Step 3. Attaching the Articulated Arm to the Wall



Remove the Telehook Arm from the packaging and open fully.

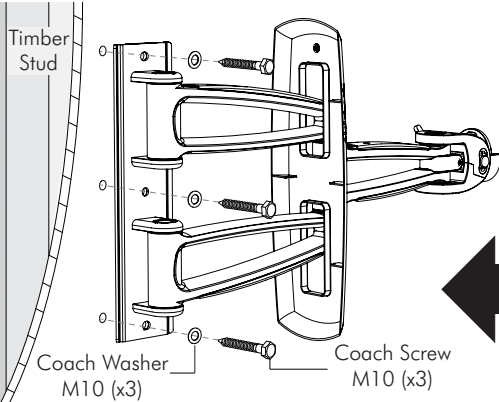
ROTATE



Un-clip the Wall Plate Cover and slide down the arm.

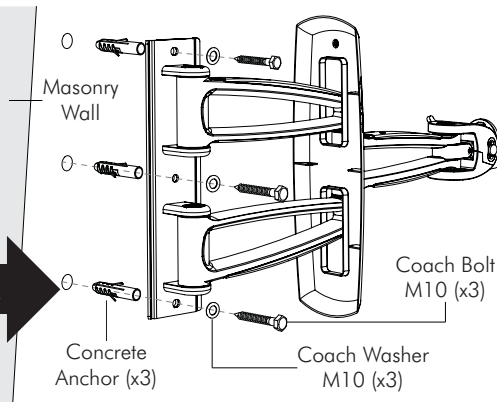
Timber Stud Wall

- Using the Drilling Guide, drill three 7mm (9/32") diameter holes, 60mm (2 3/8") deep.
- Secure the Mounting Plate to the wall using the Coach Screw and Washers supplied.



Masonry Wall

- Using the Drilling Guide, drill three 12mm (1/2") diameter holes, 60mm (2 3/8") deep.
- Secure the Mounting Plate to the wall using the Coach Screw, Washers and Anchors supplied.



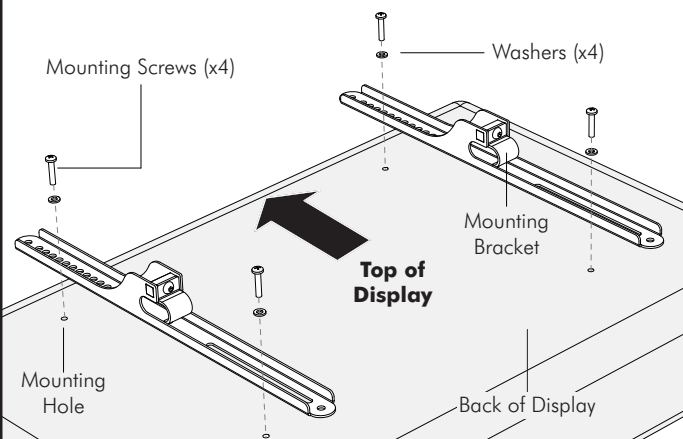
OR

Step 4. Attaching the Mounting Brackets to your Display

Choose appropriate Mounting Screws and Washers from the Hardware supplied to suit your Display.

Mounting Screws (x4)

Washers (x4)



Top of Display

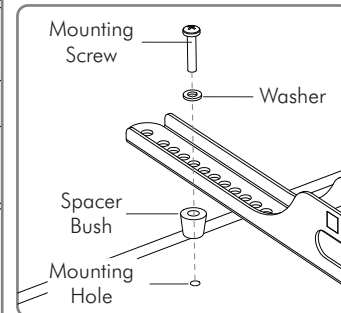
Mounting Bracket

Back of Display

TIP: Secure the Mounting Bracket to the Display through the top hole first, then the bottom slot.

Recessed Mounting Holes or Display with a Curved Rear Panel

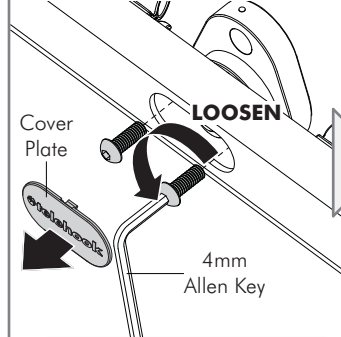
If the Mounting Holes are recessed into the back of the Display, or the Display has a curved rear panel, use the appropriate Spacer Bushes supplied to pack the Mounting Holes.
NOTE: Ensure the Mounting Bracket is securely fixed to the Display.



Step 5. Landscape or Portrait Setup

NOTE: The Mounting Rail is factory set to mount the Display in a **landscape** position. If you wish to mount the Display in a **portrait** position, please carry out the following instructions (if not, skip to Step 6).

- Remove the:
- Cover Plate.
 - Two Button Head Screws using the 4mm Allen Key supplied.



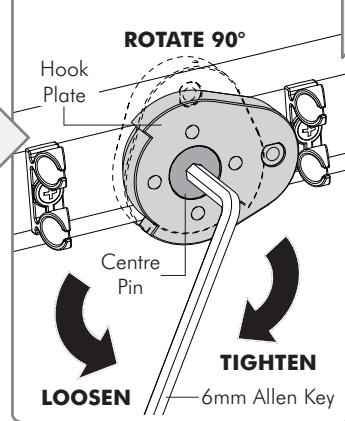
LOOSEN

Cover Plate

4mm Allen Key

TIP: Use a small Flat Blade Screwdriver to help prise the Cover Plate loose.

- Loosen, but do not remove the Centre Pin using the 6mm Allen Key supplied.
Rotate the Hook Plate 90°, then re-tighten the Centre Pin.



ROTATE 90°

LOOSEN

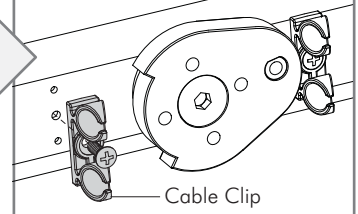
TIGHTEN

6mm Allen Key

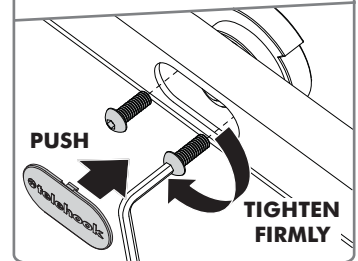
Hook Plate

Centre Pin

- Remove the lower Cable Clip. Then reinstall the two Button Head Screws and Cover Plate.



Cable Clip

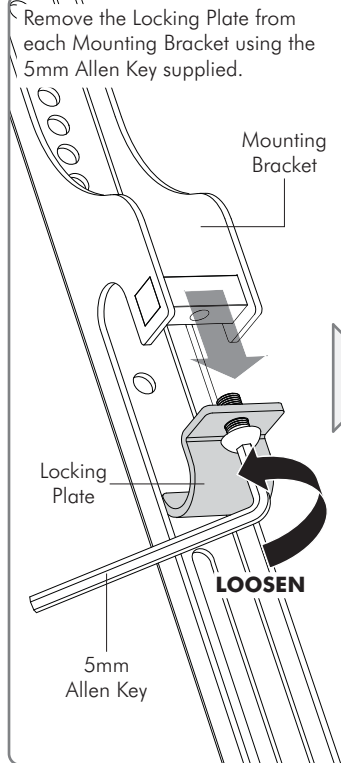


PUSH

TIGHTEN FIRMLY

Step 6. Attaching the Mounting Rail to the Mounting Brackets

- Remove the Locking Plate from each Mounting Bracket using the 5mm Allen Key supplied.

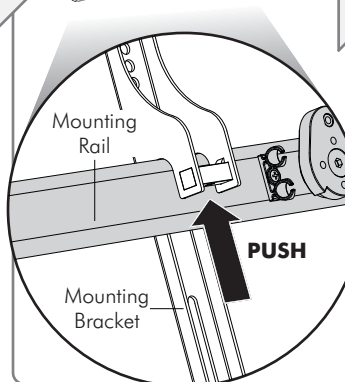
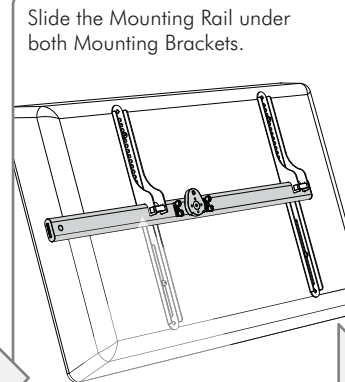


LOOSEN

Locking Plate

5mm Allen Key

- Slide the Mounting Rail under both Mounting Brackets.

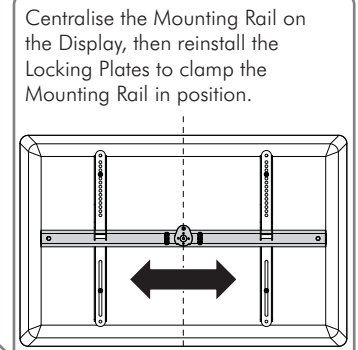


PUSH

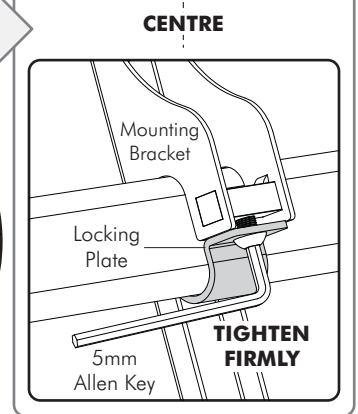
Mounting Rail

Mounting Bracket

- Centralise the Mounting Rail on the Display, then reinstall the Locking Plates to clamp the Mounting Rail in position.



CENTRE



TIGHTEN FIRMLY

Locking Plate

Mounting Bracket

5mm Allen Key