



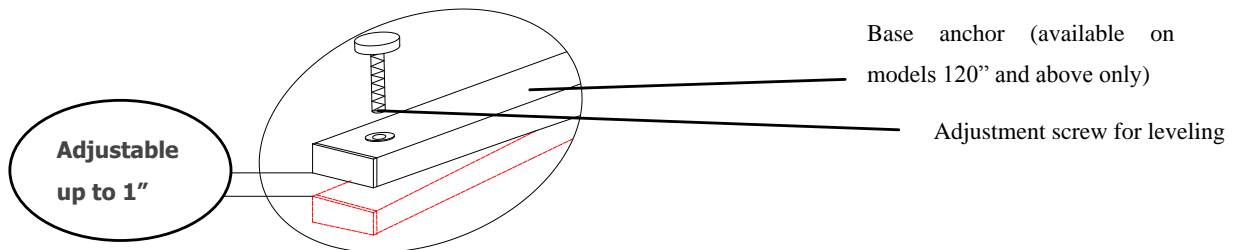
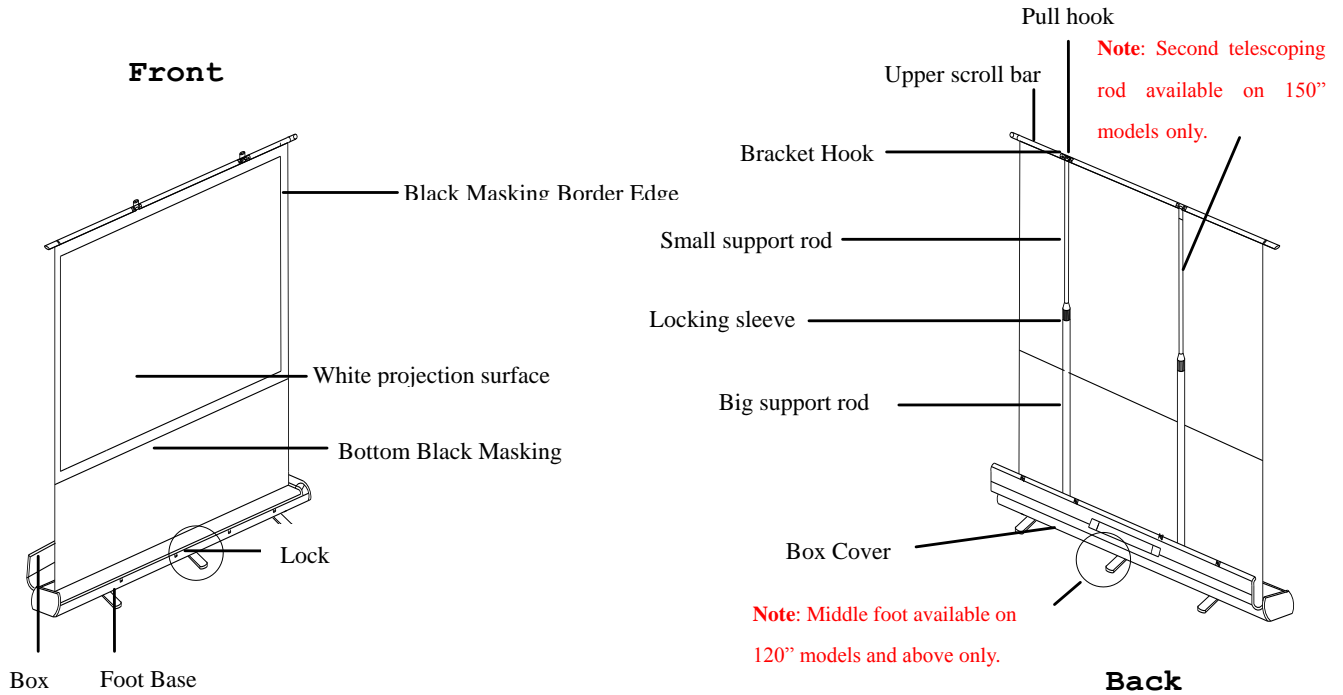
ezCinema Series

Portable Floor Pull-Up Screen

USER'S GUIDE



PARTS IDENTIFICATION:



Attention:

- Please install the two telescoping support rods simultaneously when pulling up and retracting the screen material.
- Do not use the screen in a very strong windy environment
- Do not use on uneven surfaces

New Functions and features of F120 and above models:

1. Base anchor allows screen to be adjusted up to 1 inch to level the screen to the ground
2. 40" bottom black border for better viewing for people in the back

Precautions:



Warning! Screen damage can result from product mishandling if the enclosed precautions are not followed.



In accordance with practicing home fire safety and to avoid screen damage, do not place the screen near or beside a fireplace or high temperature appliances such as a gas stove, BBQ or heater. (Fig. 1)

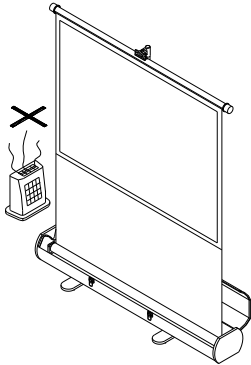


Fig.1

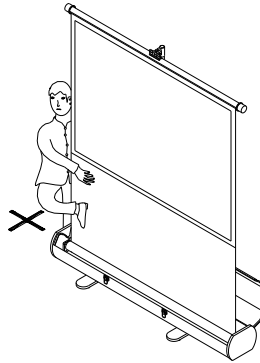


Fig.2



Place the screen beyond the reach of children. (Fig.2)

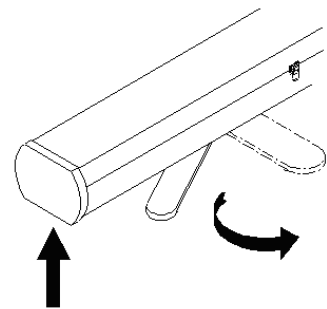
Setting up the screen

Installation:

The ezCinema screen is designed to be used as an easy to operate portable screen for a variety of presentation environments. Its design enables it to be versatile for use in either classroom, conference room, home or patio presentations. When packed, the unit carries with ease and opens up for projection presentations within seconds. As a general rule, portable projector screens should be installed in an area free from wind and heat or open flame sources such as a heater, BBQ grill or fireworks display.

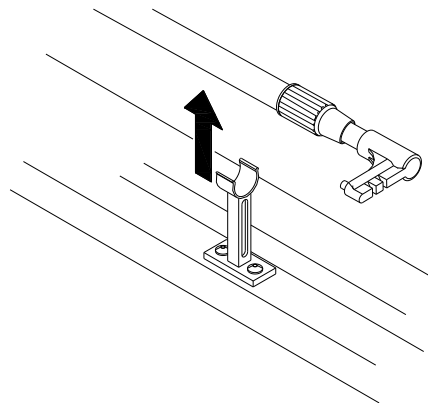
Extend the base feet:

Locate the base feet on the bottom of the box cover at each end and rotate the base foot until it forms a right angle between the footboard and the cover box.



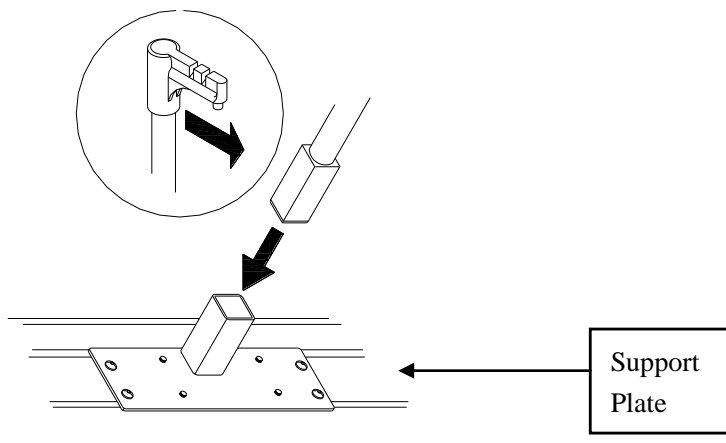
Open the box cover:

Unlatch the buckles on both ends of the box and open the box cover. Next, secure the box with one hand while removing the telescopic support rod with your other hand.



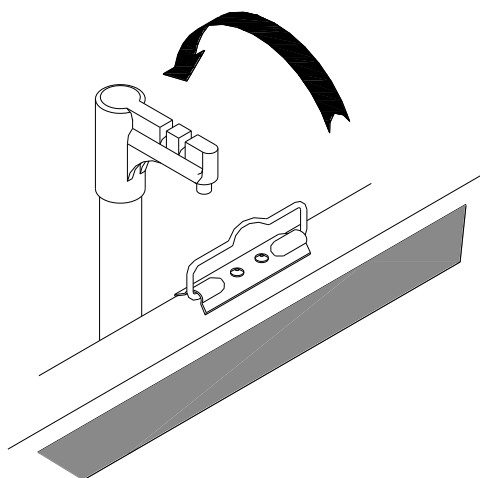
Installing the support rod:

First, make sure that the hanging hook is pointing toward the front facing the same direction as the screen, then insert the square end of the telescopic support rod into the support plate as shown below.



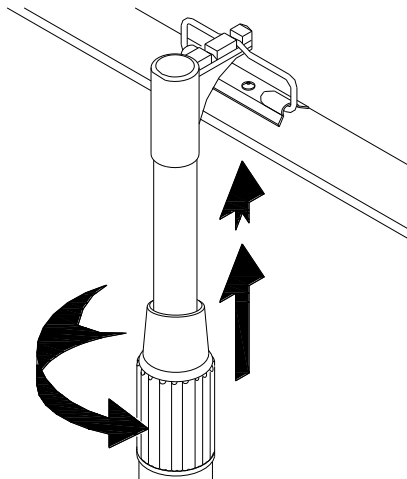
Pull up the screen:

Hold the pull hook with one hand, pull the screen up gently and hang it on the bracket hook.



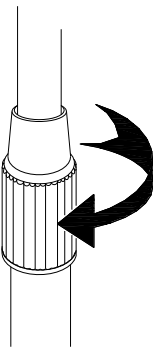
Vertical Adjustment:

First loosen the locking sleeve, and then hold the small support rod with the left hand so as to slowly raise it upwards until the screen is fully stretched to the desired position.

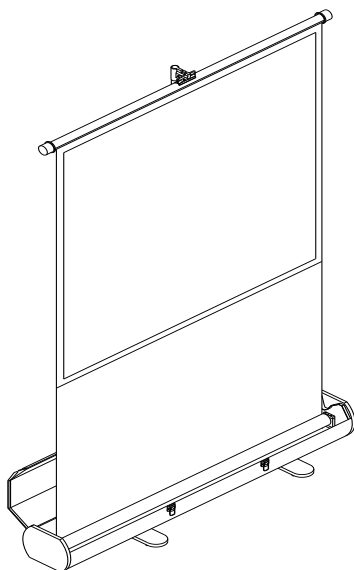


Adjusting the screen:

Hold the screen with the left hand when the screen has been stretched to the desired position, and then rotate the locking sleeve clockwise with the right hand until the telescopic rod is properly locked into position.



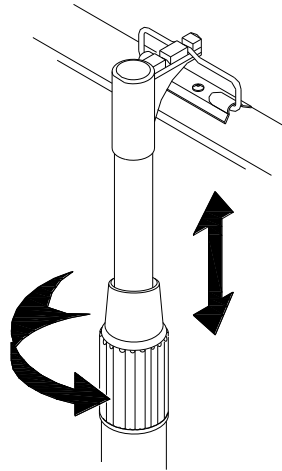
Screen completely assembled



Preparing screen for storage

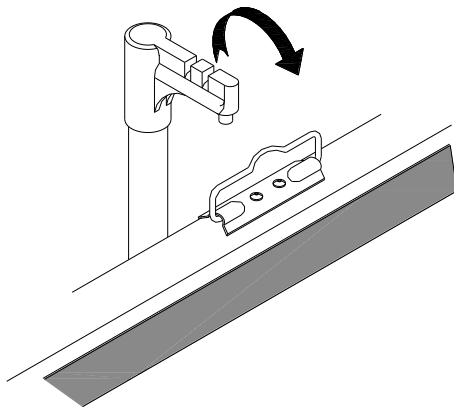
1. Pulling down the screen:

First, hold the telescopic support rod with the left hand and loosen the locking sleeve counter-clockwise with the right hand. Then shorten the telescoping support rod slowly into the full retracted position and tighten the locking sleeve to secure it in place.



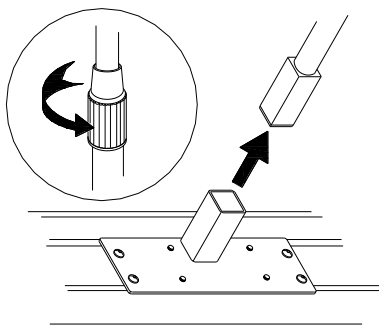
2. Retract the screen:

Remove the pull hook from the support bracket by lifting it about 2 cm up and then hold on to the pull hook and lower the screen gently into the box.



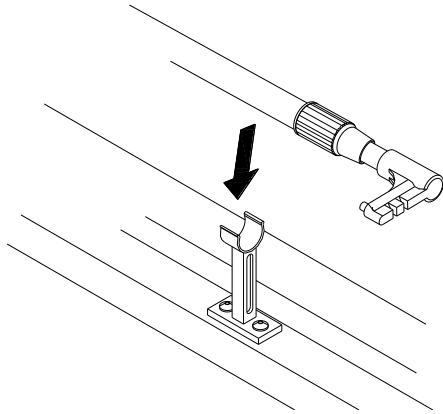
3. Pulling out the telescopic support rod:

After telescoping the small supporting rod to its shortest position and tightening the locking sleeve, take out the supporting rod from the support plate.



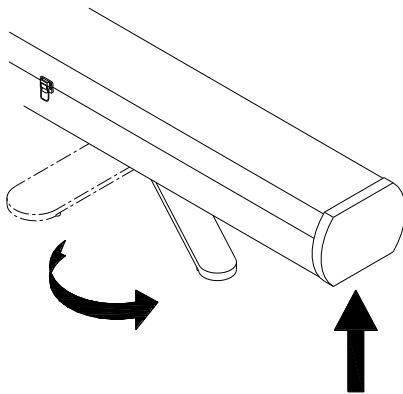
4. Storing the telescopic support rod:

Properly center the supporting rod in the middle to maintain the weight balance in the box when carrying.



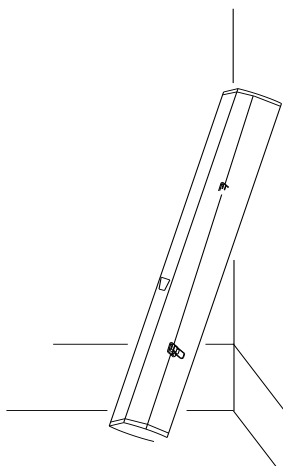
5. Draw the base feet back:

Slightly lift each end of the box in turn rotating the two base feet underneath until they are back into alignment with the box.



6. Storing the screen:

The recommended place for storage would be a corner of the room or in a closet, but the ultimate choice is up to you.



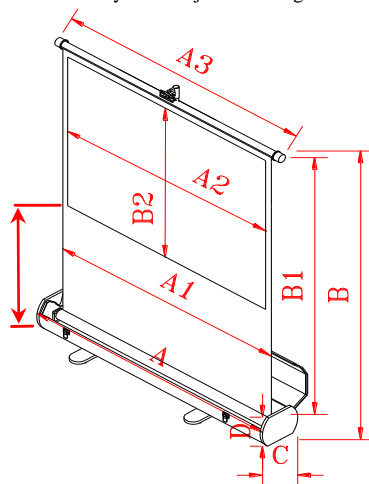
The following points should be noted to assure the sound performance of the screen

1. Never use your hand to touch the screen surface.
2. Never scrabble on the screen with anything.
3. Don't touch the screen with hard or sharp objects.
4. Please use a clean cotton cloth or soft dust brush to remove any dust particles on the screen.
5. The screen material may be cleaned with mild soap and water on a soft cloth

ezCinema Series Dimensions Table

Unit: mm											
Model	Case Length (A)	Screen Width (A1)	View Width (A2)	Upper Scroll Bar Length (A3)	Overall Height (B)	Screen Height (B1)	View Height (B2)	B3	Case Height (D)	Case Width (C)	N.W. (KGS)
F60N WV	1410.0	1295.0	1219.0	1379.0	1990.2	1854.2	914.4	878.0	95.0	118.0	6.2
F72N WV	1661.0	1539.0	1463.0	1631.0	1944.5	1808.5	1097.3	700.0	95.0	118.0	6.9
F84N WV	1891.0	1783.0	1707.0	1861.0	2102.0	1966.0	1280.2	675.0	95.0	118.0	7.7
F100N WV	2224.0	2108.0	2032.0	2194.0	2168.0	2032.0	1524.0	497.0	95.0	118.0	9.0
F120N WV	2629.0	2514.0	2438.0	2599.0	2557.0	2413.0	1828.8	1086.0	100.0	126.0	13.3
F135N WV	2925.0	2819.0	2743.0	2895.0	2785.6	2641.6	2057.4	1086.0	100.0	126.0	18.0
F150N WV	3235.0	3124.0	3048.0	3205.0	3014.2	2870.2	2286.0	960.0	100.0	126.0	19.3
F80N WH	1958.0	1847.0	1771.0	1928.0	2020.7	1884.7	995.7	878.0	95.0	118.0	7.7
F84N WH	2041.0	1936.0	1860.0	2011.0	2071.5	1935.5	1046.5	878.0	95.0	118.0	8.7
F100N WH	2401.0	2290.0	2214.0	2371.0	2091.8	1955.8	1244.6	700.0	95.0	118.0	9.1
F120N WH	2845.0	2733.0	2657.0	2815.0	2221.7	2077.7	1493.5	1086.0	100.0	126.0	15.5
F135N WH	3177.0	3065.0	2989.0	3147.0	2409.7	2265.7	1681.5	1086.0	100.0	126.0	18.5
F150N WH	3510.0	3397.0	3321.0	3480.0	2595.1	2451.1	1866.9	1086.0	100.0	126.0	20.2
Unit: Inch											
Model	Case Length (A)	Screen Width (A1)	View Width (A2)	Upper Scroll Bar Length (A3)	Overall Height (B)	Screen Height (B1)	View Height (B2)	B3	Case Height (D)	Case Width (C)	N.W. (LBS)
F60N WV	55.5	51.0	48.0	54.3	78.4	73.0	36.0	34.6	3.7	4.6	13.6
F72N WV	65.4	60.6	57.6	64.2	76.6	71.2	43.2	27.6	3.7	4.6	15.1
F84N WV	74.4	70.2	67.2	73.3	82.8	77.4	50.4	26.6	3.7	4.6	17.0
F100N WV	87.6	83.0	80.0	86.4	85.4	80.0	60.0	19.6	3.7	4.6	19.8
F120N WV	103.5	99.0	96.0	102.3	100.7	95.0	72.0	42.8	3.9	5.0	29.3
F135N WV	115.2	111.0	108.0	114.0	109.7	104.0	81.0	42.8	3.9	5.0	39.6
F150N WV	127.4	123.0	120.0	126.2	118.7	113.0	90.0	37.8	3.9	5.0	42.4
F80N WH	77.1	72.7	69.7	75.9	79.6	74.2	39.2	34.6	3.7	4.6	16.9
F84N WH	80.4	76.2	73.2	79.2	81.6	76.2	41.2	34.6	3.7	4.6	19.1
F100N WH	94.5	90.2	87.2	93.3	82.4	77.0	49.0	27.6	3.7	4.6	20.0
F120N WH	112.0	107.6	104.6	110.8	87.5	81.8	58.8	42.8	3.9	5.0	34.1
F135N WH	125.1	120.7	117.7	123.9	94.9	89.2	66.2	42.8	3.9	5.0	40.7
F150N WH	138.2	133.7	130.7	137.0	102.2	96.5	73.5	42.8	3.9	5.0	44.4

*Measurement dimensions are intended as a reference only and subject to change without notice. Note: Data Error may be ±1"



Warranty Policy

- **Two (2) year** parts and labor warranty from defects in workmanship from purchase date as follows (except for refurbished units as specified below):
- Each party will be responsible for one way shipping during the warranty period. Elite Screens **is not** responsible for applicable International tariffs such as broker fees and custom duties.
- **A RMA (Return Merchandise Authorization) number** must be issued in order to process a replacement or to authorize a return for warranty repair. Elite Screens will, at its sole option, replace or repair the defective unit with a replacement *(see exceptions below) after the defective unit is received. Once the product is received, Elite Screens will send out a replacement *unit to the customer by ground service (subject to inventory availability). **Please do not return any unauthorized items to Elite Screen, as they will be refused and returned at your expense. The RMA number must be included on the outside label of your shipping box. Our warehouse is not authorized to accept returns without an RMA number on the shipping label. RMA numbers are valid for 45 days from the date of issue.**
- **Missing Parts** must be reported within 7-days of receipt. If reported after 7 days, customer will only be responsible for shipping and handling fees. If reported after 30 days of receipt, customer is responsible for cost of the parts and shipping & handling fees.

*A new or refurbished replacement will be sent out to the customer depending on the type of purchase (new or refurbished) or based on stock availability.

North America only: U.S. and Canada

For Warranty and Service requests please fill out a RMA /Service Form at <http://www.elitescreens.com/warrantysupportform>

Please Visit this link for full Warranty information:
<http://www.elitescreens.com/warranty>

Remember to register your Elite Screens product at:
www.elitescreens.com/register

Contact Info:

US & Canada Tech Support & Warranty Claim

Please contact us at service@elitescreens.com or call +1 877-511-1211 #3 Service

Europe Tech Support & Warranty Claim

Please contact us at service@elitescreens.eu or call +49-(0) 40-30392958

Asia Tech Support & Warranty Claim

Please contact us at service@elitescreens.com.cn or call +86-(0) 755-8461-7989

Taiwan Tech Support & Warranty Claim

Please contact us at service@elitescreens.com.tw or call +886-(02) 2747-8979

America:

Elite Screens Inc

16410 Manning Way

Cerritos, CA 90703 USA

Tel: +1-562-483-8198 (877-511-1211)

Fax: +1-562-483-8498

info@elitescreens.com

www.elitescreens.com

Asia:

Elite Screens China Corp.

Longxi Duimianling Industry Zone Longcheng

Longgang District,

ShenZhen GuangDong, China

Tel: +86-(0)755-8461-7989

Fax: +86-(0)755-8461-7669

info@elitescreens.com.cn

www.elitescreens.com.cn

Taiwan:

Elite Screens Taiwan Co. Ltd.

No.38, Alley 22, Lane 66, Sec. 5

Nanjing E. Rd., Songshan District

Taipei City 105, Taiwan (R.O.C)

Tel: +886-(02)2747-8979

Fax: +886-(02)2747-8978

info@elitescreens.com.tw

www.elitescreens.com.tw

Europe:

Elite Screens Europe GmbH

Lübecker Straße 1

22087 Hamburg, Germany

Tel: +49-40-30392494

Fax: +49-40-49219200

info@elitescreens.eu

www.elitescreens.eu

Elite Screens France S.A.S

11, Allée William Penn

92150 Suresnes, France

Tel: +33-1-45064735

Fax: +33-1-45064735

pascale.dautemer@elitescreens.com

Latin America Contact:

info.la@elitescreens.com

East Asia Contact:

info.ea@elitescreens.com

India Contact:

info.india@elitescreens.com

Japan Contact:

info.japan@elitescreens.com